

Gas density monitor, model GDM-100

EN

Gasdichtewächter, Typ GDM-100

DE

Densimètre pour gaz, type GDM-100

FR

Densímetro, modelo GDM-100

ES



Gas density monitor with optional recalibration valve

EN	Operating instructions model GDM-100	Page	3 - 24
DE	Betriebsanleitung Typ GDM-100	Seite	25 - 46
FR	Mode d'emploi type GDM-100	Page	47 - 70
ES	Manual de instrucciones modelo GDM-100	Página	71 - 92

© 08/2018 WIKA Alexander Wiegand SE & Co. KG
 All rights reserved. / Alle Rechte vorbehalten.
 WIKA® is a registered trademark in various countries.
 WIKA® ist eine geschützte Marke in verschiedenen Ländern.

Prior to starting any work, read the operating instructions!
 Keep for later use!

Vor Beginn aller Arbeiten Betriebsanleitung lesen!
 Zum späteren Gebrauch aufbewahren!

Lire le mode d'emploi avant de commencer toute opération !
 A conserver pour une utilisation ultérieure !

¡Leer el manual de instrucciones antes de comenzar cualquier trabajo!
 ¡Guardar el manual para una eventual consulta!

Contents

1. General information	4
2. Design and function	5
3. Safety	6
4. Transport, packaging and storage	11
5. Commissioning, operation	12
6. Faults	16
7. Maintenance, cleaning and recalibration	17
8. Dismounting, return and disposal	19
9. Specifications	20
10. Accessories	24

1. General information

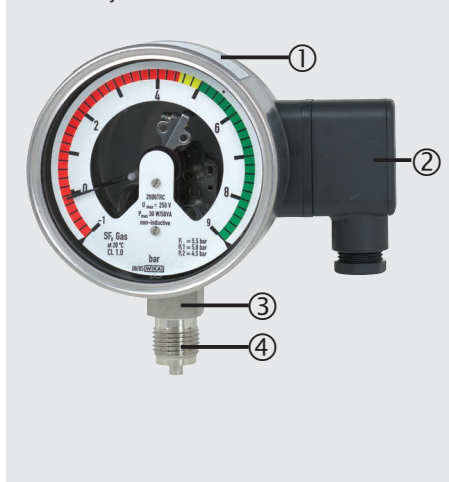
EN

- The instrument described in the operating instructions has been designed and manufactured using state-of-the-art technology. All components are subject to stringent quality and environmental criteria during production. Our management systems are certified to ISO 9001 and ISO 14001.
- These operating instructions contain important information on handling the instrument. Working safely requires that all safety instructions and work instructions are observed.
- Observe the relevant local accident prevention regulations and general safety regulations for the instrument's range of use.
- The operating instructions are part of the product and must be kept in the immediate vicinity of the instrument and readily accessible to skilled personnel at any time. Pass the operating instructions on to the next operator or owner of the instrument.
- Skilled personnel must have carefully read and understood the operating instructions prior to beginning any work.
- The general terms and conditions contained in the sales documentation shall apply.
- Subject to technical modifications.
- Further information:
 - Internet address: www.wika.de / www.wika.com
 - Relevant data sheets:
 - SP 60.02 Model GDM-100
 - SP 61.16 Model GLTC-CV
 - Application consultant: Tel.: +49 9372 132-0
Fax: +49 9372 132-406
info@wika.com

2. Design and function

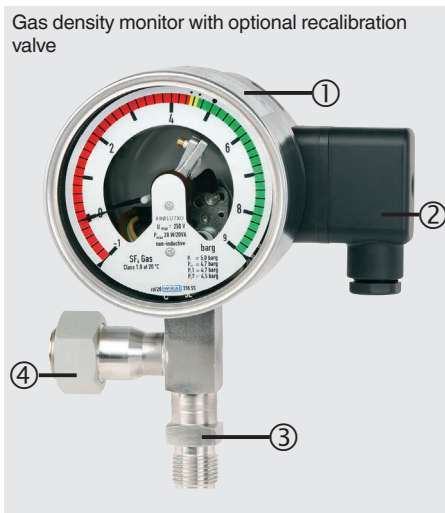
2.1 Overview

Gas density monitor



- ① Product label
- ② Electrical connection, cable socket
- ③ Process connection, spanner flats
- ④ Process connection, thread

Gas density monitor with optional recalibration valve



- ① Product label
- ② Electrical connection, cable socket
- ③ Process connection (gas compartment)
- ④ Test connection (calibration pressure)

EN

2.2 Description

Switch contacts

The switch contacts permanently installed in the gas density monitor close or open at set limit values, depending on the switching function. Switching functions are: Normally closed, normally open, change-over contact.

The magnetic snap-action contacts are control switches which open or close connected electric circuits via a contact arm which is moved by the instrument pointer.

Optional recalibration valve

With regard to switchgear safety, asset protection and environmental protection, it is common to perform functional checks of the measuring instruments on a regular basis.

EN

Article 5 of EU regulation No. 517/2014 on fluorinated greenhouse gases, provides for checking of the leakage detection system at least every 6 years if it contains more than 22 kg SF₆ gas and the plant was commissioned after 01 January 2017.

With the help of the optional, permanently welded recalibration valve, the gas density monitor can be shut off from the process and recalibrated without having to disassemble it. This not only reduces maintenance time but also minimises the risks of SF₆ gas emissions and potential leakages during recommissioning.

When connecting a test instrument (e.g. model ACS-10 or model BCS-10) to the recalibration valve, the gas density monitor is automatically disconnected from the gas compartment and a recalibration can be performed. The test instrument can then be disconnected from the recalibration valve and the connection to the gas compartment is re-established automatically.

The recalibration valve is also available as a retrofit solution for gas density monitors and other leakage detection systems already installed in the field, as model GLTC-CV, and can be mounted between the gas compartment and gas density monitor.

2.3 Scope of delivery

Cross-check scope of delivery with delivery note.

3. Safety

3.1 Explanation of symbols



WARNING!

... indicates a potentially dangerous situation that can result in serious injury or death, if not avoided.



CAUTION!

... indicates a potentially dangerous situation that can result in light injuries or damage to property or the environment, if not avoided.



Information

... points out useful tips, recommendations and information for efficient and trouble-free operation.

3.2 Intended use

Wherever the gas density of SF₆ gas has to be indicated locally and, at the same time, circuits need to be switched, the model GDM-100 gas density monitor finds its use. Gas density monitors are modified contact pressure gauges, specially developed for the use of SF₆ gas. Temperature influences acting on the enclosed SF₆ gas are compensated by a compensation system.

The gas density monitors are specially designed for the respective application in switchgear (pure SF₆ gas, gas mixtures, calibration pressure, switch points ...). Before use, check whether this instrument is suitable for the intended application.

The insulation values (air gaps and creepage distances) are sized for the following ambient conditions in accordance with EN 61010-1:2010:

- Altitude up to 2,000 m
- Overvoltage category II
- Pollution degree 2
- Relative humidity: 0 ... 95 % non-condensing (per DIN 40040)
- The strength of the measuring instrument (enclosing non-metal parts) was tested with a reduced impact energy of 2 J corresponding to IK07 per EN 61010-1:2010. The IK code is included on the respective product label.

Only use the instrument in applications that lie within its technical performance limits (e.g. max. ambient temperature, material compatibility, ...).

→ For performance limits see chapter 9 “Specifications”.

This instrument is not permitted to be used in hazardous areas!

The instrument has been designed and built solely for the intended use described here, and may only be used accordingly.

The technical specifications contained in these operating instructions must be observed. Improper handling or operation of the instrument outside of its technical specifications requires the instrument to be taken out of service immediately and inspected by an authorised WIKA service engineer.

The manufacturer shall not be liable for claims of any type based on operation contrary to the intended use.

3.3 Improper use



WARNING!

Injuries through improper use

Improper use of the instrument can lead to hazardous situations and injuries.

- ▶ Refrain from unauthorised modifications to the instrument.
- ▶ Do not use the instrument within hazardous areas.

Any use beyond or different to the intended use is considered as improper use.

3.4 Responsibility of the operator

The instrument is used in the industrial sector. The operator is therefore responsible for legal obligations regarding safety at work.

The safety instructions within these operating instructions, as well as the safety, accident prevention and environmental protection regulations for the application area must be maintained.

The operator is obliged to maintain the product label in a legible condition.

To ensure safe working on the instrument, the operating company must ensure

- that suitable first-aid equipment is available and aid is provided whenever required.
- that the operating personnel are regularly instructed in all topics regarding work safety, first aid and environmental protection and know the operating instructions and, in particular, the safety instructions contained therein.
- that the instrument is suitable for the particular application in accordance with its intended use.
- that personal protective equipment is available.

3.5 Personnel qualification



WARNING!

Risk of injury should qualification be insufficient

Improper handling can result in considerable injury and damage to property.

- ▶ The activities described in these operating instructions may only be carried out by skilled personnel who have the qualifications described below.

Skilled personnel

Skilled personnel, authorised by the operator, are understood to be personnel who, based on their technical training, knowledge of measurement and control technology and on their experience and knowledge of country-specific regulations, current standards and directives, are capable of carrying out the work described and independently recognising potential hazards.

Specifically when using SF₆ gas

The plant operator must ensure that the handling of SF₆ gas is only carried out by a qualified company or by qualified persons who have been specially trained in accordance with IEC 61634, section 4.3.1 or IEC 60480, section 10.3.1.

3.6 Personal protective equipment

The personal protective equipment is designed to protect the skilled personnel from hazards that could impair their safety or health during work. When carrying out the various tasks on and with the instrument, the skilled personnel must wear personal protective equipment.

Follow the instructions displayed in the work area regarding personal protective equipment!

The requisite personal protective equipment must be provided by the operating company.



Safety goggles in accordance with EN 166, class 2, mechanical strength class S

Safety goggles must be worn during the entire period when working on hoses or gas containers (e.g. gas cylinders, tanks).

The safety goggles protect the eyes from any flying particles, escaping gas and liquid splashes.



Protective gloves against heat in accordance with EN ISO 13732-1 and against cold in accordance with EN ISO 13732-3

The protective gloves must be worn over the entire period when working on hoses, gas containers (e.g. gas cylinders, tanks) or components which heat up to over 60 °C [140 °F].

3.7 Handling of insulating gases and gas mixtures

SF₆ gas is a greenhouse gas which is listed in the Kyoto Protocol. SF₆ gas must not be released into the atmosphere, but must be collected in suitable containers.

Properties of insulating gases

- Colourless and odourless
- Chemically neutral
- Inert
- Not flammable
- Heavier than air
- No toxicity
- No damage to the ozone layer

Detailed information is given in IEC 60376 and IEC 61634.

Danger of suffocation caused by insulating gases and gas mixtures

High concentrations of gases can lead to asphyxiation, since breathable air is displaced from the lungs with the inhalation of gas.

Since SF₆ gas is heavier than air, it collects, especially, at ground level or lower-lying rooms below the reference level (e.g. cellars). This is particularly dangerous since SF₆ gas is colourless and odourless and thus may be imperceptible to people.

EN

3.8 Danger caused by decomposition products

Insulating gas in electrical systems may contain decomposition products generated by electric arcs:

- Gaseous sulphur fluorides
- Sulphur hexafluorides
- Solid and atomized metal fluorides, metal sulphides, metal oxides
- Hydrogen fluoride
- Sulphur dioxide

Decomposition products can be harmful to health.

- They can cause poisoning by inhalation, ingestion or contact with the skin.
- They may be irritating to the eyes, the respiratory system or the skin and burn them.
- Inhalation of large quantities may damage the lungs.

Observe the following safety instructions in order to avoid danger from insulating gas:

- Wear personal protective equipment.
- Read the material safety data sheet of the gas supplier.
- With large leakage, evacuate the area quickly.
- Ensure good ventilation.
- Ensure the leak tightness of the equipment with a leak detector (e.g. model GIR-10).

3.9 Applicable standards and directives for installation, assembly, commissioning:

- BGI 753 (SF₆ plants and equipment in Germany)
- IEC 61634 (Handling of SF₆ gas)
- IEC 60376 (New SF₆ gas, technical grade SF₆ gas)
- IEC 60480 (Used SF₆ gas)
- CIGRE report 276, 2005 (Practical SF₆ gas handling instructions)

Leakages during operation:

- IEC 60376 (New SF₆ gas, technical grade SF₆ gas)
- IEC 60480 (Used SF₆ gas)
- CIGRE 2002 ("SF₆ gas in the electrical industry")



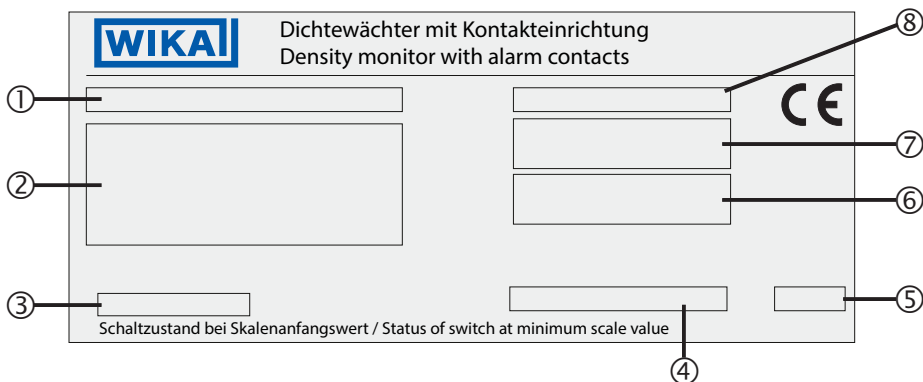
SF₆ is a colourless and odourless, chemically neutral, inert and non-flammable gas which is approx. five times heavier than air, non-toxic and not harmful to the ozone layer.

Detailed information is given in IEC 60376 and IEC 61634.

3. Safety / 4. Transport, packaging and storage

3.10 Labelling, safety marks

Product label (example)



EN

- ① Model designation
- ② Pin assignment
- ③ Case filling
- ④ P# product number
- ⑤ Date of manufacture
- ⑥ Switching thresholds
- ⑦ Electrical characteristics
- ⑧ Model designation of the switch contact

4. Transport, packaging and storage

4.1 Transport

Check the instrument for any damage that may have been caused by transport. Obvious damage must be reported immediately.



CAUTION!

Damage through improper transport

With improper transport, a high level of damage to property can occur.

- ▶ When unloading packed goods upon delivery as well as during internal transport, proceed carefully and observe the symbols on the packaging.
- ▶ With internal transport, observe the instructions in chapter 4.2 "Packaging and storage".

4.2 Packaging and storage

Do not remove packaging until just before mounting.

Keep the packaging as it will provide optimum protection during transport (e.g. change in installation site, sending for repair).

EN



WARNING!

Physical injuries and damage to property and the environment caused by hazardous decomposition products

Before storing the instrument, any residual decomposition products must be removed.

► For cleaning, see chapter 7.2 “Cleaning”

Permissible conditions at the place of storage:

- Storage temperature: -50 ... +60 °C [-58 ... +140 °F]
- Humidity: ≤ 90 % r. h. (non-condensing)

Avoid exposure to the following factors:

- Soot, vapour, dust and corrosive gases
- Hazardous environments, flammable atmospheres

Store the instrument in its original packaging in a location that fulfils the conditions listed above. If the original packaging is not available, pack and store the instrument as described below:

1. Place the instrument, along with the shock-absorbent material, in the packaging.
2. If stored for a prolonged period of time (more than 30 days), place a bag containing a desiccant inside the packaging.

5. Commissioning, operation

5.1 Mechanical mounting



CAUTION!

Physical injuries and damage to property and the environment through faulty instrument

Prior to commissioning, the instrument must be subjected to a visual inspection. Only use the instrument if it is in perfect condition with respect to safety.

5.1.1 Requirements for the installation point

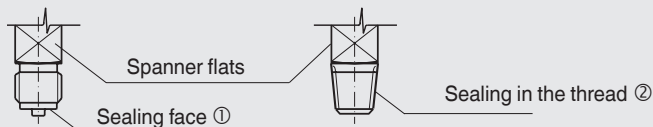
- For outdoor applications, the selected installation location has to be suitable for the specified ingress protection, so that the instrument is not exposed to impermissible weather conditions.
- The sealing faces at the instrument and at the measuring location have to be undamaged and clean.

5.1.2 Installation

- With transport or storage, it can occur that gas density monitors warm up or cool down and this results in pointer movements. These pointer movements are caused by the compensation system. To make sure that the instruments have adapted sufficiently to ambient temperature, at least 2 hours at 20 °C [68 °F] must be allowed for adaptation to the temperature. Then, in the depressurised state, the pointer will sit within the tolerance bar.
- Corresponding to the general technical rules for pressure gauges (e.g. EN 837-2 “Selection and installation recommendations for pressure gauges”) when screwing in the instrument, the force required to do this must not be applied through the case, but only through the spanner flats provided for this purpose and using a suitable tool.
- When screwing in, do not tilt the threads.

For parallel threads, use flat gaskets, lens-type sealing rings or WIKA profile sealings at the sealing face ①. With tapered threads (e.g. NPT threads), sealing is made in the threads ②, using a suitable sealing material (EN 837-2).

The tightening torque depends on the sealing used. In order to orientate the measuring instrument so that it can be read as well as possible, a connection with LH-RH adjusting nut or union nut should be used. When a blow-out device is fitted to an instrument, it must be protected against being blocked by debris and dirt.



5.1.3 Temperature load

The installation of the instrument should be made in such a way that the operating temperature, also considering the effects of convection and thermal radiation, neither exceeds nor falls below the permissible limits.

The influence of temperature on the indication and measurement accuracy must be observed.

5.2 Electrical mounting

- The instrument must be grounded via the process connection.
- For cable outlets, make sure that no moisture enters at the cable end.
- Select a cable diameter that matches the cable bushing of the connector. Make sure that the cable gland of the mounted connector has a tight fit and that the seals are present and undamaged. Tighten the threaded connection and check that the sealing is correctly seated, in order to ensure the ingress protection.
- Connection details and switching functions are given on the product label. Connection terminals and ground terminal are appropriately marked.

5. Commissioning, operation

5.2.1 Limit values for the contact load with resistive load

	Gas-filled instruments	Liquid-filled instruments
Maximum rated operating voltage U_{eff}	AC 250 V	AC 250 V
Rated operating current		
Switch-on current	1 A	1 A
Switch-off current	1 A	1 A
Continuous current	0.6 A	0.6 A
Maximum switching power	30 W, 50 VA	20 W, 20 VA

Do not exceed the limit values. In order to permanently ensure safe operation, the following load values are recommended:

Voltage (per IEC 38)	Gas-filled instruments			Liquid-filled instruments		
	Resistive load		Inductive load	Resistive load		Inductive load
DC/AC	DC	AC	$\cos \varphi > 0.7$	DC	AC	$\cos \varphi > 0.7$
230 V	100 mA	120 mA	65 mA	65 mA	90 mA	40 mA
110 V	200 mA	240 mA	130 mA	130 mA	180 mA	85 mA
48 V	300 mA	450 mA	200 mA	190 mA	330 mA	130 mA
24 V	400 mA	600 mA	250 mA	250 mA	450 mA	150 mA

The switching current must not be less than 20 mA with low voltages for switching reliability reasons.



For higher loads, and for instruments with liquid-filled cases, WIKA model 905.1X contact protection relays are recommended.

Overcurrent protectors

The instruments do not provide for incorporated overcurrent protectors. Should protectors be required, the following values in accordance with EN 60947-5-1 are to be recommended.

- Voltage 24 V: 2 A
- Voltage 250 V: 1 A

5.2.2 Contact protection measures

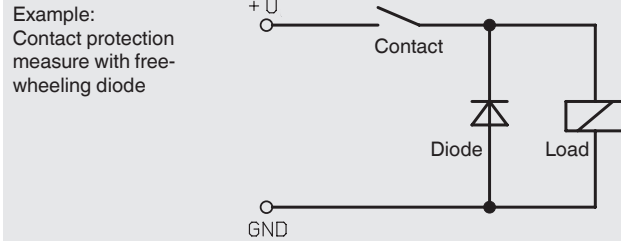
Mechanical contacts must not exceed the specified electrical values for switching current, switching voltage and switching power independent of each other, not even for a short time only.

5. Commissioning, operation

For capacitive or inductive loads we recommend one of the following protective circuits:

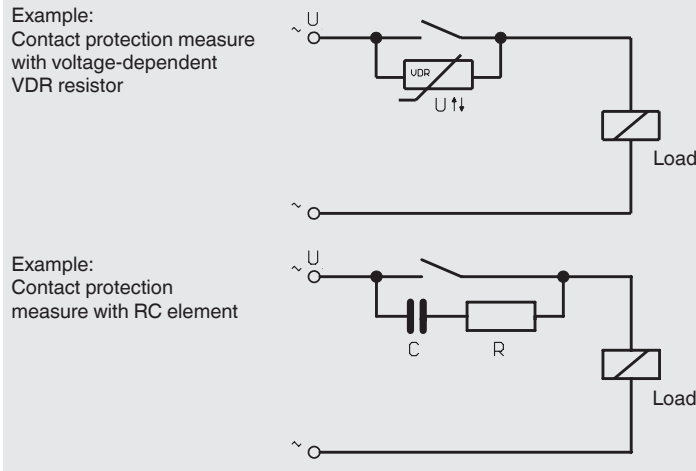
Inductive load with DC voltage

With DC voltage the contact protection can be achieved via a free-wheeling diode, connected in parallel to the load. The polarity of the diode must be arranged so that it closes when the operating voltage is on.



Inductive load with AC voltage

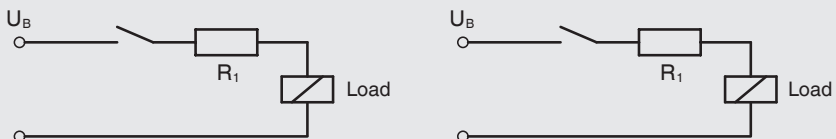
With AC voltage two protective measures are possible:



Capacitive load

With capacitive loads elevated switch-on currents arise. These can be reduced by series-connecting resistors in the supply line.

Examples: Contact protection measure with current-limiting resistor



5.3 Switch point setting

The switch points have a fixed setting as standard and cannot be adjusted. Thus, an undesired adjustment of the switch points is excluded.

EN

With customer-specific, adjustable switch points, with the accompanying adjustment key, the desired set point can be set via the adjustment lock in the window.



6. Faults



CAUTION!

Physical injuries and damage to property and the environment

If faults cannot be eliminated by means of the listed measures, the instrument must be taken out of operation immediately.

- ▶ Ensure that pressure or signal is no longer present and protect against accidental commissioning.
- ▶ Contact the manufacturer.
- ▶ If a return is needed, please follow the instructions given in chapter 9.2 “Return”.



For contact details see chapter 1 “General information” or the back page of the operating instructions.

Faults	Causes	Measures
Contact is no longer switching in accordance with the specification	Electrical connection is interrupted	Carry out a continuity test on the electrical connection leads
	Electrical load unsuitable for the switch contact model	Maintain the permissible electrical loads for the switch contact model
	Contact contaminated	

Faults	Causes	Measures
Switching status remains unchanged despite reaching the switch point/ reset point	Contacts defective (e.g. fused contact zone)	Replace instrument. Before recommissioning the new instrument, provide a protective circuit for the contact
No pointer movement despite change in pressure	Movement blocked	Replace instrument
Pointer movement, even though depressurised	Warming or cooling of the measuring instrument (no damage)	Let the instrument settle for 2 hours at 20 °C [68 °F]

For claims, the serial and product numbers must be stated. The serial number is printed on the dial, the product number on the product label. With claims, the atmospheric pressure and the temperature during the measurement must be given, as well as the data on the reference standard (model, class).

7. Maintenance, cleaning and recalibration

7.1 Maintenance

These gas density monitors are maintenance-free.

The indicator and switching function should be checked once or twice every year. For this the instrument must be disconnected from the gas compartment to check with a pressure testing device.

Repairs must only be carried out by the manufacturer.

The instruments must not be opened, since this can lead to indication and switch point errors.

7.2 Cleaning



CAUTION!

Physical injuries and damage to property and the environment

Improper cleaning may lead to physical injuries and damage to property and the environment. Decomposition products in the dismantled instrument can result in a risk to persons, the environment and equipment.

► Carry out the cleaning process as described below.

1. Before cleaning, correctly disconnect the instrument from the pressure supply and switch off the current.
2. Use the requisite protective equipment.
3. Clean the instrument with a moist cloth.
Electrical connections must not come into contact with moisture!



CAUTION!

Damage to the instrument

Improper cleaning may lead to damage to the instrument!

- ▶ Do not use any aggressive cleaning agents.
- ▶ Do not use any hard or pointed objects for cleaning.

EN

4. Wash or clean the dismantled instrument, in order to protect people and the environment from exposure to residual decomposition products.



Information on returns can be found under the heading "Service" on our local website.

7.3 Calibration

With regard to switchgear safety, asset protection and environmental protection, it is common to perform functional checks of the measuring instruments on a regular basis. Article 5 of EU regulation No. 517/2014 on fluorinated greenhouse gases, provides for checking of the leakage detection system at least every 6 years if it contains more than 22 kg SF₆ gas and the plant was commissioned after 01 January 2017. With the help of the optional, permanently welded recalibration valve, the gas density monitor can be shut off from the process and recalibrated without having to disassemble it. This not only reduces maintenance time but also minimises the risks of SF₆ gas emissions and potential leakages during recommissioning.

When connecting a test instrument (e.g. model ACS-10 or model BCS-10) to the recalibration valve, the gas density monitor is automatically disconnected from the gas compartment and a recalibration can be performed. The test instrument can then be disconnected from the recalibration valve and the connection to the gas compartment is re-established automatically.

The recalibration valve is also available as a retrofit solution for gas density monitors and other leakage detection systems already installed in the field, as model GLTC-CV, and can be mounted between the gas compartment and gas density monitor.

Calibration of the gas density monitor with test connection and shut-off valve



CAUTION!

Discontinuity in the monitoring function

During calibration, the gas density monitor must be isolated from the gas compartment being monitored. In the event of a leakage, no alarm will be able to be given.

- ▶ After calibration, remove the recalibration instrument used (e.g. model ACS-10 or BCS-10) from the calibration connection again.

Tightening torque, test connection: 40 Nm ±10 %

1. Connect the test gas and test standard with the test connection.
 - Gas density monitor is isolated from the gas compartment.
2. Make the calibration.
3. Isolate the test gas and test standard from the test connection.
 - Gas density monitor is connected to the gas compartment.

8. Dismounting, return and disposal

8.1 Dismounting



WARNING!

Physical injuries and damage to property and the environment caused by hazardous decomposition products

Upon contact with hazardous decomposition products, there is a danger of physical injuries and damage to property and the environment.

- ▶ Wear the requisite protective equipment (see chapter 3.6 “Personal protective equipment”).

Before dismantling the instrument, evacuate the gas filling.

Only dismount the instrument when it is depressurised and free from current.

8.2 Return



WARNING!

Strictly observe the following when shipping the instrument:

All instruments delivered to WIKA must be free from any kind of hazardous substances (e.g. decomposition products) and must therefore be cleaned before being returned.

When returning the instrument, use the original packaging or a suitable transport packaging.

To avoid damage:

1. Place the instrument, along with the shock-absorbent material, in the packaging.
Place shock-absorbent material evenly on all sides of the transport packaging.
2. If possible, place a bag containing a desiccant inside the packaging.



Information on returns can be found under the heading “Service” on our local website.

8.3 Disposal

Incorrect disposal can put the environment at risk.

Dispose of instrument components and packaging materials in an environmentally compatible way and in accordance with the country-specific waste disposal regulations.

EN

9. Specifications

Specifications	
Nominal size	100
Calibration pressure P_E	To customer specification
Accuracy specifications	$\pm 1\%$ at an ambient temperature of 20 °C [68 °F] $\pm 2.5\%$ at an ambient temperature of -20 ... +60 °C [-4 ... +140 °F] and with calibration pressure in accordance with reference isochore (reference diagram KALI-Chemie AG, Hanover, prepared by Dr. Döring 1979)
Scale range	Vacuum and overpressure range with measuring span of 1.6 ... 25 bar (at an ambient temperature of 20 °C [68 °F] and gaseous phase)
Permissible ambient temperature	
Operation	-20 ... +60 °C [-4 ... +140 °F], gaseous phase
Storage	-50 ... +60 °C [-58 ... +140 °F]
Process connection	G ½ B per EN 837, lower mount Stainless steel, spanner flats 22 mm
Pressure element	Stainless steel, welded Gas-tight: Leakage rate $\leq 1 \cdot 10^{-8}$ mbar · l / s Test method: Helium mass spectrometry
Movement	Stainless steel Bimetal link (temperature compensation)
Dial	Aluminium The scale range is subdivided into red, yellow and green ranges
Pointer	Aluminium, black
Case	Stainless steel Gas-tight: Leakage rate $\leq 1 \cdot 10^{-5}$ mbar · l / s
Window	Laminated safety glass or clear non-splintering plastic
Ring	Bayonet ring, stainless steel, secured by means of 3 welding spots
Permissible air humidity	$\leq 90\%$ r. h. (non-condensing)
Ingress protection	IP65 per IEC60529

9. Specifications

EN

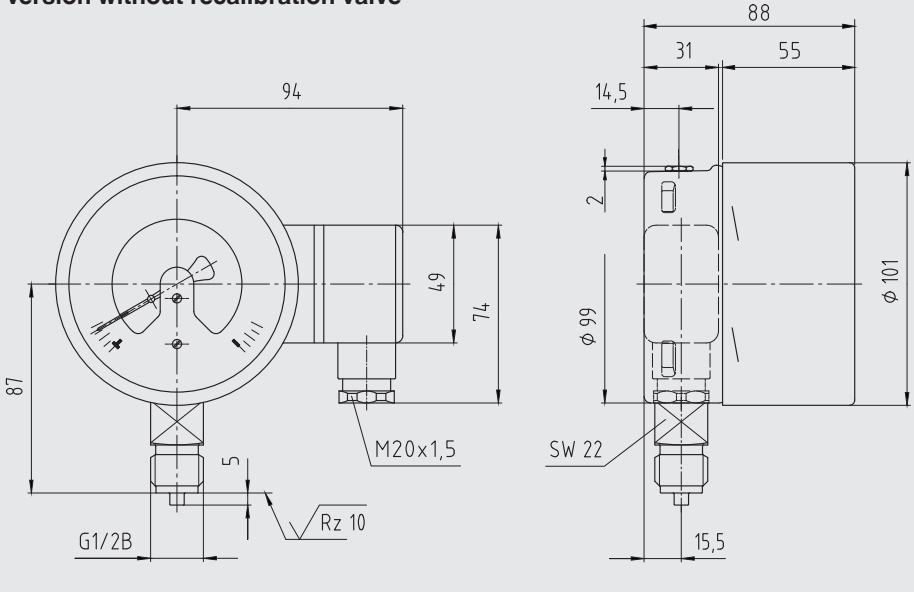
Specifications	
Weight	
With gas filling	Approx. 0.8 kg
With fill fluid	Approx. 1.2 kg
High-voltage test 100 %	2 kV, 50 Hz, 1 s
Electrical connection	Cable socket with compression fitting M20 x 1.5 Wire cross-section max. 2.5 mm ²
Number of switch contacts	1 ... 3 magnetic snap-action contacts
Switching directions	Falling pressure or rising pressure
Switching functions	Normally open, normally closed or change-over contact
Circuits	Galvanically connected (not for change-over contact) or galvanically isolated
Switching accuracy	
Switch point = calibration pressure P_E	See accuracy specifications
Switch point \neq calibration pressure P_E	Parallel to the reference isochore of the calibration pressure
Max. switching voltage	AC 250 V
Switching power	With gas filling: 30 W / 50 VA, max. 1 A With fill fluid: 20 W / 20 VA, max. 1 A
Material of switch contacts	80 % Ag / 20 % Ni, gold-plated
Calibration valve	
Weld seams	Qualified in accordance with DIN EN ISO 15613 in combination with DIN EN ISO 15614-1 and DIN EN ISO 15614-12 by the notified body TÜV Süd
Tightening torque test connection	40 Nm \pm 10 %
Gas-tight	Leakage rate $\leq 1 \cdot 10^{-8}$ mbar · l/s

For further specifications, see the order documentation.

9. Specifications

Dimensions in mm

Version without recalibration valve



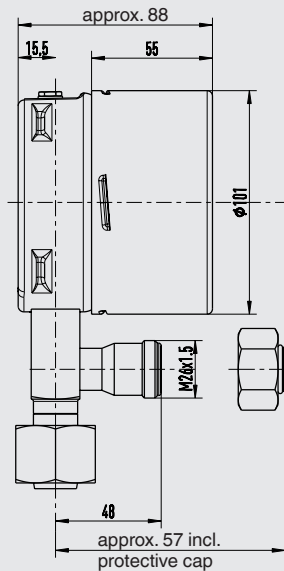
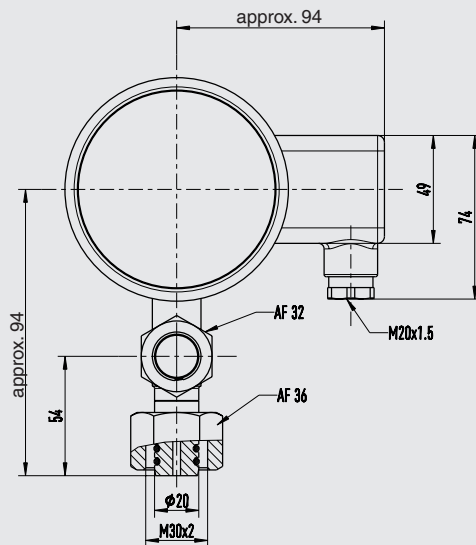
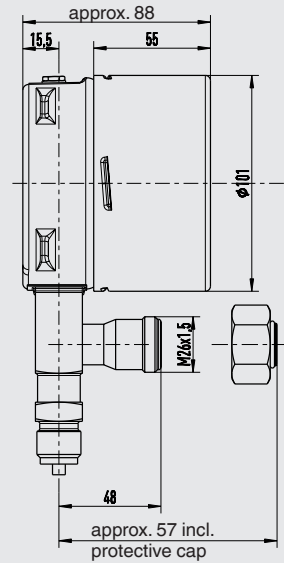
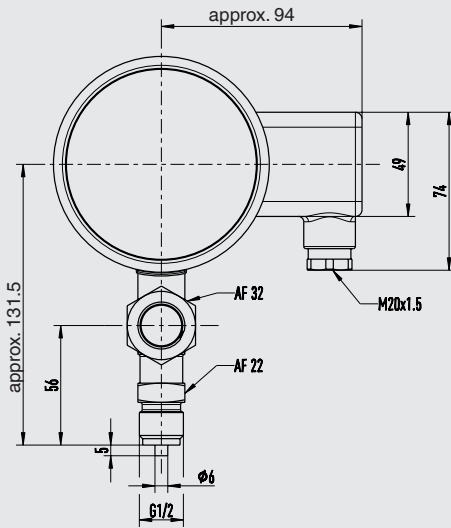
9. Specifications

Version with calibration valve

Any arrangement of the test valve possible


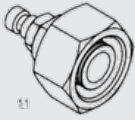
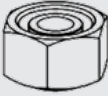

Other process connections on request

EN



10. Accessories

EN

Description	Order number
 <p>Recalibration valve for retrofitting to gas density monitors and other leakage detection systems already installed in the field, model GLTC-CV Any arrangement of the test valve possible Other process connections on request</p>	See WIKA data sheet SP 61.16
 <p>Adapter from test connection (M26 x 1.5) to quick coupling</p>	14146937
 <p>Protective cap for test connection (M26 x 1.5)</p>	14193772
 <p>Calibration system for SF₆ gas density measuring instruments</p>	See WIKA data sheet SP 60.08

WIKA accessories can be found online at www.wika.com.

Inhalt

1. Allgemeines	26
2. Aufbau und Funktion	27
3. Sicherheit	28
4. Transport, Verpackung und Lagerung	33
5. Inbetriebnahme, Betrieb	34
6. Störungen	38
7. Wartung, Reinigung und Rekalibrierung	39
8. Demontage, Rücksendung und Entsorgung	41
9. Technische Daten	42
10. Zubehör	46

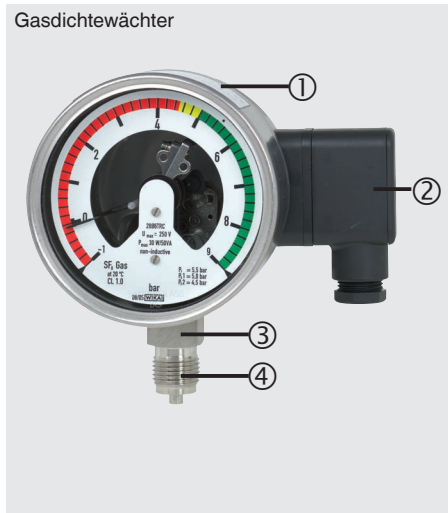
1. Allgemeines

- Das in der Betriebsanleitung beschriebene Gerät wird nach dem aktuellen Stand der Technik konstruiert und gefertigt. Alle Komponenten unterliegen während der Fertigung strengen Qualitäts- und Umweltkriterien. Unsere Managementsysteme sind nach ISO 9001 und ISO 14001 zertifiziert.
- Diese Betriebsanleitung gibt wichtige Hinweise zum Umgang mit dem Gerät. Voraussetzung für sicheres Arbeiten ist die Einhaltung aller angegebenen Sicherheitshinweise und Handlungsanweisungen.
- Die für den Einsatzbereich des Gerätes geltenden örtlichen Unfallverhütungsvorschriften und allgemeinen Sicherheitsbestimmungen einhalten.
- Die Betriebsanleitung ist Produktbestandteil und muss in unmittelbarer Nähe des Gerätes für das Fachpersonal jederzeit zugänglich aufbewahrt werden. Betriebsanleitung an nachfolgende Benutzer oder Besitzer des Gerätes weitergeben.
- Das Fachpersonal muss die Betriebsanleitung vor Beginn aller Arbeiten sorgfältig durchgelesen und verstanden haben.
- Es gelten die allgemeinen Geschäftsbedingungen in den Verkaufsunterlagen.
- Technische Änderungen vorbehalten.
- Weitere Informationen:
 - Internet-Adresse: www.wika.de / www.wika.com
 - zugehörige Datenblätter:
 - SP 60.02 Typ GDM-100
 - SP 61.16 Typ GLTC-CV
 - Anwendungsberater: Tel.: +49 9372 132-0
Fax: +49 9372 132-406
info@wika.de

2. Aufbau und Funktion

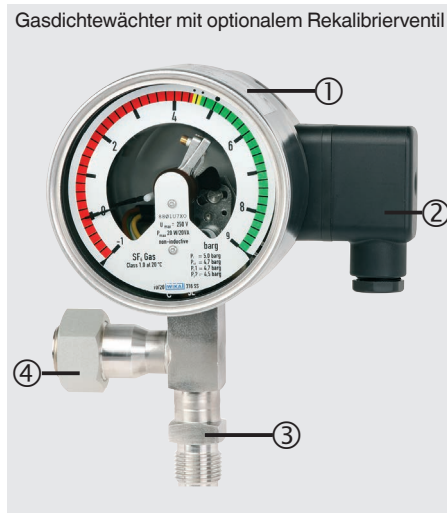
2.1 Überblick

Gasdichtewächter



- ① Typenschild
- ② Elektrische Anschluss, Kabeldose
- ③ Prozessanschluss, Schlüsselfläche
- ④ Prozessanschluss, Gewinde

Gasdichtewächter mit optionalem Rekalibrierventil



- ① Typenschild
- ② Elektrische Anschluss, Kabeldose
- ③ Prozessanschluss (Gasraum)
- ④ Prüfanschluss (Kalibrierdruck)

DE

2.2 Beschreibung

Schaltkontakte

Die im Gasdichtewächter fest eingebauten Schaltkontakte schließen oder öffnen bei eingestellten Grenzwerten je nach Schaltfunktion. Schaltfunktionen sind: Öffner, Schließer, Wechsler.

Die Magnetspringkontakte sind Hilfsstromschalter, die angeschlossene elektrische Stromkreise über einen vom Gerätezeiger bewegten Kontaktarm öffnen oder schließen.

Optionales Rekalibrierventil

In Bezug auf Schaltanlagensicherheit, Objektschutz und Umweltschutz ist es üblich, eine regelmäßige Funktionsprüfung der Messgeräte durchzuführen. Artikel 5 der EU-Verordnung Nr. 517/2014 über fluorierte Treibhausgase sieht eine Kontrolle des Leckage-Erkennungssystems rechtlich verpflichtend mindestens alle 6 Jahre vor, falls mehr als 22 kg SF₆-Gas enthalten sind und die Anlage nach dem 1. Januar 2017 in Betrieb genommen wurde.

DE

Mit Hilfe des optionalen fest angeschweißten Rekalibrierventiles kann der Gasdichtewächter vom Prozess abgesperrt und rekalibriert werden, ohne diesen demontieren zu müssen. Dies reduziert neben der Wartungszeit auch die Gefahr durch Emissionen von SF₆-Gas und mögliche Leckagen bei der Wiederinbetriebnahme. Beim Anschluss eines Prüfgerätes (z.B. Typ ACS-10 oder Typ BCS-10) an das Rekalibrierventil, wird der Gasdichtewächter automatisch vom Gasraum getrennt und es kann eine Rekalibrierung erfolgen. Anschließend kann das Prüfgerät vom Rekalibrierventil abgekoppelt werden und die Verbindung zum Gasraum wird wieder automatisch hergestellt.

Das Rekalibrierventil ist auch als Nachrüstlösung für bereits im Feld installierte Gasdichtewächter und andere Leckageerkennungssysteme als Typ GLTC-CV verfügbar und kann zwischen den Gasraum und Gasdichtewächter montiert werden.

2.3 Lieferumfang

Lieferumfang mit dem Lieferschein abgleichen.

3. Sicherheit

3.1 Symbolerklärung



WARNUNG!

... weist auf eine möglicherweise gefährliche Situation hin, die zum Tod oder zu schweren Verletzungen führen kann, wenn sie nicht gemieden wird.



VORSICHT!

... weist auf eine möglicherweise gefährliche Situation hin, die zu geringfügigen oder leichten Verletzungen bzw. Sach- und Umweltschäden führen kann, wenn sie nicht gemieden wird.



Information

... hebt nützliche Tipps und Empfehlungen sowie Informationen für einen effizienten und störungsfreien Betrieb hervor.

3.2 Bestimmungsgemäße Verwendung

Überall dort, wo die Gasdichte von SF₆-Gas vor Ort angezeigt werden muss und gleichzeitig Stromkreise geschaltet werden sollen, findet der Gasdichtewächter Typ GDM-100 seinen Einsatz.

Gasdichtewächter sind abgewandelte Kontaktmanometer, die speziell für die Verwendung von SF₆-Gas entwickelt wurden. Temperatureinflüsse die auf das eingeschlossene SF₆-Gas wirken, werden durch ein Kompensationssystem ausgeglichen.

Die Gasdichtewächter sind speziell für den jeweiligen Einsatzfall in der Schaltanlage ausgelegt (reines SF₆-Gas, Gasgemische, Eichdruck, Schaltpunkte...). Vor der Verwendung überprüfen, ob das vorliegende Gerät für den vorgesehenen Einsatzfall geeignet ist.

Die Isolationswerte (Luft -und Kriechstrecken) sind gemäß EN 61010-1:2010 für folgende Umgebungsbedingungen bemessen:

- Höhenlage bis 2.000 m
- Überspannungskategorie II
- Verschmutzungsgrad 2
- Relative Feuchte: 0 ... 95 % nicht betauend (nach DIN 40040)
- Die Festigkeit des Messgerätes (umhüllende, nicht metallische Teile) ist mit einer verringerten Schlagenergie von 2 J entsprechend IK07 gemäß EN 61010-1:2010 getestet worden. Der IK-Code ist dem jeweiligen Typenschild zu entnehmen.

Das Gerät nur in Anwendungen verwenden, die innerhalb seiner technischen Leistungsgrenzen liegen (z. B. max. Umgebungstemperatur, Materialverträglichkeit, ...).

→ Leistungsgrenzen siehe Kapitel 9 „Technische Daten“.

Dieses Gerät ist nicht für den Einsatz in explosionsgefährdeten Bereichen zugelassen!

Das Gerät ist ausschließlich für den hier beschriebenen bestimmungsgemäßen Verwendungszweck konzipiert und konstruiert und darf nur dementsprechend verwendet werden.

Die technischen Spezifikationen in dieser Betriebsanleitung sind einzuhalten. Eine unsachgemäße Handhabung oder ein Betreiben des Gerätes außerhalb der technischen Spezifikationen macht die sofortige Stilllegung und Überprüfung durch einen autorisierten WIKA-Service Mitarbeiter erforderlich.

Ansprüche jeglicher Art aufgrund von nicht bestimmungsgemäßer Verwendung sind ausgeschlossen.

3.3 Fehlgebrauch



WARNUNG!

Verletzungen durch Fehlgebrauch

Fehlgebrauch des Gerätes kann zu gefährlichen Situationen und Verletzungen führen.

- ▶ Eigenmächtige Umbauten am Gerät unterlassen.
- ▶ Gerät nicht in explosionsgefährdeten Bereichen einsetzen.

Jede über die bestimmungsgemäße Verwendung hinausgehende oder andersartige Benutzung gilt als Fehlgebrauch.

3.4 Verantwortung des Betreibers

Das Gerät wird im gewerblichen Bereich eingesetzt. Der Betreiber unterliegt daher den gesetzlichen Pflichten zur Arbeitssicherheit.

Die Sicherheitshinweise dieser Betriebsanleitung, sowie die für den Einsatzbereich des Gerätes gültigen Sicherheits-, Unfallverhütungs- und Umweltschutzvorschriften einhalten.

Der Betreiber ist verpflichtet das Typenschild lesbar zu halten.

Für ein sicheres Arbeiten am Gerät muss der Betreiber sicherstellen,

- dass eine entsprechende Erste-Hilfe-Ausrüstung vorhanden ist und bei Bedarf jederzeit Hilfe zur Stelle ist.
- dass das Bedienpersonal regelmäßig in allen zutreffenden Fragen von Arbeitssicherheit, Erste Hilfe und Umweltschutz unterwiesen wird, sowie die Betriebsanleitung und insbesondere die darin enthaltenen Sicherheitshinweise kennt.
- dass das Gerät gemäß der bestimmungsgemäßen Verwendung für den Anwendungsfall geeignet ist.
- dass die persönliche Schutzausrüstung verfügbar ist.

3.5 Personalqualifikation



WARNUNG!

Verletzungsgefahr bei unzureichender Qualifikation

Unsachgemäßer Umgang kann zu erheblichen Personen- und Sachschäden führen.

- ▶ Die in dieser Betriebsanleitung beschriebenen Tätigkeiten nur durch Fachpersonal nachfolgend beschriebener Qualifikation durchführen lassen.

Fachpersonal

Das vom Betreiber autorisierte Fachpersonal ist aufgrund seiner fachlichen Ausbildung, seiner Kenntnisse der Mess- und Regelungstechnik und seiner Erfahrungen sowie Kenntnis der landesspezifischen Vorschriften, geltenden Normen und Richtlinien in der Lage, die beschriebenen Arbeiten auszuführen und mögliche Gefahren selbstständig zu erkennen.

Speziell beim Einsatz von SF₆-Gas

Der Betreiber muss sicherstellen, dass die Handhabung von SF₆-Gas durch ein hierzu qualifiziertes Unternehmen oder von gemäß IEC 61634 Abschnitt 4.3.1 bzw. IEC 60480 Abschnitt 10.3.1 geschulten Mitarbeitern durchgeführt wird.

3.6 Persönliche Schutzausrüstung

Die persönliche Schutzausrüstung dient dazu, das Fachpersonal gegen Gefahren zu schützen, die dessen Sicherheit oder Gesundheit bei der Arbeit beeinträchtigen könnten. Beim Ausführen der verschiedenen Arbeiten an und mit dem Gerät muss das Fachpersonal persönliche Schutzausrüstung tragen.

Im Arbeitsbereich angebrachte Hinweise zur persönlichen Schutzausrüstung befolgen!

Die erforderliche persönliche Schutzausrüstung muss vom Betreiber zur Verfügung gestellt werden.



Schutzbrille nach EN 166 Klasse 2, mechanische Festigkeit Klasse S

Die Schutzbrille muss bei Arbeiten an Schläuchen oder Gasbehältern (z. B. Gaszylinder, Tanks) über die gesamte Dauer hinweg getragen werden.

Die Schutzbrille schützt die Augen vor umherfliegenden Teilen, austretendem Gas und Flüssigkeitsspritzern.



Schutzhandschuhe gegen Wärme nach EN ISO 13732-1 und gegen Kälte nach EN ISO 13732-3

Die Schutzhandschuhe müssen bei Arbeiten an Schläuchen, Gasbehältern (z. B. Gaszylinder, Tanks) oder Teilen die sich auf über 60 °C [140 °F] erwärmen über die gesamte Dauer hinweg getragen werden.

3.7 Umgang mit Isoliertgasen und Gasgemischen

SF₆-Gas ist ein Treibhausgas, das im Kyoto-Protokoll gelistet ist. Das SF₆-Gas darf nicht in die Atmosphäre gelangen, sondern muss in geeigneten Behältern gesammelt werden.

Eigenschaften von Isoliertgasen

- Farb- und geruchlos
- Chemisch neutral
- Inert
- Nicht entflammbar
- Schwere als Luft
- Keine Toxizität
- Nicht ozonschädigend

Detaillierte Angaben befinden sich in der IEC 60376 und IEC 61634.

Erstickungsgefahr durch Isoliertgase und Gasgemische

Hohe Konzentrationen von Gasen können zur Erstickung führen, da beim Einatmen von Gas die Atemluft aus den Lungen verdrängt wird.

Da SF₆-Gas schwerer ist als Luft, sammelt es sich insbesondere in Bodennähe oder tiefer gelegenen Räumen unterhalb des Bezugsniveaus an (z. B. Kellerräume). Dies ist besonders gefährlich, da SF₆-Gas farb- und geruchlos ist und somit vom Menschen nicht wahrgenommen wird.

3.8 Gefährdung durch Zersetzungsprodukte

Isoliergas in elektrischen Anlagen kann durch Lichtbogeneinwirkung Zersetzungsprodukte enthalten:

- Gasförmige Schwefelfluoride
- Schwefeloxxyfluoride
- Feste staubförmige Metallfluoride, -sulfide und -oxide
- Fluorwasserstoff
- Schwefeldioxid

Zersetzungsprodukte können gesundheitsschädlich sein.

- Durch Einatmen, Verschlucken oder Hautberührung kann es zu einer Vergiftung kommen.
- Augen, Atmungsorgane oder die Haut kann gereizt und verätzt werden.
- Durch Einatmen größerer Mengen kann die Lunge geschädigt werden.

Folgende Sicherheitshinweise beachten, um Gefahren durch Isoliergas zu vermeiden:

- Persönliche Schutzausrüstung tragen.
- Das Sicherheitsdatenblatt des Gaslieferanten lesen.
- Bei großen Leckagen schnell den Ort verlassen.
- Für gute Belüftung sorgen.
- Dichtigkeit der Betriebsmittel mit Lecksuchgerät sicherstellen (z. B. Typ GIR-10).

3.9 Geltende Normen und Richtlinien, Installation, Errichtung, Inbetriebnahme:

- BGI 753 (SF₆-Anlagen und Betriebsmittel in Deutschland)
- IEC 61634 (Handhabung von SF₆-Gas)
- IEC 60376 (neues SF₆-Gas, technisches SF₆-Gas)
- IEC 60480 (gebrauchtes SF₆-Gas)
- CIGRE report 276, 2005 (Practical SF₆ gas handling instructions)

Leckagen während des Betriebs:

- IEC 60376 (neues SF₆-Gas, technisches SF₆-Gas)
- IEC 60480 (gebrauchtes SF₆-Gas)
- CIGRE 2002 („SF₆ gas in the electrical industry“)

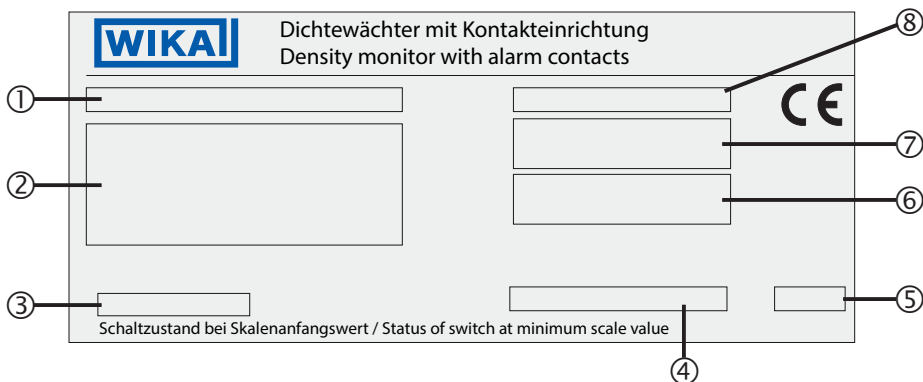


SF₆-Gas ist farb- und geruchlos, chemisch neutral, inert, nicht entflammbar und etwa fünfmal schwerer als Luft, nicht toxisch und nicht ozonschädigend.

Detaillierte Angaben befinden sich in der IEC 60376 und IEC 61634.

3.10 Beschilderung, Sicherheitskennzeichnungen

Typenschild (Beispiel)



DE

- ① Typbezeichnung
- ② Anschlussbelegung
- ③ Gehäusefüllung
- ④ P# Erzeugnisnummer
- ⑤ Herstelldatum
- ⑥ Schaltschwellen
- ⑦ Elektrische Kennwerte
- ⑧ Typbezeichnung des Schaltkontakts

4. Transport, Verpackung und Lagerung

4.1 Transport

Gerät auf eventuell vorhandene Transportschäden untersuchen.
Offensichtliche Schäden unverzüglich mitteilen.



VORSICHT!

Beschädigungen durch unsachgemäßen Transport

Bei unsachgemäßem Transport können Sachschäden in erheblicher Höhe entstehen.

- ▶ Beim Abladen der Packstücke bei Anlieferung sowie innerbetrieblichem Transport vorsichtig vorgehen und die Symbole auf der Verpackung beachten.
- ▶ Bei innerbetrieblichem Transport die Hinweise unter Kapitel 4.2 „Verpackung und Lagerung“ beachten.

4.2 Verpackung und Lagerung

Verpackung erst unmittelbar vor der Montage entfernen.

Die Verpackung aufbewahren, denn diese bietet bei einem Transport einen optimalen Schutz (z. B. wechselnder Einbauort, Reparatursendung).

DE



WARNUNG!

Körperverletzungen, Sach- und Umweltschäden durch gefährliche Zersetzungsprodukte

Vor der Einlagerung müssen alle anhaftenden Zersetzungsprodukte entfernt werden.

► Reinigung siehe Kapitel 7.2 „Reinigung“

Zulässige Bedingungen am Lagerort:

- Lagertemperatur: -50 ... +60 °C [-58 ... +140 °F]
- Feuchtigkeit: ≤ 90 % r. F. (nicht kondensierend)

Folgende Einflüsse vermeiden:

- Ruß, Dampf, Staub und korrosive Gase
- Explosionsgefährdete Umgebung, entzündliche Atmosphären

Das Gerät in der Originalverpackung an einem Ort lagern, der die oben gelisteten Bedingungen erfüllt. Wenn die Originalverpackung nicht vorhanden ist, dann das Gerät wie folgt verpacken und lagern:

1. Das Gerät mit dem Dämmmaterial in der Verpackung platzieren.
2. Bei längerer Einlagerung (mehr als 30 Tage) einen Beutel mit Trocknungsmittel der Verpackung beilegen.

5. Inbetriebnahme, Betrieb

5.1 Mechanische Montage



VORSICHT!

Körperverletzungen, Sach- und Umweltschäden durch defektes Gerät

Vor der Inbetriebnahme das Gerät optisch prüfen. Das Gerät nur in sicherheitstechnisch einwandfreiem Zustand einsetzen.

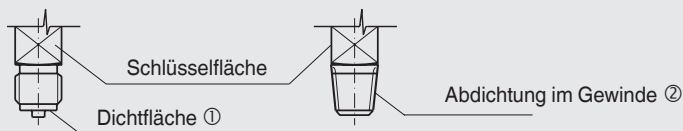
5.1.1 Anforderungen an die Einbaustelle

- Bei Anwendungen im Freien ist ein für die angegebene Schutzart geeigneter Aufstellort zu wählen, damit das Gerät keinen unzulässigen Witterungseinflüssen ausgesetzt ist.
- Dichtflächen am Gerät und an der Messstelle müssen unbeschädigt und frei von Verschmutzungen sein.

5.1.2 Installation

- Beim Transport oder der Lagerung kann es vorkommen, dass sich Gasdichtewächter erwärmen oder abkühlen und dies in Zeigerbewegungen resultiert. Diese Zeigerbewegungen werden durch das Kompensationssystem hervorgerufen. Um sicherzustellen, dass sich die Geräte ausreichend der Umgebungstemperatur angepasst haben, müssen sie min. 2 Std. bei 20 °C [68 °F] temperiert werden. Danach steht der Zeiger im drucklosen Zustand innerhalb des Toleranzbalkens.
- Entsprechend den allgemeinen technischen Regeln für Manometer (z.B. EN 837-2 „Auswahl und Einbauempfehlungen für Druckmessgeräte“) darf beim Einschrauben des Gerätes die dazu erforderliche Kraft nicht über das Gehäuse aufgebracht werden, sondern nur mit geeignetem Werkzeug über die dafür vorgesehene Schlüsselfläche.
- Beim Einschrauben die Gewindegänge nicht verkanten.

Für zylindrische Gewinde sind an der Dichtfläche ① Flachdichtungen, Dichtlinsen oder WIKA-Profilabdichtungen einzusetzen. Bei kegeligen Gewinden (z. B. NPT-Gewinde) erfolgt die Abdichtung im Gewinde ②, mit geeignetem Dichtungswerkstoff (EN 837-2). Das Anzugsmoment ist von der eingesetzten Dichtung abhängig. Um das Messgerät in die Stellung zu bringen, in der es sich am besten ablesen lässt, ist ein Anschluss mit Spannmuffe oder Überwurfmutter zu empfehlen. Sofern ein Gerät eine Entlastungsöffnung besitzt, muss diese vor Blockierung durch Geräteteile oder Schmutz geschützt sein.



5.1.3 Temperaturbelastung

Die Anbringung des Gerätes ist so auszuführen, dass die zulässige Betriebstemperatur, auch unter Berücksichtigung des Einflusses von Konvektion und Wärmestrahlung, weder unter- noch überschritten wird.

Der Temperatureinfluss auf die Anzeige- bzw. Messgenauigkeit ist zu beachten.

5.2 Elektrische Montage

- Das Gerät über den Prozessanschluss erden.
- Beim Kabelausgang sicherstellen, dass am Ende des Kabels keine Feuchtigkeit eintritt.
- Den Kabeldurchmesser passend zur Kabeldurchführung des Steckers wählen. Darauf achten, dass die Kabelverschraubung des montierten Steckers korrekt sitzt und dass die Dichtungen vorhanden und nicht beschädigt sind. Die Verschraubung festziehen und den korrekten Sitz der Dichtungen überprüfen, um die Schutzart zu gewährleisten.
- Die Belegung der Anschlüsse und die Schaltfunktionen sind auf dem Typenschild am Gerät angegeben und die Anschlussklemmen sowie die Erdungsklemme sind entsprechend gekennzeichnet.

5. Inbetriebnahme, Betrieb

5.2.1 Grenzwerte für die Kontaktbelastung bei ohmscher Belastung

	Gasgefüllte Geräte	Flüssigkeitsgefüllte Geräte
Maximale Nennbetriebsspannung U_{eff}	AC 250 V	AC 250 V
Nennbetriebsstrom		
Einschaltstrom	1 A	1 A
Ausschaltstrom	1 A	1 A
Dauerstrom	0,6 A	0,6 A
Maximale Schaltleistung	30 W, 50 VA	20 W, 20 VA

Die Grenzwerte nicht überschreiten. Um dauerhaft eine sichere Funktion zu gewährleisten, sind folgende Belastungswerte empfohlen:

Spannung (nach IEC 38)	Gasgefüllte Geräte			Flüssigkeitsgefüllte Geräte		
	Ohmsche Belastung		Induktive Belastung	Ohmsche Belastung		Induktive Belastung
DC/AC	DC	AC	$\cos \varphi > 0,7$	DC	AC	$\cos \varphi > 0,7$
230 V	100 mA	120 mA	65 mA	65 mA	90 mA	40 mA
110 V	200 mA	240 mA	130 mA	130 mA	180 mA	85 mA
48 V	300 mA	450 mA	200 mA	190 mA	330 mA	130 mA
24 V	400 mA	600 mA	250 mA	250 mA	450 mA	150 mA

Bei niedrigen Spannungen darf der Schaltstrom aus Gründen der Schaltsicherheit nicht kleiner als 20 mA sein.



Für höhere Belastungen, sowie für Geräte mit flüssigkeitsgefüllten Gehäusen, werden WIKA-Kontaktschutzrelais Typen 905.1X empfohlen.

Überstrom-Schutzeinrichtungen

In den Geräten sind keine Überstrom-Schutzeinrichtungen eingebaut. Falls Schutzrichtungen gefordert werden, sind folgende Werte nach EN 60947-5-1 zu empfehlen.

- Spannung 24 V: 2 A
- Spannung 250 V: 1 A

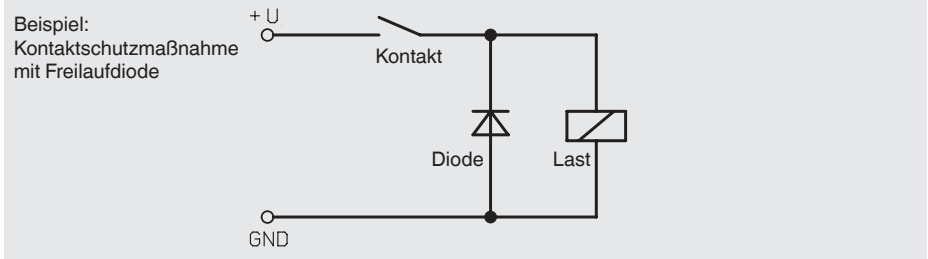
5.2.2 Kontaktschutzmaßnahmen

Mechanische Kontakte dürfen die angegebenen elektrischen Werte für Schaltstrom, Schaltspannung und Schaltleistung unabhängig voneinander, auch kurzzeitig, nicht überschreiten.

Für kapazitive oder induktive Lasten empfehlen wir eine der folgenden Schutzbeschaltungen:

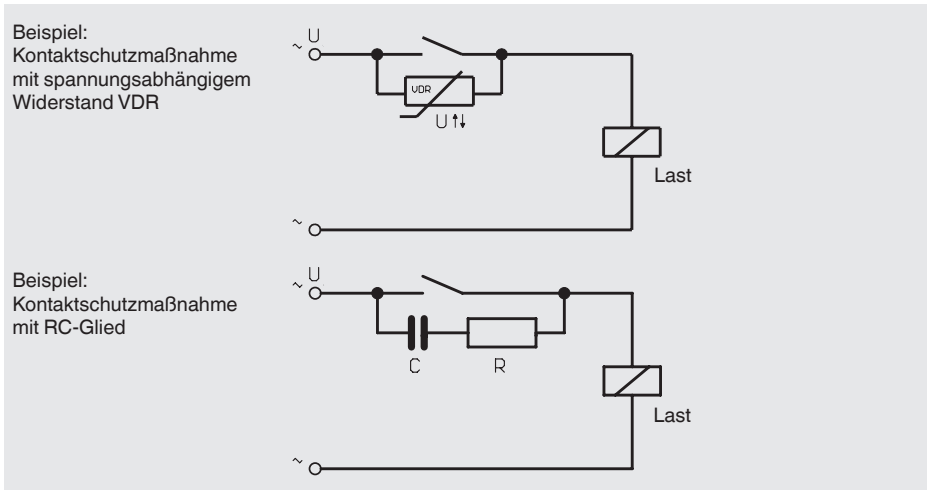
Induktive Last bei Gleichspannung

Bei Gleichspannung kann der Kontaktschutz durch eine parallel zur Last geschalteten Freilaufdiode erzielt werden. Die Polung der Diode muss so erfolgen, dass sie bei angelegter Betriebsspannung sperrt.



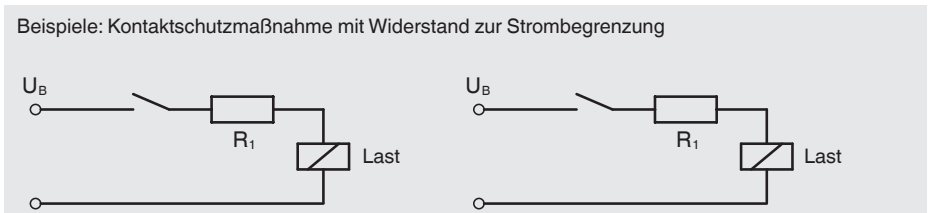
Induktive Last bei Wechselspannung

Bei Wechselspannung gibt es zwei mögliche Schutzmaßnahmen:



Kapazitive Last

Bei kapazitiven Lasten treten erhöhte Einschaltströme auf. Diese können durch Reihenschalten von Widerständen in der Zuleitung verringert werden.



14300397.03.07/2021 EN/DE/FR/ES

5.3 Schaltpunkteinstellung

Die Schaltpunkte sind standardmäßig fest eingestellt und können nicht verstellt werden. Dadurch ist ein ungewolltes Verstellen der Schaltpunkte ausgeschlossen.

Bei kundenspezifischen verstellbaren Schaltpunkten, lässt sich mittels mitgelieferten Verstellschlüssels der gewünschte Sollwert über das Verstellchloss in der Sichtscheibe einstellen.



DE

6. Störungen



VORSICHT!

Körperverletzungen, Sach- und Umweltschäden

Können Störungen mit Hilfe der aufgeführten Maßnahmen nicht beseitigt werden, Gerät unverzüglich außer Betrieb setzen.

- ▶ Sicherstellen, dass kein Druck bzw. Signal mehr anliegt und gegen versehentliche Inbetriebnahme schützen.
- ▶ Kontakt mit dem Hersteller aufnehmen.
- ▶ Bei notwendiger Rücksendung die Hinweise unter Kapitel 9.2 „Rücksendung“ beachten.



Kontakt Daten siehe Kapitel 1 „Allgemeines“ oder Rückseite der Betriebsanleitung.

Störungen	Ursachen	Maßnahmen
Kontakt schaltet nicht mehr gemäß Spezifikation	Elektrische Verbindung ist unterbrochen	Durchgangsprüfung der elektrischen Anschlussleitungen durchführen
	Elektrische Last für den Schaltkontakt-Typ ungeeignet	Zulässige elektrische Lasten des Schaltkontakt-Typs einhalten
	Kontakt verunreinigt	

Störungen	Ursachen	Maßnahmen
Schaltzustand bleibt trotz Erreichen des Schaltpunktes/ Rückschaltpunktes unverändert	Kontakte defekt (z. B. Kontaktzone verschmolzen)	Gerät austauschen. Vor erneuter Inbetriebnahme des neuen Gerätes Schutzbeschaltung für den Kontakt vorsehen
Keine Zeigerbewegung trotz Druckänderung	Messwerk blockiert	Gerät austauschen
Zeigerbewegung obwohl drucklos	Erwärmung oder Abkühlung des Messgerätes (keine Störung)	Gerät 2 Stunden bei 20 °C [68 °F] temperieren

Bei Reklamationen sind die Fertigungs- und Erzeugnisnummern anzugeben. Die Fertigungsnummer ist auf dem Ziffernblatt angebracht, die Erzeugnisnummer auf dem Typenschild. Bei Reklamationen ist stets der Luftdruck und die Temperatur während der Messung anzugeben, ebenso die Daten des Vergleichsnormals (Typ, Klasse).

7. Wartung, Reinigung und Rekalibrierung

7.1 Wartung

Diese Gasdichtewächter sind wartungsfrei.

Eine Überprüfung der Anzeige und der Schaltfunktion sollte etwa 1 bis 2 mal pro Jahr erfolgen. Dazu ist das Gerät vom Gasraum zu trennen und mit einer Druckprüfvorrichtung zu kontrollieren.

Reparaturen sind ausschließlich vom Hersteller durchzuführen.

Die Geräte dürfen nicht geöffnet werden, da dadurch Anzeige- und Schaltpunktfehler entstehen.

7.2 Reinigung



VORSICHT!

Körperverletzungen, Sach- und Umweltschäden

Eine unsachgemäße Reinigung führt zu Körperverletzungen, Sach- und Umweltschäden. Zersetzungsprodukte im ausgebauten Gerät können zur Gefährdung von Personen, Umwelt und Einrichtung führen.

► Reinigungsvorgang wie folgt beschrieben durchführen.

1. Vor der Reinigung das Gerät ordnungsgemäß von der Druckversorgung trennen und stromlos schalten.
2. Notwendige Schutzausrüstung verwenden.
3. Das Gerät mit einem feuchten Tuch reinigen.
Elektrische Anschlüsse nicht mit Feuchtigkeit in Berührung bringen!



VORSICHT!

Beschädigung des Gerätes

Eine unsachgemäße Reinigung führt zur Beschädigung des Gerätes!

- ▶ Keine aggressiven Reinigungsmittel verwenden.
- ▶ Keine harten und spitzen Gegenstände zur Reinigung verwenden.

DE

4. Ausgebautes Gerät spülen bzw. säubern, um Personen und Umwelt vor Gefährdung durch anhaftende Zersetzungsprodukte zu schützen.



Hinweise zur Rücksendung befinden sich in der Rubrik „Service“ auf unserer lokalen Internetseite.

7.3 Kalibrierung

In Bezug auf Schaltanlagen-sicherheit, Objektschutz und Umweltschutz ist es üblich, eine regelmäßige Funktionsprüfung der Messgeräte durchzuführen. Artikel 5 der EU-Verordnung Nr. 517/2014 über fluorierte Treibhausgase sieht eine Kontrolle des Leckage-Erkennungssystems rechtlich verpflichtend mindestens alle 6 Jahre vor, falls mehr als 22 kg SF₆-Gas enthalten sind und die Anlage nach dem 1. Januar 2017 in Betrieb genommen wurde.

Mit Hilfe des optionalen fest angeschweißten Rekalibrierventiles kann der Gasdichtewächter vom Prozess abgesperrt und rekalibriert werden, ohne diesen demontieren zu müssen. Dies reduziert neben der Wartungszeit auch die Gefahr durch Emissionen von SF₆-Gas und mögliche Leckagen bei der Wiederinbetriebnahme. Beim Anschluss eines Prüfgerätes (z.B. Typ ACS-10 oder Typ BCS-10) an das Rekalibrierventil, wird der Gasdichtewächter automatisch vom Gasraum getrennt und es kann eine Rekalibrierung erfolgen. Anschließend kann das Prüfgerät vom Rekalibrierventil abgekoppelt werden und die Verbindung zum Gasraum wird wieder automatisch hergestellt.

Das Rekalibrierventil ist auch als Nachrüstlösung für bereits im Feld installierte Gasdichtewächter und andere Leckageerkennungssysteme als Typ GLTC-CV verfügbar und kann zwischen den Gasraum und Gasdichtewächter montiert werden.

Kalibrierung von Gasdichtewächter mit Prüfanschluss und Absperrventil



VORSICHT!

Unterbrechung der Überwachungsfunktion

Während der Kalibrierung ist der Gasdichtewächter vom zu überwachen- den Gasraum getrennt. Im Falle einer Leckage kann kein Alarm ausgege- ben werden.

- ▶ Nach der Kalibrierung das verwendete Rekalibriergerät (z.B. Typ ACS-10 oder BCS-10) vom Kalibrieranschluss wieder entfernen.

Anzugsmoment Prüfanschluss: 40 Nm \pm 10 %

1. Prüfgas und Prüfnormal mit Prüfanschluss verbinden.
 - Gasdichtewächter ist vom Gasraum getrennt.
2. Kalibrierung vornehmen.
3. Prüfgas und Prüfnormal vom Prüfanschluss trennen.
 - Gasdichtewächter ist mit Gasraum verbunden.

8. Demontage, Rücksendung und Entsorgung

8.1 Demontage



WARNUNG!

Körperverletzungen, Sach- und Umweltschäden durch gefährliche Zersetzungsprodukte

Bei Kontakt mit gefährlichen Zersetzungsprodukten besteht die Gefahr von Körperverletzungen, Sach- und Umweltschäden.

- Notwendige Schutzausrüstung tragen (siehe Kapitel 3.6 „Persönliche Schutzausrüstung“).

Vor der Demontage des Gerätes die Gasfüllung evakuieren.
Das Gerät nur im druck- und stromlosen Zustand demontieren.

8.2 Rücksendung



WARNUNG!

Beim Versand des Gerätes unbedingt beachten:

Alle an WIKA gelieferten Geräte müssen frei von Gefahrstoffen (z.B. Zersetzungsprodukten) sein und sind daher vor der Rücksendung zu reinigen.

Zur Rücksendung des Gerätes die Originalverpackung oder eine geeignete Transportverpackung verwenden.

Um Schäden zu vermeiden:

1. Das Gerät mit dem Dämmmaterial in der Verpackung platzieren.
Zu allen Seiten der Transportverpackung gleichmäßig dämmen.
2. Wenn möglich einen Beutel mit Trocknungsmittel der Verpackung beifügen.



Hinweise zur Rücksendung befinden sich in der Rubrik „Service“ auf unserer lokalen Internetseite.

8.3 Entsorgung

Durch falsche Entsorgung können Gefahren für die Umwelt entstehen. Gerätekomponenten und Verpackungsmaterialien entsprechend den landesspezifischen Abfallbehandlungs- und Entsorgungsvorschriften umweltgerecht entsorgen.

DE

9. Technische Daten

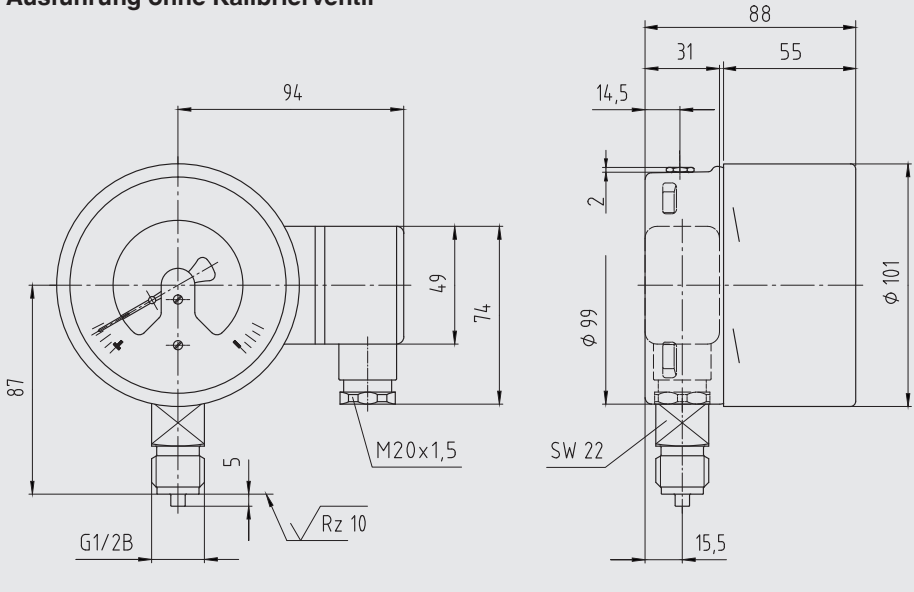
Technische Daten	
Nenngröße	100
Eichdruck P_E	Nach Kundenspezifikation
Genauigkeitsangaben	$\pm 1\%$ bei einer Umgebungstemperatur von 20 °C [68 °F] $\pm 2,5\%$ bei einer Umgebungstemperatur von $-20 \dots +60\text{ °C}$ [$-4 \dots +140\text{ °F}$] und bei Eichdruck nach Referenzisochore (Referenzdiagramm KALI-Chemie AG, Hannover, erstellt von Dr. Döring 1979)
Anzeigebereich	Vakuum- und Überdruckbereich mit Messspanne $1,6 \dots 25\text{ bar}$ (bei einer Umgebungstemperatur von 20 °C [68 °F] und Gasphase)
Zulässige Umgebungstemperatur	
Betrieb	$-20 \dots +60\text{ °C}$ [$-4 \dots +140\text{ °F}$], Gasphase
Lagerung	$-50 \dots +60\text{ °C}$ [$-58 \dots +140\text{ °F}$]
Prozessanschluss	G $\frac{1}{2}$ B nach EN 837, unten CrNi-Stahl, Schlüsselfläche 22 mm
Messglied	CrNi-Stahl, geschweißt Gasdicht: Leckagerate $\leq 1 \cdot 10^{-8}\text{ mbar} \cdot \text{l} / \text{s}$ Prüfmethode: Heliummassenspektrometrie
Messwerk	CrNi-Stahl Bimetallzugstange (Temperaturkompensation)
Zifferblatt	Aluminium Anzeigebereich ist rot, gelb und grün unterteilt
Zeiger	Aluminium, schwarz
Gehäuse	CrNi-Stahl Gasdicht: Leckagerate $\leq 1 \cdot 10^{-5}\text{ mbar} \cdot \text{l} / \text{s}$
Sichtscheibe	Mehrschichten-Sicherheitsglas oder Acrylglas
Ring	Bajonettring, CrNi-Stahl, mit 3 Schweißpunkten gesichert
Zulässige Luftfeuchte	$\leq 90\%$ r. F. (nicht kondensierend)
Schutzart	IP65 nach IEC60529

Technische Daten	
Gewicht	
Mit Gasfüllung	Ca. 0,8 kg
Mit Füllflüssigkeit	Ca. 1,2 kg
Hochspannungstest 100 %	2 kV, 50 Hz, 1 s
Elektrischer Anschluss	Kabeldose mit Anschlussverschraubung M20 x 1,5 Aderquerschnitt max. 2,5 mm ²
Anzahl Schaltkontakte	1 ... 3 Magnetspringkontakte
Schaltrichtungen	Fallender Druck oder steigender Druck
Schaltfunktionen	Schließer, Öffner oder Wechsler
Stromkreise	Galvanisch verbunden (nicht für Wechsler) oder galvanisch getrennt
Schaltgenauigkeit	
Schaltpunkt = Eichdruck P _E	Siehe Genauigkeitsangaben
Schaltpunkt ≠ Eichdruck P _E	Parallel zur Referenzisochore des Eichdruckes
Max. Schaltspannung	AC 250 V
Schaltleistung	Mit Gasfüllung: 30 W / 50 VA, max. 1 A Mit Füllflüssigkeit: 20 W / 20 VA, max. 1A
Werkstoff der Schaltkontakte	80 % Ag / 20 % Ni, vergoldet
Kalibrierventil	
Schweißnähte	Qualifiziert nach DIN EN ISO 15613 in Verbindung mit DIN EN ISO 15614-1 und DIN EN ISO 15614-12 durch die benannte Stelle TÜV Süd
Anzugsmoment Prüfanschluss	40 Nm ±10 %
Gasdicht	Leckagerate ≤ 1 · 10 ⁻⁸ mbar · l/s

Weitere technische Daten siehe Bestellunterlagen.

Abmessungen in mm

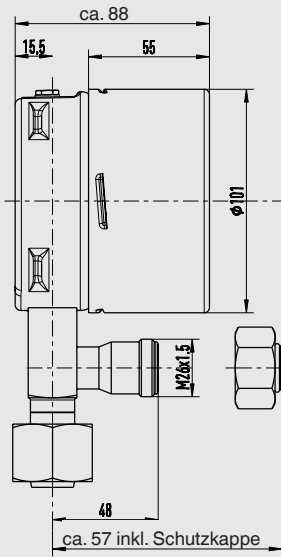
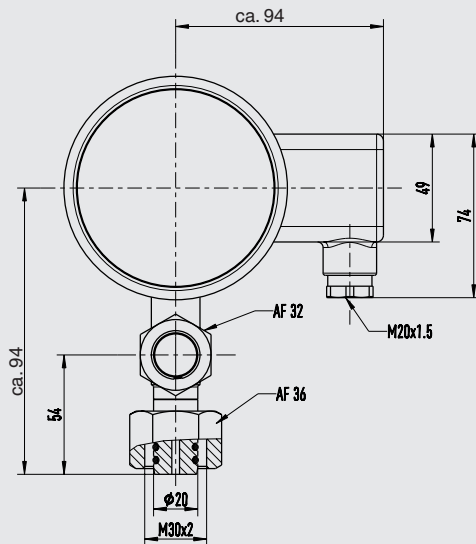
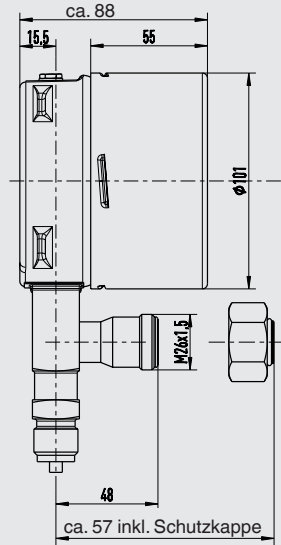
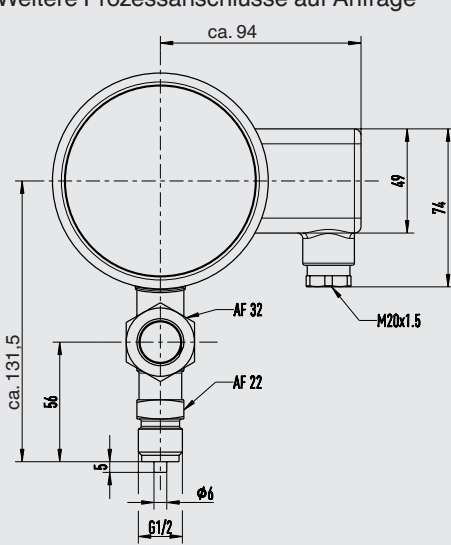
Ausführung ohne Kalibrierventil



DE

Ausführung mit Kalibrierventil

Beliebige Anordnung des Prüfventils möglich
 Weitere Prozessanschlüsse auf Anfrage



10. Zubehör

DE

Beschreibung	Bestellnummer
 Rekalibrierventil zum Nachrüsten für bereits im Feld installierte Gasdichtewächter und andere Leckageerkennungssysteme, Typ GLTC-CV Beliebige Anordnung des Prüfventils möglich Weitere Prozessanschlüsse auf Anfrage	Siehe WIKA Datenblatt SP 61.16
 Adapter von Prüfanschluss (M26 x 1,5) auf Schnellkupplung	14146937
 Schutzhülse für Prüfanschluss (M26 x 1,5)	14193772
 Kalibriertesystem für SF ₆ -Gasdichtemessgeräte	Siehe WIKA Datenblatt SP 60.08

WIKA-Zubehör finden Sie online unter www.wika.de.

Sommaire

1. Généralités	48
2. Conception et fonction	49
3. Sécurité	50
4. Transport, emballage et stockage	56
5. Mise en service, utilisation	57
6. Dysfonctionnements	61
7. Entretien, nettoyage et réétalonnage	62
8. Démontage, retour et mise au rebut	64
9. Spécifications	65
10. Accessoires	69

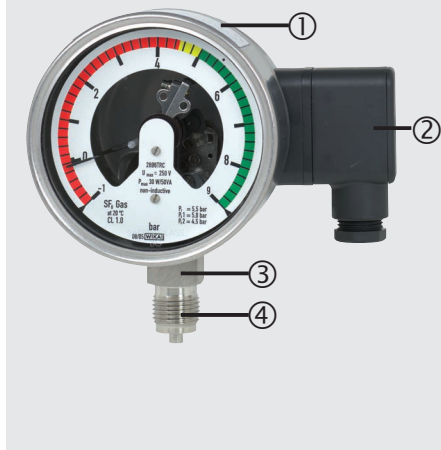
1. Généralités

- L'instrument décrit dans le mode d'emploi est conçu et fabriqué selon les dernières technologies en vigueur. Tous les composants sont soumis à des critères de qualité et d'environnement stricts durant la fabrication. Nos systèmes de gestion sont certifiés selon ISO 9001 et ISO 14001.
- Ce mode d'emploi donne des indications importantes concernant l'utilisation de l'instrument. Il est possible de travailler en toute sécurité avec ce produit en respectant toutes les consignes de sécurité et d'utilisation.
- Respecter les prescriptions locales de prévention contre les accidents et les prescriptions générales de sécurité en vigueur pour le domaine d'application de l'instrument.
- Le mode d'emploi fait partie de l'instrument et doit être conservé à proximité immédiate de l'instrument et accessible à tout moment pour le personnel qualifié. Confier le mode d'emploi à l'utilisateur ou propriétaire ultérieur de l'instrument.
- Le personnel qualifié doit, avant de commencer toute opération, avoir lu soigneusement et compris le mode d'emploi.
- Les conditions générales de vente mentionnées dans les documents de vente s'appliquent.
- Sous réserve de modifications techniques.
- Pour obtenir d'autres informations :
 - Consulter notre site Internet : www.wika.fr
 - Fiches techniques correspondantes : SP 60.02 Type GDM-100
SP 61.16 Type GLTC-CV
 - Conseiller applications : Tél. : 0 820 95 10 10 (0,15 €/mn)
Fax : 0 891 035 891 (0,35 €/mn)
info@wika.fr

2. Conception et fonction

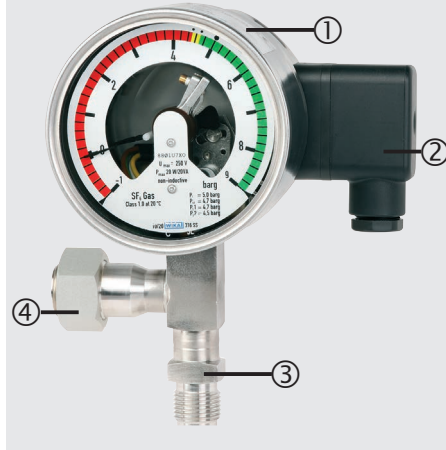
2.1 Vue générale

Densimètre pour gaz



- ① Plaque signalétique
- ② Raccordement électrique, prise de câble
- ③ Raccord process, six pans
- ④ Raccord process, filetage

Densimètre pour gaz avec vanne de réétalonnage en option



- ① Plaque signalétique
- ② Raccordement électrique, prise de câble
- ③ Raccord process (compartiment de gaz)
- ④ Raccordement de test (pression d'étalonnage)

FR

2.2 Description

Contacts électriques

Les contacts électriques installés dans le densimètre se ferment ou s'ouvrent à des valeurs limites réglées, en fonction de la fonction de commutation. Les fonctions de commutation sont : normalement ouvert, normalement fermé, contact inverseur.

Les contacts secs magnétiques sont des contacts de contrôle qui ouvrent ou ferment des circuits électriques connectés au moyen d'un bras de contact déplacé par l'aiguille de l'instrument.

Vanne de réétalonnage en option

En ce qui concerne la sécurité du disjoncteur, la protection des objets et la protection de l'environnement, il est courant d'effectuer régulièrement des contrôles de fonctionnement des instruments de mesure. L'article 5 du règlement UE N° 517/2014 sur les gaz à effet de serre fluorés prévoit un contrôle du système de détection des fuites au moins tous les 6 ans s'il contient plus de 22 kg de gaz SF₆ et si l'installation a été mise en service après le 1er janvier 2017.

A l'aide de la vanne d'étalonnage en option solidement soudée, le densimètre pour gaz peut être coupé du process et réétalonné sans avoir à le démonter. Cela permet non seulement de réduire le temps d'entretien, mais aussi de minimiser les risques d'émissions de gaz SF₆ et de fuites potentielles lors de la remise en service de l'installation.

Lors du raccordement d'un instrument de test (par exemple type ACS-10 ou BCS-10) à la vanne de réétalonnage, le densimètre pour gaz est automatiquement déconnecté du compartiment de gaz et un réétalonnage peut être effectué. L'instrument de test peut alors être déconnecté de la vanne de réétalonnage et le raccordement au compartiment de gaz est rétabli automatiquement.

La vanne de réétalonnage est également disponible comme solution a posteriori pour des densimètres pour gaz ou d'autres systèmes de détection de fuites déjà installés sur le terrain, comme le type GLTC-CV, et peut être installée entre le compartiment de gaz et le densimètre.

2.3 Détail de la livraison

Comparer le détail de la livraison avec le bordereau de livraison.

3. Sécurité

3.1 Explication des symboles



AVERTISSEMENT !

... indique une situation présentant des risques susceptibles de provoquer la mort ou des blessures graves si elle n'est pas évitée.



ATTENTION !

... indique une situation potentiellement dangereuse et susceptible de provoquer de légères blessures ou des dommages matériels et pour l'environnement si elle n'est pas évitée.



Information

... met en exergue des conseils et recommandations utiles de même que des informations permettant d'assurer un fonctionnement efficace et normal.

3.2 Utilisation conforme à l'usage prévu

Le densimètre type GDM-100 peut être utilisé partout où la densité de gaz SF₆ doit être affichée localement et où il est nécessaire en même temps de commuter des contacts. Les densimètres sont des manomètres à contact modifiés développés spécialement pour l'utilisation avec du gaz SF₆. Les influences de la température sur le gaz SF₆ confiné sont compensées par un système de compensation.

Les densimètres sont conçus spécialement pour les applications concernées liées aux disjoncteurs (gaz SF₆ pur, mélanges de gaz, pression d'étalonnage, points de seuil ...). Avant l'utilisation, vérifier si cet instrument est adapté à l'application prévue.

Conformément à la norme EN 61010-1:2010, les valeurs d'isolement (distances d'isolement dans l'air et lignes de fuite) doivent permettre une utilisation dans les conditions ambiantes suivantes :

- Altitude jusqu'à 2.000 m
- Catégorie de surtension II
- Niveau de colmatage 2
- Humidité relative : 0 ... 95 % sans condensation (selon DIN 40040)
- La résistance de l'instrument de mesure (incluant des composants non métalliques) a été testée avec une énergie d'impact réduite de 2 J, correspondant à IK07 au sens de la norme EN 61010-1:2010. Le code IK figure sur la plaque signalétique correspondante.

Utiliser l'instrument uniquement dans des applications qui se trouvent dans les limites de ses performances techniques (par exemple température ambiante maximale, compatibilité de matériau, ...).

→ Pour les limites de performance voir chapitre 9 "Spécifications"

L'instrument ne doit pas être utilisé en zones explosives !

L'instrument est conçu et construit exclusivement pour une utilisation conforme à l'usage prévu décrit ici et ne doit être utilisé qu'en conséquence.

Les spécifications techniques mentionnées dans ce mode d'emploi doivent être respectées. En cas d'utilisation non conforme ou de fonctionnement de l'instrument en dehors des spécifications techniques, un arrêt et contrôle doivent être immédiatement effectués par un collaborateur autorisé du service de WIKA.

Aucune réclamation ne peut être recevable en cas d'utilisation non conforme à l'usage prévu.

3.3 Utilisation inappropriée



AVERTISSEMENT !

Blessures à cause d'une utilisation inappropriée

Une utilisation inappropriée peut conduire à des situations dangereuses et à des blessures.

- ▶ S'abstenir de modifications non autorisées sur l'instrument.
- ▶ Ne pas utiliser l'instrument en zone explosive.

FR

Toute utilisation différente ou au-delà de l'utilisation prévue est considérée comme inappropriée.

3.4 Responsabilité de l'opérateur

L'instrument est prévu pour un usage dans le domaine industriel. L'opérateur est de ce fait responsable des obligations légales en matière de sécurité du travail.

Les instructions de sécurité de ce mode d'emploi comme les réglementations liées à la sécurité, à la prévention de accidents et à la protection de l'environnement pour la zone d'application doivent être respectées.

L'opérateur doit s'assurer que l'étiquette du produit reste lisible.

Afin de travailler en toute sécurité sur l'instrument, la société exploitante doit s'assurer

- qu'un équipement de premier secours adapté est disponible et que les premiers soins peuvent être dispensés sur place à tout moment en cas de besoin.
- que le personnel de service reçoit à intervalles réguliers des instructions relatives à toutes les questions pertinentes concernant la sécurité du travail, les premiers secours et la protection de l'environnement et qu'il connaît le mode d'emploi et particulièrement les consignes de sécurité contenues dans celui-ci.
- que l'instrument est adapté à l'application en respect de l'usage prévu de l'instrument.
- qu'un équipement de protection individuelle est disponible.

3.5 Qualification du personnel



AVERTISSEMENT !

Danger de blessure en cas de qualification insuffisante

Une utilisation non conforme peut entraîner d'importants dommages corporels et matériels.

- ▶ Les opérations décrites dans ce mode d'emploi ne doivent être effectuées que par un personnel ayant la qualification décrite ci-après.

Personnel qualifié

Le personnel qualifié, autorisé par l'opérateur, est, en raison de sa formation spécialisée, de ses connaissances dans le domaine de l'instrumentation de mesure et de régulation et de son expérience, de même que de sa connaissance des réglementations nationales et des normes en vigueur, en mesure d'effectuer les travaux décrits et d'identifier de façon autonome les dangers potentiels.

En particulier lors de l'utilisation de gaz SF₆

L'opérateur des installations doit s'assurer que la manipulation du gaz SF₆ est effectuée seulement par une entreprise qualifiée ou par du personnel qualifié ayant suivi une formation spéciale conformément à la norme CEI 61634, section 4.3.1 ou CEI 60480, section 10.3.1.

FR

3.6 Equipement de protection individuelle

L'équipement de protection individuelle sert à protéger le personnel qualifié contre les dangers pouvant entraver la sécurité et la santé de ce dernier durant le travail. Le personnel qualifié doit porter l'équipement de protection individuelle lors de l'exécution des différents travaux sur et avec l'instrument.

Respecter les indications concernant l'équipement de protection individuelle dans la zone de travail !

L'équipement de protection individuelle requis doit être mis à disposition par l'utilisateur.



Lunettes de sécurité en conformité avec EN 166, classe 2, résistance mécanique classe S

Les lunettes de sécurité doivent être portées sur toute la période de travail sur les flexibles et les conteneurs de gaz (par exemple bouteilles de gaz, réservoirs).

Les lunettes de sécurité protègent les yeux de toutes les particules volantes, le gaz qui s'échapperait et les éclaboussures.



Gants de protection contre la chaleur en conformité avec EN ISO 13732-1 et contre le froid en conformité avec EN ISO 13732-3

Les gants de protection doivent être portés pendant toute la période de travail sur les flexibles et les conteneurs de gaz (par exemple bouteilles de gaz, cuves) ou sur les composants qui dépassent 60 °C [140 °F].

3.7 Manipulation de gaz isolants et de mélanges gazeux

Le gaz SF₆ est un gaz à effet de serre figurant dans le Protocole de Kyoto. Le gaz SF₆ ne doit pas s'échapper dans l'atmosphère, mais doit être récupéré dans des containers adéquats.

Propriétés des gaz isolants

- Sans odeur et sans couleur
- Neutre chimiquement
- Inerte
- Ininflammable
- Plus lourds que l'air
- Non-toxiques
- Ils n'endommagent pas la couche d'ozone

Voir des informations détaillées dans les normes CEI 60376 et CEI 61634.

FR

Danger de suffocation causé par des gaz isolants et des mélanges de gaz

De hautes concentrations de gaz peuvent provoquer une asphyxie, car l'air respirable est déplacé depuis les poumons lorsqu'on inhale du gaz.

Comme le gaz SF₆ est plus lourd que l'air, il est collecté, en particulier, au niveau du sol ou de pièces situées à un niveau bas en-dessous du niveau de référence (par exemple des caves). Ceci est particulièrement dangereux, car le gaz SF₆ est incolore et inodore et peut ainsi être imperceptible pour les gens.

3.8 Danger causé par des produits de décomposition

Le gaz isolant présent dans des systèmes électriques peut contenir des produits de décomposition générés par les arcs électriques.

- Fluorures de soufre gazeux
- Hexafluorures de soufre
- Fluorures de métaux solides et atomisés, sulfures de métal, oxydes de métal
- Fluorure d'hydrogène
- Dioxyde de soufre

Les produits de décomposition peuvent être nocifs pour la santé.

- Ils peuvent provoquer un empoisonnement par inhalation, ingestion ou contact avec la peau.
- Ils peuvent être irritants pour les yeux, le système respiratoire ou la peau et les brûler.
- L'inhalation de grandes quantités peut endommager les poumons.

Respecter les instructions de sécurité suivantes pour éviter tout danger provenant du gaz isolant :

- Porter un équipement de protection individuelle.
- Lire la fiche technique de sécurité concernant le matériau éditée par le fournisseur de gaz.
- Dans le cas de fuites importantes, évacuer rapidement la zone.
- Assurer une bonne ventilation.
- Assurez-vous que l'équipement est étanche au moyen d'un détecteur de fuites (par exemple type GIR-10).

3.9 Normes et directives applicables pour l'installation, l'assemblage et la mise en service :

- BGI 753 (installations et équipements SF₆ en Allemagne)
- CEI 61634 (manipulation du gaz SF₆)
- CEI 60376 (nouveau gaz SF₆, gaz SF₆ technique)
- CEI 60480 (gaz SF₆ utilisé)
- Rapport CIGRE 276, 2005 (Instructions pratiques pour la manipulation de gaz SF₆)

Fuites survenant pendant le travail :

- CEI 60376 (nouveau gaz SF₆, gaz SF₆ technique)
- CEI 60480 (gaz SF₆ utilisé)
- CIGRE 2002 ("Le gaz SF₆ dans l'industrie électrique")

FR

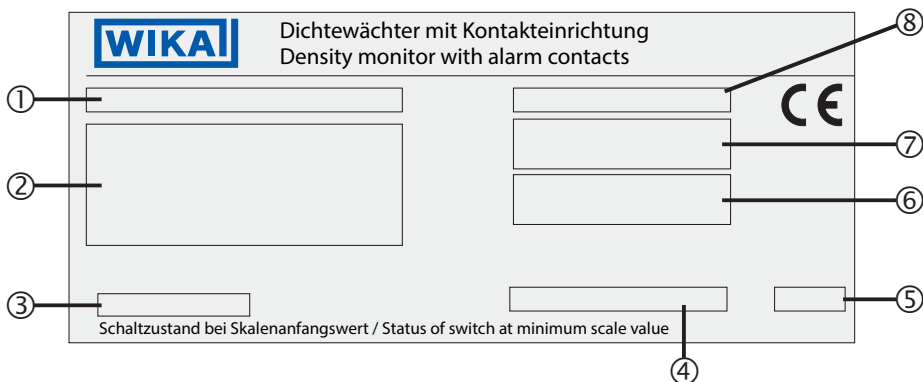


Le SF₆ est un gaz incolore et inodore, chimiquement neutre, inerte et non inflammable qui est approximativement cinq fois plus lourd que l'air, non toxique et qui ne nuit pas à la couche d'ozone.

Voir des informations détaillées dans les normes CEI 60376 et CEI 61634.

3.10 Etiquetage, marquages de sécurité

Plaque signalétique (exemple)



- ① Désignation du type
- ② Configuration du raccordement
- ③ Remplissage de boîtier
- ④ P# numéro produit
- ⑤ Date de fabrication
- ⑥ Seuils de commutation
- ⑦ Caractéristiques électriques
- ⑧ Désignation de type du contact électrique

4. Transport, emballage et stockage

4.1 Transport

Vérifier s'il existe des dégâts sur l'instrument liés au transport.
Communiquer immédiatement les dégâts constatés.



ATTENTION !

Dommages liés à un transport inapproprié

Un transport inapproprié peut donner lieu à des dommages importants.

- ▶ Lors du déchargement des colis à la livraison comme lors du transport des colis en interne après réception, il faut procéder avec soin et observer les consignes liées aux symboles figurant sur les emballages.
- ▶ Lors du transport en interne après réception, observer les instructions du chapitre 4.2 "Emballage et stockage".

4.2 Emballage et stockage

N'enlever l'emballage qu'avant le montage.

Conserver l'emballage, celui-ci offre, lors d'un transport, une protection optimale (par ex. changement de lieu d'utilisation, renvoi pour réparation).



AVERTISSEMENT !

Blessures physiques et dommages aux équipements et à l'environnement causés par les produits de décomposition dangereux

Enlever tous les produits de décomposition résiduels avant l'entreposage de l'instrument.

- ▶ Pour le nettoyage, voir chapitre 7.2 "Nettoyage"

Conditions admissibles sur le lieu de stockage :

- Température de stockage : -50 ... +60 °C [-58 ... +140 °F]
- Humidité : ≤ 90 % h. r. (sans condensation)

Eviter les influences suivantes :

- Suie, vapeur, poussière et gaz corrosifs
- Environnements dangereux, atmosphères inflammables

Conserver l'instrument dans l'emballage original dans un endroit qui satisfait aux conditions susmentionnées. Si l'emballage d'origine n'est pas disponible, emballer et stocker l'instrument comme suit :

1. Placer l'instrument avec le matériau isolant dans l'emballage.
2. En cas d'entreposage pour une longue période (plus de 30 jours), mettre également un sachet absorbant d'humidité dans l'emballage.

5. Mise en service, utilisation

5.1 Montage mécanique



ATTENTION !

Blessures physiques et dommages aux équipements et à l'environnement liés à un instrument défectueux

Avant la mise en service, l'instrument doit être soumis à un contrôle visuel. L'instrument ne doit être utilisé qu'en parfait état de sécurité technique.

FR

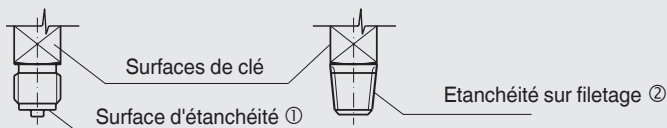
5.1.1 Exigences relatives au point de montage

- Pour les applications en extérieur, l'emplacement sélectionné de l'installation doit être adapté à l'indice de protection spécifié, de sorte que l'instrument ne soit pas exposé à des conditions météorologiques inadmissibles.
- Les surfaces d'étanchéité sur l'instrument et au point de mesure doivent être non-endommagées et propres.

5.1.2 Installation

- Avec le transport et le stockage, il peut arriver que les densimètres se réchauffent ou se refroidissent et que cela provoque des mouvements de l'aiguille. Ces mouvements d'aiguille sont causés par le système de compensation. Pour assurer que les instruments se sont suffisamment adaptés à la température ambiante, il faut respecter une durée d'acclimatation d'au moins 2 heures à 20 °C [68 °F]. Alors, en état dépressurisé, l'aiguille résidera dans les limites de la barre de tolérance.
- En correspondance avec les réglementations techniques générales pour les manomètres (par exemple EN 837-2 "Recommandations pour la sélection et l'installation de manomètres"), lors du vissage de l'instrument, le couple de serrage ne doit pas être appliqué sur le boîtier mais seulement sur le carré prévu à cet effet et ce avec un outil approprié.
- Lorsque vous vissez, ne pas abîmer les filetages.

Pour les filetages parallèles, utiliser des joints d'étanchéité plats, des bagues d'étanchéité de type lentille ou des joints à écrasement WIKA sur la face d'étanchéité ①. Pour des filetages coniques (par exemple des filetages NPT), l'étanchéité doit se faire sur les filetages ② en utilisant un matériau d'étanchéité approprié (EN 837-2). Le couple de serrage dépend du joint d'étanchéité utilisé. Pour orienter l'instrument de mesure de sorte qu'il puisse être consulté aussi bien que possible, un raccordement avec un écrou de réglage LH-RH ou un écrou-chapeau doit être utilisé. Au cas où un instrument est équipé d'une paroi arrière éjectable, celle-ci doit être protégée contre un blocage par des pièces d'appareil et contre la crasse.



5.1.3 Charge de température

L'installation de l'instrument doit être faite de telle sorte que la température de fonctionnement, compte tenu également des effets de convection et de rayonnement thermique, ne dépasse ni ne tombe au-dessous des limites admissibles.

L'influence de la température sur la précision de l'indication et de la mesure doit être considérée.

5.2 Montage électrique

- L'instrument doit être mis à la terre par le raccord process.
- Protéger les départs de câble contre la pénétration d'humidité.
- Choisir un diamètre de câble qui correspond au passe-câble du connecteur. Vérifier que le passe-câble de la prise montée est bien serré et que les joints sont bien présents et intacts. Serrer la liaison fileté et vérifier que le joint est bien fixé pour assurer l'indice de protection.
- L'affectation des branchements et les fonctions de commutation sont indiquées sur la plaque signalétique. Les bornes de raccordement ainsi que la borne de terre sont marquées en conséquence.

5.2.1 Valeurs limites pour le pouvoir de coupure avec charge résistive

	Instruments remplis de gaz	Instruments remplis de liquide
Tension nominale de fonctionnement maximum U_{eff}	250 VAC	250 VAC
Courant de service nominal		
Courant de démarrage	1 A	1 A
Courant de coupure	1 A	1 A
Courant continu	0,6 A	0,6 A
Puissance de commutation maximale	30 W, 50 VA	20 W, 20 VA

Ne pas dépasser les valeurs limites. Pour garantir un fonctionnement sûr à long terme, nous recommandons les charges suivantes :

5. Mise en service, utilisation

Tension (selon CEI 38)	Instruments remplis de gaz			Instruments remplis de liquide		
	Charge résistive		Charge inductive	Charge résistive		Charge inductive
DC/AC	DC	AC	$\cos \varphi > 0,7$	DC	AC	$\cos \varphi > 0,7$
230 V	100 mA	120 mA	65 mA	65 mA	90 mA	40 mA
110 V	200 mA	240 mA	130 mA	130 mA	180 mA	85 mA
48 V	300 mA	450 mA	200 mA	190 mA	330 mA	130 mA
24 V	400 mA	600 mA	250 mA	250 mA	450 mA	150 mA

FR

Sous basses tensions, le courant de commutation ne doit, pour des raisons de sécurité de commutation, pas être inférieur à 20 mA.



Pour des charges plus élevées et dans le cas d'instruments avec boîtier rempli de liquide, nous recommandons d'utiliser les relais de protection WIKA type 905.1X.

Dispositif de protection de surtension

Aucun dispositif de protection de surtension n'est installé dans les instruments. Si des dispositifs de protection de surtension s'avèrent nécessaires, les valeurs suivantes en conformité avec EN 60947-5-1 doivent être recommandées.

- Tension 24 V : 2 A
- Tension 250 V : 1 A

5.2.2 Dispositifs de protection pour contact

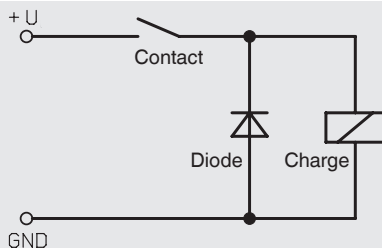
Les contacts mécaniques ne doivent pas dépasser les valeurs électriques indiquées pour le courant de commutation, la tension de commutation et la puissance de commutation indépendamment les uns des autres, même pour une durée brève.

Pour les charges capacitatives ou inductives, nous recommandons l'un des circuits de protection suivants :

Charge inductive sous tension continue

En cas de tension continue, la protection par contact peut être obtenue par une diode de récupération de self-induction commutée parallèlement à la charge. La polarité de la diode doit garantir qu'elle bloque lorsque la tension de service est appliquée.

Exemple :
Dispositif de protection
avec diode de
récupération de self-
induction

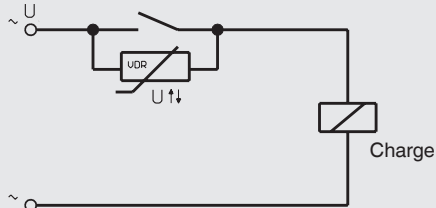


5. Mise en service, utilisation

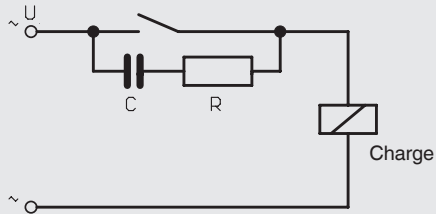
Charge inductive sous tension alternative

En cas de tension alternative, il existe deux dispositifs de protection :

Exemple :
Exemple : dispositif de protection avec une varistance VDR



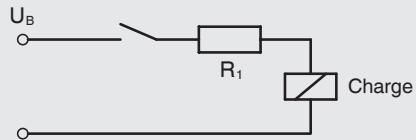
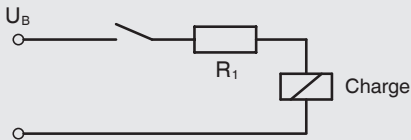
Exemple :
Dispositif de protection avec élément RC



Charge capacitive

En cas de charges capacitives, des courants de démarrage plus importants apparaissent. Ils peuvent être réduits par la commutation en série de résistances dans le câble d'alimentation.

Exemples : dispositif de protection avec résistance pour limiter le courant



FR

5.3 Réglage du point de seuil

Les points de seuil ont un réglage fixe en standard et ne peuvent pas être réglés. Ainsi, un réglage intempestif des points de seuil est exclu.

Avec des points de seuil réglables spécifiques au client, avec la clé de réglage fournie avec la livraison, il est possible de régler le point voulu au moyen du verrouillage de réglage situé dans le voyant.



6. Dysfonctionnements



ATTENTION !

Blessures physiques et dommages aux équipements et à l'environnement

Si les défauts ne peuvent pas être éliminés au moyen des mesures listées, l'instrument doit être mis hors service immédiatement.

- ▶ S'assurer que la pression ou le signal n'est plus présent et protéger contre une mise en service accidentelle.
- ▶ Contacter le fabricant.
- ▶ S'il est nécessaire de retourner l'instrument au fabricant, respecter les indications mentionnées au chapitre 9.2 "Retour".



Pour le détail des contacts voir le chapitre 1 "Généralités" ou au dos du mode d'emploi.

Dysfonctionnements	Raisons	Mesures
Le contact ne commute plus en conformité avec la spécification	Le raccordement électrique est interrompu	Effectuer un test de continuité sur les lignes de raccordement électrique
	L'alimentation ne convient pas pour le type de contact électrique	Vérifier l'alimentation admissible pour ce type de contact électrique
	Contact contaminé	
L'état de commutation demeure inchangé bien que le point de seuil ou de réinitialisation ait été atteint	Contacts défectueux (par exemple zone de contact fondue)	Remplacer l'instrument. Avant de mettre en service le nouvel instrument, installer un circuit de protection pour le contact
L'aiguille ne bouge pas malgré un changement au niveau de la pression	Mouvement bloqué	Remplacer l'instrument
L'aiguille bouge, même si l'instrument est hors pression	Réchauffement ou refroidissement de l'instrument de mesure (aucun dommage)	Laisser reposer l'instrument pendant 2 heures à 20 °C [68 °F]

Pour des réclamations, il faudra fournir les numéros de série et de produit. Le numéro de série est imprimé sur le cadran, le numéro de produit se trouve sur la plaque signalétique. Lors d'une réclamation, il faudra indiquer la pression atmosphérique et la température pendant la mesure ainsi que les données concernant l'étalon de référence (type, classe).

7. Entretien, nettoyage et réétalonnage

7.1 Entretien

Ces densimètres ne nécessitent pas d'entretien.

Un contrôle de l'affichage et de la fonction de commutation est recommandé 1 à 2 fois/an. Pour ce faire, l'appareil doit être déconnecté du compartiment de gaz à l'aide d'un dispositif de contrôle de la pression.

Les réparations ne doivent être effectuées que par le fabricant.

Les instruments ne doivent pas être ouverts, car cela peut conduire à des erreurs d'affichage et de point de seuil.

7.2 Nettoyage



ATTENTION !

Blessures physiques et dommages aux équipements et à l'environnement

Un nettoyage inapproprié peut conduire à des blessures physiques et à des dommages aux équipements ou à l'environnement. Les produits de décomposition se trouvant dans l'instrument démonté peuvent mettre en danger les personnes, l'environnement ainsi que l'installation.

► Effectuer la procédure de nettoyage comme décrit ci-dessous.

1. Avant le nettoyage, déconnecter correctement l'instrument de la source de pression et couper le courant.
2. Utiliser l'équipement de protection requis.
3. Nettoyer l'instrument avec un chiffon humide.
Éviter tout contact des raccords électriques avec l'humidité !



ATTENTION !

Dommages à l'instrument

Un nettoyage inapproprié peut conduire à l'endommagement de l'instrument !

- Ne pas utiliser de détergents agressifs.
- Ne pas utiliser d'objets pointus ou durs pour le nettoyage.

4. Laver et décontaminer l'instrument démonté afin de protéger les personnes et l'environnement contre une exposition aux produits de décomposition résiduels.



Des informations relatives à la procédure de retour sont disponibles sur notre site Internet à la rubrique "Services".

7.3 Etalonnage

En ce qui concerne la sécurité du disjoncteur, la protection des objets et la protection de l'environnement, il est courant d'effectuer régulièrement des contrôles de fonctionnement des instruments de mesure. L'article 5 du règlement UE N° 517/2014 sur les gaz à effet de serre fluorés prévoit un contrôle du système de détection des fuites au moins tous les 6 ans s'il contient plus de 22 kg de gaz SF₆ et si l'installation a été mise en service après le 1er janvier 2017.

A l'aide de la vanne d'étalonnage en option solidement soudée, le densimètre pour gaz peut être coupé du process et réétalonné sans avoir à le démonter. Cela permet non seulement de réduire le temps d'entretien, mais aussi de minimiser les risques d'émissions de gaz SF₆ et de fuites potentielles lors de la remise en service de l'installation.

Lors du raccordement d'un instrument de test (par exemple type ACS-10 ou BCS-10) à la vanne de réétalonnage, le densimètre pour gaz est automatiquement déconnecté du compartiment de gaz et un réétalonnage peut être effectué. L'instrument de test peut alors être déconnecté de la vanne de réétalonnage et le raccordement au compartiment de gaz est rétabli automatiquement.

La vanne de réétalonnage est également disponible comme solution a posteriori pour des densimètres pour gaz ou d'autres systèmes de détection de fuites déjà installés sur le terrain, comme le type GLTC-CV, et peut être installée entre le compartiment de gaz et le densimètre.

FR

Étalonnage du densimètre pour gaz avec raccord pour test et vanne de fermeture



ATTENTION !

Discontinuité dans la fonction d'affichage

Lors de l'étalonnage, le densimètre doit être isolé du compartiment de gaz qui est en train d'être contrôlé. En cas de fuite, on ne pourra donner aucune alerte.

- ▶ Après étalonnage, débrancher l'instrument de réétalonnage utilisé (par exemple type ACS-10 ou BCS-10) de la liaison d'étalonnage.

Couple de serrage, raccord pour test : 60 Nm \pm 10 %

1. Relier le gaz de test et l'étalon de test avec le raccord pour test.
 - Le densimètre est isolé du compartiment de gaz.
2. Effectuer l'étalonnage.
3. Isoler le gaz de test et l'étalon de test du raccord pour test.
 - Le densimètre est relié au compartiment de gaz.

8. Démontage, retour et mise au rebut

8.1 Démontage



AVERTISSEMENT !

Blessures physiques et dommages aux équipements et à l'environnement causés par les produits de décomposition dangereux

Lors du contact avec des produits de décomposition dangereux, il y a un risque de blessures physiques et de dommages aux équipements et à l'environnement.

- ▶ Porter les équipements de protection requis (voir chapitre 3.6 "Équipement de protection individuelle").

Avant de démonter l'instrument, évacuer le gaz de remplissage.
Ne démonter l'instrument que s'il est dépressurisé et libre de courant.

8.2 Retour



AVERTISSEMENT !

En cas d'envoi de l'instrument, il faut respecter impérativement ceci :

Tous les instruments retournés à WIKA doivent être exempts de toute substance dangereuse (par exemple des produits de décomposition) et doivent donc être nettoyés avant d'être retournés.

Pour retourner l'instrument, utiliser l'emballage original ou un emballage adapté pour le transport.

Pour éviter des dommages :

1. Placer l'instrument avec le matériau isolant dans l'emballage.
Isoler de manière uniforme tous les côtés de l'emballage de transport.
2. Mettre si possible un sachet absorbant d'humidité dans l'emballage.



Des informations relatives à la procédure de retour sont disponibles sur notre site Internet à la rubrique "Services".

8.3 Mise au rebut

Une mise au rebut inadéquate peut entraîner des dangers pour l'environnement. Éliminer les composants des instruments et les matériaux d'emballage conformément aux prescriptions nationales pour le traitement et l'élimination des déchets et aux lois de protection de l'environnement en vigueur.

9. Spécifications

Spécifications

Diamètre	100
Pression d'étalonnage P_E	Selon la spécification du client
Caractéristiques de précision	± 1 % à une température ambiante de 20 °C [68 °F] $\pm 2,5$ % à une température ambiante de -20 ... +60 °C [-4 ... +140 °F] et avec une pression d'étalonnage en conformité avec l'isochore de référence (diagramme de référence KALI-Chemie AG, Hanovre, préparé par Dr. Döring 1979)
Echelle de mesure	Etendue de vide et de surpression avec intervalle de mesure de 1,6 ... 25 bar (à une température ambiante de 20 °C [68 °F] et phase gazeuse)

9. Spécifications

Spécifications

Température ambiante admissible

Utilisation	-20 ... +60 °C [-4 ... +140 °F], phase gazeuse
Stockage	-50 ... +60 °C [-58 ... +140 °F]
Raccord process	G ½ B selon EN 837, raccord vertical Acier inox, méplats de clé 22 mm
Élément de mesure	Acier inox, soudé Étanche au gaz : taux de fuite $\leq 1 \cdot 10^{-8}$ mbar · l / s Méthode de test : spectrométrie de masse hélium
Mouvement	Acier inox Bielle bimetallique (compensation en température)
Cadran	Aluminium Echelle de mesure divisée en rouge, jaune et vert
Aiguille	Aluminium, noir
Boîtier	Acier inox Étanche au gaz : taux de fuite $\leq 1 \cdot 10^{-5}$ mbar · l / s
Voyant	Verre de sécurité feuilleté ou matière plastique transparente ne s'écaillant pas
Joint	Lunette à baïonnette, acier inox, sécurisée au moyen de 3 points de soudure
Humidité de l'air admissible	≤ 90 % h. r. (sans condensation)
Indice de protection	IP65 selon CEI 60529
Poids	
Avec remplissage de gaz	ENV 0,8 kg
Avec fluide de remplissage	ENV 1,2 kg
Test haute tension 100 %	2 kV, 50 Hz, 1 s
Raccordement électrique	Prise de câble avec raccord coulissant M20 x 1,5 Section de fil max. 2,5 mm ²
Nombre de contacts électriques	1 ... 3 contacts secs magnétiques
Directions de commutation	Pression descendante ou pression montante
Fonctions de commutation	Normalement ouvert, normalement fermé, contact inverseur
Circuits	Reliés galvaniquement (pas pour contact inverseur) ou avec isolation galvanique
Précision de commutation	
Point de seuil = pression d'étalonnage P_E	Voir caractéristiques de précision
Point de seuil \neq pression d'étalonnage P_E	Parallèle à l'isochore de référence de la pression d'étalonnage

FR

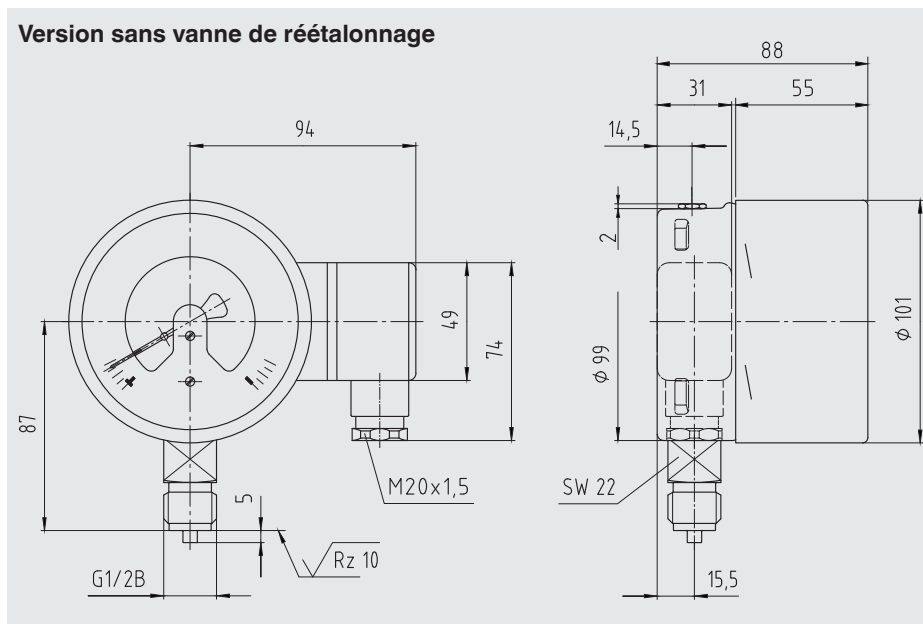
9. Spécifications

Spécifications	
Tension de commutation max.	250 VAC
Pouvoir de coupure	Avec remplissage de gaz : 30 W / 50 VA, max. 1 A Avec fluide de remplissage : 20 W / 20 VA, max. 1 A
Matériau des contacts électriques	80 % Ag / 20 % Ni, plaqués or
Vanne d'étalonnage	
Joints de soudure	Qualifiés en conformité avec la norme DIN EN ISO 15613 en combinaison avec DIN EN ISO 15614-1 et DIN EN ISO 15614-12 par l'organisme notifié TÜV Süd
Couple de serrage du raccord pour test	60 Nm \pm 10 %
Etanche au gaz	Taux de fuite $\leq 1 \cdot 10^{-8}$ mbar · l / s

FR

Pour de plus amples spécifications, voir la documentation de commande.

Dimensions en mm



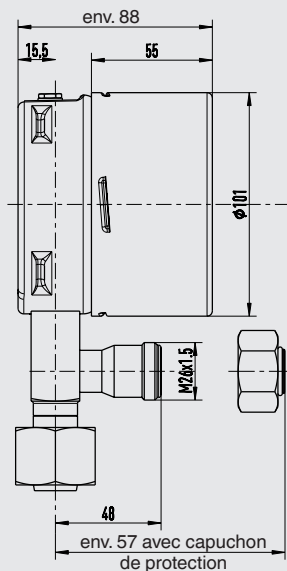
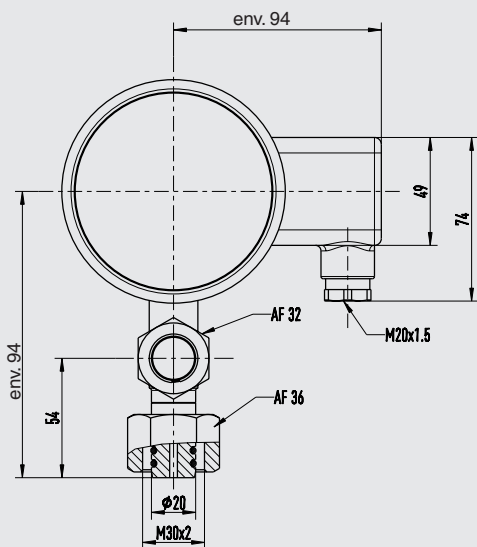
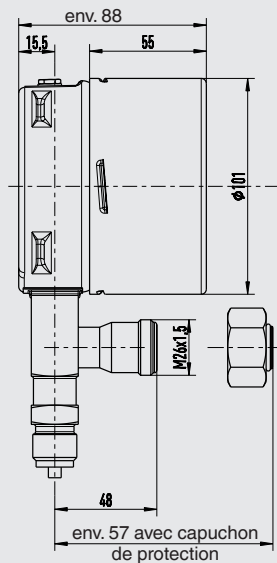
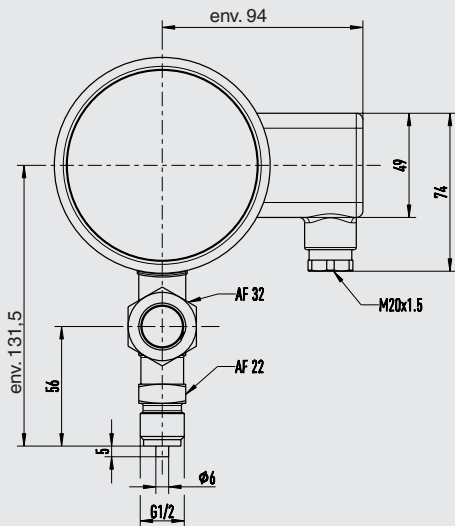
9. Spécifications

FR


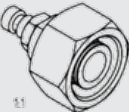
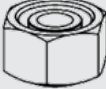

Version avec vanne d'étalonnage

Tout agencement de la vanne de test est possible

Autres raccords process sur demande



10. Accessoires

Description	Code article
 <p>Vanne de réétalonnage pour montage a posteriori sur des densimètres pour gaz ou d'autres systèmes de détection de fuites déjà installés sur le terrain, type GLTC-CV Tout agencement de la vanne de test est possible Autres raccords process sur demande</p>	Fiche technique WIKA SP 60.08
 <p>Adaptateur du raccord pour test (M26 x 1,5) sur raccord rapide</p>	14146937
 <p>Bouchon de protection pour raccordement de test (M26 x 1,5)</p>	14193772
 <p>Système d'étalonnage pour instruments de mesure de la densité de gaz SF₆</p>	Fiche technique WIKA SP 60.08

FR

Les accessoires WIKA se trouvent en ligne sur www.wika.fr.

Contenido

1. Información general	72
2. Diseño y función	73
3. Seguridad	74
4. Transporte, embalaje y almacenamiento	79
5. Puesta en servicio, funcionamiento	80
6. Errores	84
7. Mantenimiento, limpieza y recalibración	85
8. Desmontaje, devolución y eliminación de residuos	87
9. Datos técnicos	88
10. Accesorios	92

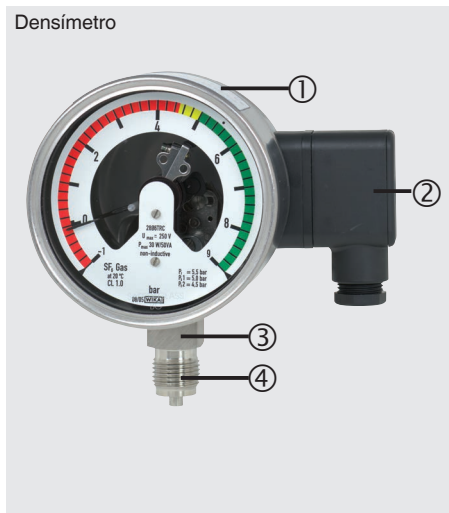
1. Información general

- El instrumento descrito en el manual de instrucciones está construido y fabricado según el estado actual de la técnica. Todos los componentes están sometidos durante su fabricación a estrictos criterios de calidad y medioambientales. Nuestros sistemas de gestión están certificados según ISO 9001 e ISO 14001.
- Este manual de instrucciones proporciona indicaciones importantes acerca del manejo del instrumento. Para un trabajo seguro, es imprescindible cumplir con todas las instrucciones de seguridad y manejo indicadas.
- Cumplir siempre las normativas sobre la prevención de accidentes y las normas de seguridad en vigor en el lugar de utilización del instrumento.
- El manual de instrucciones es una parte integrante del instrumento y debe guardarse en la proximidad del mismo para que el personal especializado pueda consultarlo en cualquier momento. Entregar el manual de instrucciones al usuario o propietario siguiente del instrumento.
- El personal especializado debe haber leído y entendido el manual de instrucciones antes de comenzar cualquier trabajo.
- Se aplican las condiciones generales de venta incluidas en la documentación de venta.
- Modificaciones técnicas reservadas.
- Para obtener más información consultar:
 - Página web: www.wika.es / www.wika.com
 - Hojas técnicas correspondientes:
 - SP 60.02 Modelo GDM-100
 - SP 61.16 Modelo GLTC-CV
 - Servicio técnico:
 - Tel.: +34 933 938 630
 - Fax: +49 9372 132-406
 - info@wika.es

2. Diseño y función

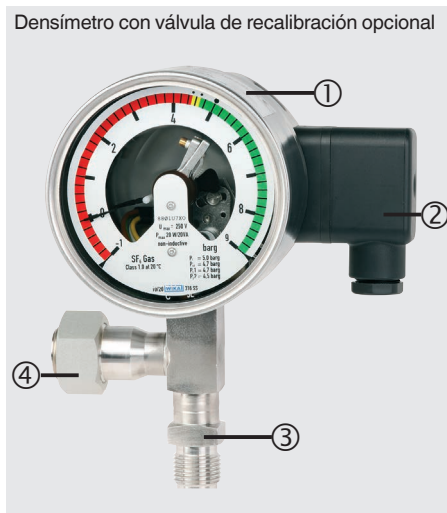
2.1 Resumen

Densímetro



- ① Placa de identificación
- ② Conexión eléctrica, conector hembra
- ③ Conexión a proceso, área para llave
- ④ Conexión a proceso, rosca

Densímetro con válvula de recalibración opcional



- ① Placa de identificación
- ② Conexión eléctrica, conector hembra
- ③ Conexión a proceso (cámara de gas)
- ④ Conexión de prueba (presión de calibración)

ES

2.2 Descripción

Contactos eléctricos

Los contactos eléctricos instalados en el densímetro se cierran o se abren, según la función de conmutación, al alcanzar determinados valores límites ajustados. Las funciones de conmutación son: contacto normalmente cerrado, contacto normalmente abierto, conmutador

Los contactos magnéticos de acción rápida son interruptores de control que abren o cierran circuitos eléctricos conectados mediante un brazo de contacto movido por la aguja del instrumento.

Válvula de recalibración opcional

En lo que respecta a la seguridad de la instalación, la protección de los activos y la protección del medio ambiente, es conveniente realizar periódicamente comprobaciones del funcionamiento de los instrumentos de medición. El artículo 5 del Reglamento Nº 517/2014 de la UE sobre gases fluorados de efecto invernadero establece un control del sistema de detección de fugas al menos cada 6 años si se contiene más de 22 kg de gas SF₆ y el sistema se puso en funcionamiento después del 1/1/2017.

Con la ayuda de la válvula de recalibración opcional soldada de forma fija, el monitor de densidad de gas puede ser desconectado del proceso y recalibrado sin tener que desmontarlo. Además del tiempo de mantenimiento, esto también reduce el riesgo de emisiones de gas SF₆ y de posibles fugas durante la nueva puesta en servicio.

Al conectar un instrumento de prueba (por ejemplo, el modelo ACS-10 o el modelo BCS-10) a la válvula de recalibración, el densímetro se desconecta automáticamente del compartimento de gas y se puede realizar una recalibración. El instrumento de prueba puede desconectarse de la válvula de recalibración y la conexión con el compartimento de gas se restablece automáticamente.

La válvula de recalibración también está disponible como solución de readaptación para los densímetros y otros sistemas de detección de fugas ya instalados en el lugar, como el modelo GLTC-CV, que puede montarse entre el compartimento de gas y el densímetro.

2.3 Alcance del suministro

Comparar mediante el albarán si se han entregado todas las piezas.

3. Seguridad

3.1 Explicación de símbolos



¡ADVERTENCIA!

... señala una situación probablemente peligrosa que puede causar la muerte o lesiones graves si no se evita.



¡CUIDADO!

... señala una situación probablemente peligrosa que puede causar lesiones leves o medianas o daños materiales y al medio ambiente si no se evita.



Información

... destaca consejos y recomendaciones útiles así como informaciones para una utilización eficiente y libre de errores.

3.2 Uso conforme a lo previsto

El densímetro modelo GDM-100 se utiliza allí donde la densidad del gas SF₆ tiene que ser mostrada en el sitio y al mismo tiempo tienen que conmutarse los circuitos. Los densímetros son manómetros de contacto modificados, especialmente desarrollados para el uso con gas SF₆. Las influencias de la temperatura que actúan sobre el gas SF₆ se compensan mediante un sistema de compensación.

Los densímetros son óptimos para aplicaciones habituales en celdas aisladas en gas (gas SF₆ puro, mezclas de gases, presión de calibración, puntos de conmutación....). Antes del uso, comprobar la idoneidad del dispositivo para la aplicación prevista.

Los valores de aislamiento (espacios de aire y líneas de fuga) están especificados según EN 61010-1:2010 para las siguientes condiciones ambientales:

- Altitud hasta 2.000 m
- Categoría de sobretensión II
- Grado de suciedad 2
- Humedad relativa: 0 ... 95 % no condensable (según DIN 40040)
- La dureza del instrumento de medición (componentes no metálicos envolventes) se ha comprobado con una energía de impacto de 2 J correspondiente a IK07 según EN 61010-1:2010. El código IK se debe consultar en la placa de identificación correspondiente.

Utilizar el instrumento únicamente en aplicaciones que están dentro de sus límites de rendimiento técnicos (por ej. temperatura ambiente máxima, compatibilidad de materiales, ...).

→ Para límites de rendimiento véase el capítulo 9 "Datos técnicos".

¡Este dispositivo no está homologado para aplicaciones en zonas potencialmente explosivas!

El instrumento ha sido diseñado y construido únicamente para la finalidad aquí descrita y debe utilizarse en conformidad a la misma.

Cumplir las especificaciones técnicas de este manual de instrucciones. Un manejo no apropiado o una utilización del instrumento no conforme a las especificaciones técnicas requiere la inmediata puesta fuera de servicio y la comprobación por parte de un técnico autorizado por WIKA.

No se admite ninguna reclamación debido a una utilización no conforme a lo previsto.

3.3 Uso incorrecto



¡ADVERTENCIA!

Lesiones por uso incorrecto

El uso incorrecto del dispositivo puede causar lesiones graves o la muerte.

- ▶ Abstenerse de realizar modificaciones no autorizadas del dispositivo.
- ▶ No utilizar el dispositivo en zonas potencialmente explosivas.

Cualquier uso que no sea el previsto para este dispositivo es considerado como uso incorrecto.

ES

3.4 Responsabilidad del usuario

El dispositivo se utiliza en el sector industrial. Por lo tanto, el usuario está sujeto a las responsabilidades legales para la seguridad en el trabajo.

Se debe cumplir las notas de seguridad en este manual de instrucciones, así como la validez de las normas de seguridad de la unidad, de prevención de accidentes y protección del medio ambiente.

El usuario está obligado a mantener la placa de identificación bien legible.

Para realizar un trabajo seguro en el instrumento el usuario ha de asegurarse de que,

- esté disponible un kit de primeros auxilios que siempre esté presente y ayude en caso necesario.
- los operadores reciban periódicamente instrucciones sobre todos los temas de seguridad de trabajo, primeros auxilios y protección del medio ambiente, y conozcan además el manual de instrucciones y en particular las instrucciones de seguridad del mismo.
- el instrumento sea adecuado de acuerdo con el uso previsto para la aplicación.
- que el equipo de protección personal esté disponible.

3.5 Cualificación del personal



¡ADVERTENCIA!

Riesgo de lesiones debido a una insuficiente cualificación

Un manejo no adecuado puede causar considerables daños personales y materiales.

- ▶ Las actividades descritas en este manual de instrucciones deben realizarse únicamente por personal especializado con la consiguiente cualificación.

Personal especializado

Debido a su formación profesional, a sus conocimientos de la técnica de regulación y medición así como a su experiencia y su conocimiento de las normativas, normas y directivas vigentes en el país de utilización el personal especializado autorizado por el usuario es capaz de ejecutar los trabajos descritos y reconocer posibles peligros por sí solo.

Especial para aplicaciones con gas SF₆

El propietario debe asegurar que la manipulación del gas SF₆ esté a cargo de una empresa calificada para ello o de personal capacitado conforme a IEC 61634, sección 4.3.1 o IEC 60480, sección 10.3.1.

3.6 Equipo de protección individual

El equipo de protección individual protege al personal especializado contra peligros que puedan perjudicar la seguridad y salud del mismo durante el trabajo. El personal especializado debe llevar un equipo de protección individual durante los trabajos diferentes en y con el instrumento.

¡Cumplir las indicaciones acerca del equipo de protección individual en el área de trabajo!

ES

El usuario debe proporcionar el equipo de protección individual.



Gafas de protección según EN 166 clase 2, resistencia mecánica clase S

Las gafas protectoras deben llevarse todo el tiempo mientras se trabaja con los flexibles o con los depósitos de gas (p. ej. cilindros de gas, depósitos).

Las gafas de protección protegen los ojos de piezas desplazadas por el aire, escapes de gas y salpicaduras de líquidos.



Guantes de protección contra el calor según EN ISO 13732-1 y contra el frío según EN ISO 13732-3

Los guantes de protección deben usarse durante toda la duración de los trabajos en las mangueras o depósitos de gas (p. ej. cilindros de gas, depósitos) o en piezas que se calienten por encima de 60 °C [140 °F].

3.7 Manipulación de gases aislantes y mezclas de gases

El gas SF₆ es un gas de efecto invernadero listado en el protocolo de Kyoto. El gas SF₆ no se debe descargar a la atmósfera, debe recogerse en recipientes adecuados.

Características de los gases aislantes

- Incoloros e inodoros
- Químicamente neutrales
- Inertes
- No inflamables
- Más pesados que el aire
- Sin toxicidad
- No dañan el ozono

Los datos detallados se encuentran en el IEC 60376 y e IEC 61634.

Peligro de asfixia debido a gases aislantes y mezclas de gases

Elevadas concentraciones de gases pueden producir asfixia, ya que la inhalación del gas expulsa el aire de respiración de los pulmones.

Dado que el gas SF₆ es más pesado que el aire, se acumula sobre todo en las proximidades del piso o en recintos situados debajo del nivel de referencia (p. ej. sótanos). Esto es particularmente peligroso, ya que el gas SF₆ es incoloro e inodoro, por lo cual no es percibido por los seres humanos.

3.8 Peligro debido a productos de descomposición

Debido a la acción de arcos eléctricos, el gas aislante en instalaciones eléctricas puede contener productos de descomposición:

- Fluoruro de azufre gaseoso
- Oxifluoruros de azufre
- Fluoruros metálicos sólidos y atomizados, sulfuros metálicos, óxidos metálicos
- Fluoruro de hidrógeno
- Dióxido de azufre

Los productos de descomposición pueden ser nocivos para la salud.

- La inhalación, la ingestión o el contacto con la piel pueden producir una intoxicación.
- Los ojos, los órganos respiratorios o la piel pueden sufrir irritaciones y lesiones cáusticas.
- La inhalación de grandes cantidades puede dañar los pulmones.

Observar las siguientes indicaciones de seguridad para evitar peligros provenientes los gases aislantes:

- Usar equipo de protección individual.
- Leer la hoja de datos de seguridad del proveedor de gas.
- En caso de fugas mayores abandonar de inmediato el lugar.
- Procurar una buena ventilación.
- Asegurar la estanqueidad de los equipos mediante un detector de fugas (p. ej. modelo GIR-10).

3.9 Normas y directivas aplicables para la instalación, el montaje, la puesta en servicio:

- BGI 753 (Instalaciones y equipos de SF₆ en Alemania)
- IEC 61634 (manipulación de gas SF₆)
- IEC 60376 (gas SF₆ nuevo, gas SF₆ técnico)
- IEC 60480 (gas SF₆ usado)
- CIGRE report 276, 2005 (Practical SF₆ gas handling instructions)

Fugas durante el funcionamiento:

- IEC 60376 (gas SF₆ nuevo, gas SF₆ técnico)
- IEC 60480 (gas SF₆ usado)
- CIGRE 2002 („SF₆ gas in the electrical industry“)

3. Seguridad / 4. Transporte, embalaje y almacenamiento

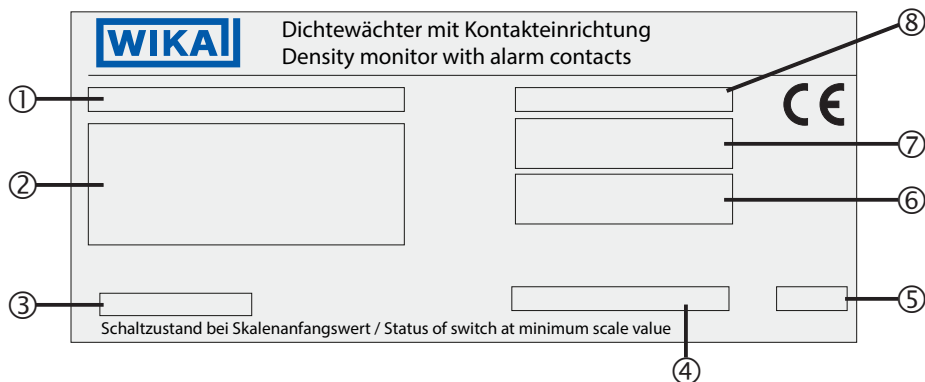


El gas SF₆ es incoloro e inodoro, químicamente neutro, inerte, no inflamable, y cerca de cinco veces más pesado que el aire; no es tóxico y no daña el ozono.

Los datos detallados se encuentran en el IEC 60376 y e IEC 61634.

3.10 Rótulos, marcajes de seguridad

Placa de identificación (ejemplo)



ES

- ① Indicación de modelo
- ② Detalles del conexionado
- ③ Relleno de la caja
- ④ P# Número de producto
- ⑤ Fecha de fabricación
- ⑥ Umbrales de conexión
- ⑦ Características eléctricas
- ⑧ Indicación de modelo del contacto eléctrico

4. Transporte, embalaje y almacenamiento

4.1 Transporte

Comprobar si el instrumento presenta eventuales daños causados en el transporte.
Notificar daños obvios de forma inmediata.



¡CUIDADO!

Daños debidos a un transporte inadecuado

Transportes inadecuados pueden causar daños materiales considerables.

- ▶ Tener cuidado al descargar los paquetes durante la entrega o el transporte dentro de la compañía y respetar los símbolos en el embalaje.
- ▶ Observar las instrucciones en el capítulo 4.2 “Embalaje y almacenamiento” en el transporte dentro de la compañía.

4.2 Embalaje y almacenamiento

No quitar el embalaje hasta justo antes del montaje.

Guardar el embalaje ya que es la protección ideal durante el transporte (por. ej. si el lugar de instalación cambia o si se envía el instrumento para posibles reparaciones).



¡ADVERTENCIA!

Lesiones corporales, daños materiales y del medio ambiente causados por productos de descomposición peligrosos

Todos los productos de descomposición adheridos deben retirarse antes del almacenamiento.

► Para limpieza, véase el capítulo 7.2 “Limpieza”

ES

Condiciones admisibles en el lugar de almacenamiento:

- Temperatura de almacenamiento: -50 ... +60 °C [-58 ... +140 °F]
- Humedad: ≤ 90 % h. r. (sin condensación)

Evitar lo siguiente:

- Hollín, vapor, polvo y gases corrosivos
- Entorno potencialmente explosivo, atmósferas inflamables

Almacenar el instrumento en su embalaje original en un lugar que cumple las condiciones arriba mencionadas. Si no se dispone del embalaje original, empaquetar y almacenar el instrumento como sigue:

1. Colocar el instrumento junto con el material aislante en el embalaje.
2. Para un almacenamiento prolongado (más de 30 días) meter una bolsa con un secante en el embalaje.

5. Puesta en servicio, funcionamiento

5.1 Montaje mecánico



¡CUIDADO!

Lesiones corporales, daños materiales y del medio ambiente debido a un dispositivo defectuoso

Inspeccionar visualmente el instrumento antes de utilizarlo. Utilizar el dispositivo sólo si encuentra en condiciones de funcionamiento absolutamente seguras.

5.1.1 Requerimientos en el lugar de instalación

- En caso de aplicación al aire libre, se debe seleccionar un lugar de instalación adecuado para el tipo de protección indicado para que el instrumento no sea sometido a influencias atmosféricas inadmisibles.
- Las superficies de sellado en el instrumento y en el punto de medición deben estar libres de suciedad.

5.1.2 Instalación

- Durante el transporte o el almacenamiento, los densímetros pueden calentarse o enfriarse, lo que provoca movimientos del indicador. Estos movimientos del indicador son causados por el sistema de compensación. Para garantizar que los dispositivos se han adaptado suficientemente a la temperatura ambiente, deberán mantenerse a 20 °C [68 °F] durante al menos 2 horas. Entonces, el indicador permanece sin presión dentro de la barra de tolerancia.
- De acuerdo con las normas técnicas generales para manómetros (p. ej. EN 837-2 “Recomendaciones de selección e instalación para manómetros”), no se debe aplicar fuerza sobre la carcasa al atornillar el instrumento, sino únicamente con una herramienta adecuada sobre la superficie para llave prevista.
- No bloquear las vueltas de la rosca al enroscar.

Para roscas cilíndricas deben emplearse juntas planas, arandelas de sellado o juntas perfiladas WIKA en la superficie de sellado ①. Para roscas cónicas (p. ej., roscas NPT) el sellado se realiza en la rosca ②, con material de sellado apropiado (EN 837-2). El par de apriete depende del tipo de sellado utilizado. Para orientar el instrumento de medición en la posición que proporcionará la mejor lectura, se recomienda una conexión con manguito de sujeción LH-LR o una tuerca loca o de ajuste. Si un instrumento está dotado de un dispositivo de expulsión, es necesario protegerlo de bloqueos por piezas de aparatos o suciedad.



5.1.3 Carga de temperatura

La instalación del instrumento debe realizarse de tal forma que no se supere la temperatura de servicio admisible y que a su vez tampoco se sitúe por debajo de ella, tomando en cuenta la influencia de convección y radiación térmica.

Hay que vigilar los efectos de la temperatura sobre la precisión del indicador o de la medición.

5.2 Montaje eléctrico

- Poner a tierra el instrumento a través de la conexión a proceso.
- Con salida de cable, asegurarse de que no penetre humedad en las salidas en el extremo del cable.
- Seleccionar el correcto diámetro de cable para la entrada de cable del conector. Asegurar que el racor del conector montado esté correctamente fijado y que las juntas no presentes daños. Apretar el racor y comprobar si las juntas están bien asentadas, para garantizar el tipo de protección.
- Las conexiones y las funciones de conmutación están indicadas en la placa de identificación. Los terminales de conexión y el terminal de tierra están debidamente marcados.

5. Puesta en servicio, funcionamiento

5.2.1 Valores límite para la carga del contacto con carga resistiva

	Dispositivos llenados con gas	Dispositivos llenados con líquidos
Tensión de servicio nominal máxima U_{eff}	AC 250 V	AC 250 V
Corriente de servicio nominal		
Corriente de conexión	1 A	1 A
Corriente de desconexión	1 A	1 A
Corriente constante	0,6 A	0,6 A
Potencia máx. de ruptura	30 W, 50 VA	20 W, 20 VA

No sobrepasar los valores límites Para garantizar de manera permanente un funcionamiento seguro, se recomiendan los siguientes valores de carga:

Tensión (según IEC 38)	Dispositivos llenados con gas			Dispositivos llenados con líquidos		
	Carga resistiva		Carga inductiva	Carga resistiva		Carga inductiva
	DC	AC	$\cos \varphi > 0,7$	DC	AC	$\cos \varphi > 0,7$
230 V	100 mA	120 mA	65 mA	65 mA	90 mA	40 mA
110 V	200 mA	240 mA	130 mA	130 mA	180 mA	85 mA
48 V	300 mA	450 mA	200 mA	190 mA	330 mA	130 mA
24 V	400 mA	600 mA	250 mA	250 mA	450 mA	150 mA

En entornos caracterizados por bajas tensiones, por razones de seguridad, la corriente de conmutación no debe ser inferior a 20 mA.



Para usos con cargas más elevadas e instrumentos con cajas con relleno de líquido recomendamos los relés protectores de contacto modelo 905.1x de WIKA.

Dispositivos de seguridad contra sobrecorriente

Los instrumentos no incluyen dispositivos de seguridad contra sobrecorriente. Si se requieren dispositivos de seguridad contra sobrecorriente, recomendamos los valores siguientes según EN 60947-5-1.

- Tensión 24 V: 2 A
- Tensión 250 V: 1 A

5. Puesta en servicio, funcionamiento

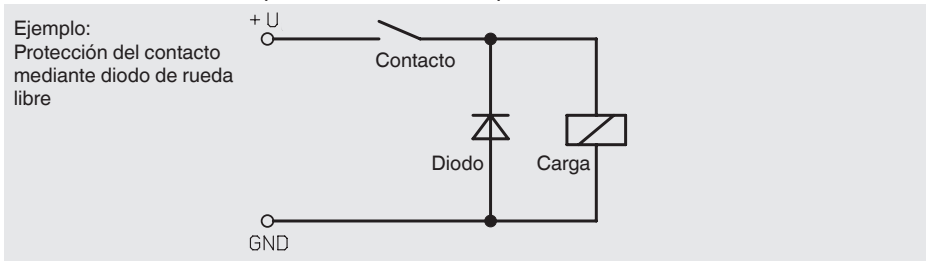
5.2.2 Medidas de protección del contacto

Los contactos mecánicos, independientemente uno de otro, no deben exceder en ningún momento los valores eléctricos de corriente, tensión de conmutación y potencia de ruptura.

Para cargas capacitativas o inductivas recomendamos uno de los siguientes circuitos protectores:

Carga inductiva sobre tensión continua

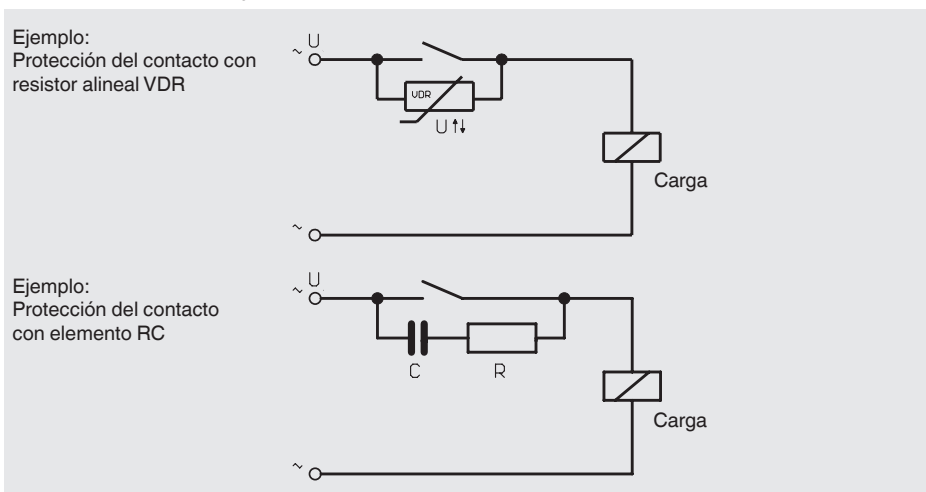
Con tensión continua puede garantizarse la protección del contacto por un diodo de rueda libre conmutado en paralelo a la carga. La polaridad del diodo debe seleccionarse de modo que cierra cuando se aplica la tensión de servicio.



ES

Carga inductiva sobre tensión alterna

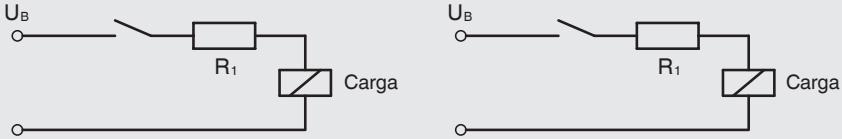
Con tensión alterna hay dos posibles medidas de protección:



Carga capacitiva

Con cargas capacitivas se producen corrientes de conexión elevadas. Estas pueden reducirse utilizando resistores conectados en serie en la línea de alimentación.

Ejemplos: Protección del contacto con resistor para limitación de corriente



ES

5.3 Ajuste del punto de conmutación

Los puntos de conmutación son fijos por defecto y no se pueden ajustar. De este modo se evita el ajuste involuntario de los puntos de conmutación.

En el caso de puntos de conmutación ajustables específicos del cliente, el valor nominal deseado se puede ajustar mediante el bloqueo de ajuste en la ventana de visualización con la llave de ajuste suministrada.



6. Errores



¡CUIDADO!

Lesiones corporales, daños materiales y del medio ambiente

Si no se pueden solucionar los defectos mencionados se debe poner el dispositivo inmediatamente fuera de servicio.

- ▶ Asegurar que el dispositivo no queda expuesto a presión o una señal y protegerlo contra usos accidentales.
- ▶ Contactar el fabricante.
- ▶ Si desea devolver el instrumento, siga las indicaciones del capítulo 9.2 "Devolución".

6. Errores / 7. Mantenimiento, limpieza y recalibración



Datos de contacto ver capítulo 1 “Información general” o parte posterior del manual de instrucciones.

Errores	Causas	Medidas
El contacto ya no conmuta según la especificación	La conexión eléctrica está interrumpida	Efectuar un control de continuidad de los cables de conexión eléctricas
	Carga eléctrica inapropiada para el modelo de contacto eléctrico	Tener en cuenta las cargas eléctricas admisibles del modelo de contacto eléctrico
	Contacto sucio	
El estado de interrupción permanece invariado a pesar de alcanzar el punto de conmutación/punto de rearme	Contactos defectuosos (p. ej. zona de contacto fundida)	Sustituir el instrumento. Antes volver a activar el nuevo instrumento, se debe colocar un circuito protector para el contacto.
Indicador sin movimiento a pesar del cambio de presión	Mecanismo de medición bloqueado	Sustituir el instrumento
Movimiento de la aguja sin presión	Calentamiento o enfriamiento del instrumento (sin avería)	Temperar la unidad durante 2 horas a 20 °C [68 °F]

ES

En caso de reclamación, deberán indicarse los números de fabricación y de producto. El número de fabricación está impreso en la esfera y el número de producto en la placa de identificación. En caso de reclamaciones, se debe indicar siempre la presión del aire y la temperatura durante la medición, así como los datos del patrón de referencia (tipo, clase).

7. Mantenimiento, limpieza y recalibración

7.1 Mantenimiento

Estos densímetros no requieren mantenimiento.

Controlar el instrumento y la función de conmutación una o dos veces al año. Para eso, separar el instrumento de la cámara de gas y controlarlo con un dispositivo de control de presión.

Todas las reparaciones solamente las debe efectuar el fabricante.

Los instrumentos no deben abrirse, ya que esto puede provocar errores en la visualización y en el punto de conmutación.

7.2 Limpieza



¡CUIDADO!

Lesiones corporales, daños materiales y del medio ambiente

Una limpieza inadecuada provoca lesiones corporales, daños materiales y del medio ambiente. Los productos de descomposición en el dispositivo desmontado pueden causar riesgos para personas, medio ambiente e instalación.

- ▶ Realizar el proceso de limpieza tal como se describe a continuación.

1. Antes de realizar la limpieza hay que separar debidamente el instrumento de cualquier fuente de presión e interrumpir la alimentación de corriente.
2. Utilizar el equipo de protección necesario.
3. Limpiar el instrumento con un trapo húmedo.
¡No poner las conexiones eléctricas en contacto con la humedad!



¡CUIDADO!

Daño al dispositivo

¡Una limpieza inadecuada puede dañar el dispositivo!

- ▶ No utilizar productos de limpieza agresivos.
- ▶ No utilizar objetos duros o puntiagudos para limpiar.

4. Enjuagar y limpiar el dispositivo desmontado para proteger a las personas y el medio ambiente contra peligros por productos de descomposición adheridos.



Comentarios sobre el procedimiento de las devoluciones encuentra en el apartado "Servicio" en nuestra página web local.

7.3 Calibración

En lo que respecta a la seguridad de la instalación, la protección de los activos y la protección del medio ambiente, es conveniente realizar periódicamente comprobaciones del funcionamiento de los instrumentos de medición. El artículo 5 del Reglamento N° 517/2014 de la UE sobre gases fluorados de efecto invernadero establece un control del sistema de detección de fugas al menos cada 6 años si se contiene más de 22 kg de gas SF₆ y el sistema se puso en funcionamiento después del 1/1/2017.

Con la ayuda de la válvula de recalibración opcional soldada de forma fija, el monitor de densidad de gas puede ser desconectado del proceso y recalibrado sin tener que desmontarlo. Además del tiempo de mantenimiento, esto también reduce el riesgo de emisiones de gas SF₆ y de posibles fugas durante la nueva puesta en servicio.

Al conectar un instrumento de prueba (por ejemplo, el modelo ACS-10 o el modelo BCS-10) a la válvula de recalibración, el densímetro se desconecta automáticamente del compartimento de gas y se puede realizar una recalibración. El instrumento de prueba puede desconectarse de la válvula de recalibración y la conexión con el compartimento de gas se restablece automáticamente.

La válvula de recalibración también está disponible como solución de readaptación para los densímetros y otros sistemas de detección de fugas ya instalados en el lugar, como el modelo GLTC-CV, que puede montarse entre el compartimento de gas y el densímetro.

Calibración del densímetro con conexión de prueba y válvula de cierre



¡CUIDADO!

Interrupción de la monitorización

Durante la calibración, el densímetro se desconecta de la cámara de gas que se va a supervisar. No puede saltar ninguna alarma en caso de fuga.

- ▶ Después de la calibración, vuelva a retirar el instrumento de recalibración utilizado (por ejemplo, el modelo ACS-10 o BCS-10) de la conexión de calibración.

ES

Par de apriete de la conexión de prueba: 40 Nm \pm 10 %

1. Conectar el gas de prueba y el patrón a la conexión de prueba
 - El densímetro está desconectado de la cámara de gas.
2. Llevar a cabo la calibración.
3. Separar el gas de prueba y el patrón de la conexión de prueba.
 - El densímetro está conectado a la cámara de gas.

8. Desmontaje, devolución y eliminación de residuos

8.1 Desmontaje



¡ADVERTENCIA!

Lesiones corporales, daños materiales y del medio ambiente causados por productos de descomposición peligrosos

En caso de contacto con gases o productos de descomposición peligrosos, existe el peligro de lesiones corporales, así como de daños materiales y al medio ambiente.

- ▶ Llevar equipo de protección necesario (ver capítulo 3.6 "Equipo de protección personal").

Antes de desmontar el dispositivo evacuar la carga de gas.

Desmontar el instrumento solo en estado despresurizado y de desconexión de la red eléctrica.

8.2 Devolución



¡ADVERTENCIA!

Es imprescindible observar lo siguiente para el envío del instrumento:

Todos los instrumentos enviados a WIKA deben estar libres de sustancias peligrosas (productos de descomposición, etc.) y, por lo tanto, deben limpiarse antes de enviarlos.

Utilizar el embalaje original o un embalaje adecuado para la devolución del instrumento.

Para evitar daños:

1. Colocar el instrumento junto con el material aislante en el embalaje. Aislar uniformemente todos los lados del embalaje de transporte.
2. Si es posible, adjuntar una bolsa con secante.



Comentarios sobre el procedimiento de las devoluciones encuentra en el apartado "Servicio" en nuestra página web local.

8.3 Eliminación de residuos

Una eliminación incorrecta puede provocar peligros para el medio ambiente.

Eliminar los componentes de los instrumentos y los materiales de embalaje conforme a los reglamentos relativos al tratamiento de residuos y eliminación vigentes en el país de utilización.

9. Datos técnicos

Datos técnicos	
Diámetro nominal	100
Presión de calibración P_E	Según especificación del cliente
Datos de exactitud	±1 % con una temperatura ambiente de 20 °C [68 °F] ±2,5 % con temperatura ambiente de -20 ... +60 °C [-4 ... +140 °F] y presión de calibración según isocora de referencia (diagrama de referencia KALI-Chemie AG, Hannover, confeccionado por Dr. Döring 1979)
Rango de indicación	Rango de vacío y de sobrepresión con span de medición 1,6 ... 25 bar (con temperatura ambiente de 20 °C [68 °F] y fase gaseosa)
Temperatura ambiente admisible	
Servicio	-20 ... +60 °C [-4 ... +140 °F], fase gaseosa
Almacenamiento	-50 ... +60 °C [-58 ... +140 °F]

9. Datos técnicos

ES

Datos técnicos	
Conexión a proceso	G ½ B según EN 837, abajo Acero inoxidable, plano para llave 22 mm
Elemento sensible	Acero inoxidable, soldado Estanqueidad del gas: tasa de fuga $\leq 1 \cdot 10^{-8}$ mbar · l/s Método de prueba: prueba de helio con espectrometría de masa
Mecanismo	Acero inoxidable Barra de tracción bimetalica (compensación de temperatura)
Esfera	Aluminio Escala de indicación dividida en rojo, amarillo y verde
Aguja	Aluminio, negro
Caja	Acero inoxidable Estanqueidad del gas: tasa de fuga $\leq 1 \cdot 10^{-5}$ mbar · l/s
Mirilla	Cristal de seguridad laminado o vidrio acrílico
Anillo	Aro bayoneta de acero inoxidable, asegurado con 3 puntos de soldadura
Humedad del aire admisible	≤ 90 % h. r. (sin condensación)
Índice de protección	IP65 según IEC60529
Peso	
Con relleno de gas	Aprox. 0,8 kg
Con líquido de relleno	Aprox. 1,2 kg
Prueba de alta tensión 100 %	2 kV, 50 Hz, 1 s
Conexión eléctrica	Caja de conexiones con racor de conexión M20 x 1,5 Sección de hilo máx. 2,5 mm ²
Número de contactos eléctricos	1 ... 3 contactos de acción magnética
Sentidos de conmutación	Presión subiendo o bajando
Funciones de conmutación	contacto normalmente abierto, contacto normalmente cerrado, conmutador
Circuitos eléctricos	Conectados galvánicamente (no para conmutadores) o con separación galvánica
Precisión de conmutación	
Punto de conmutación = presión de calibración P _E	Véase datos de exactitud
Punto de conmutación ≠ presión de calibración P _E	Paralelo a la isocora de referencia de la presión de calibración
Tensión de conmutación máx.	AC 250 V
Potencia de ruptura	Con relleno de gas: 30 W / 50 VA, máx. 1 A Con líquido de relleno: 20 W / 20 VA, máx. 1 A

9. Datos técnicos

Datos técnicos

Material de los contactos eléctricos

80 % Ag / 20 % Ni, dorados

Válvula de calibración

Soldaduras

Todas las soldaduras están certificadas según DIN EN ISO 15613 en conexión con DIN EN ISO 15614-1 y DIN EN ISO 15614-12 por el organismo correspondiente, la Asociación de inspección técnica del sur (TÜV por sus siglas en alemán).

Par de apriete de la conexión de prueba

40 Nm \pm 10 %

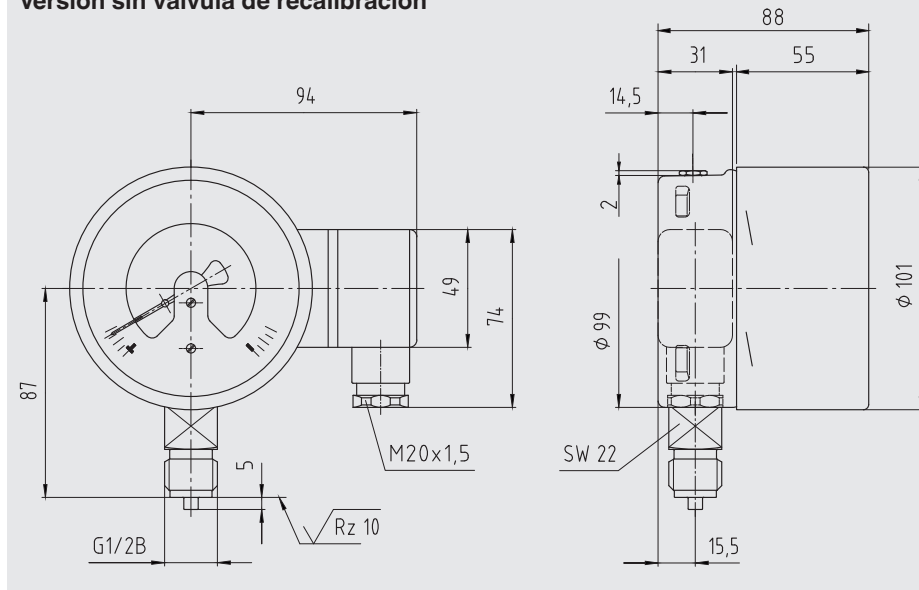
Estanqueidad del gas

Estanqueidad del gas: tasa de fuga $\leq 1 \cdot 10^{-8}$ mbar · l/s

Para más datos técnicos véase la documentación del pedido.

Dimensiones en mm

Versión sin válvula de recalibración



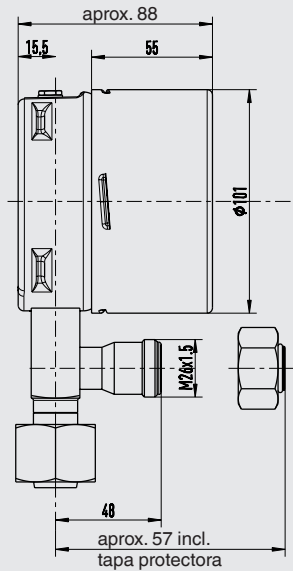
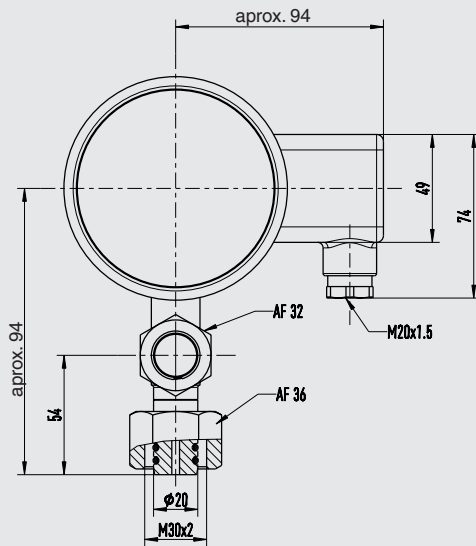
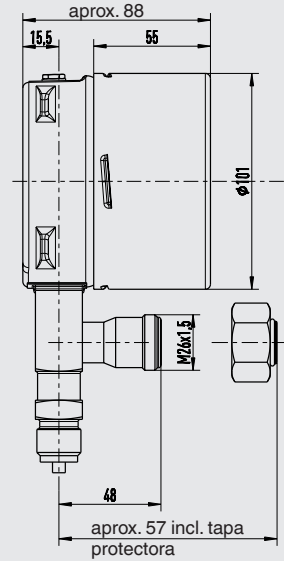
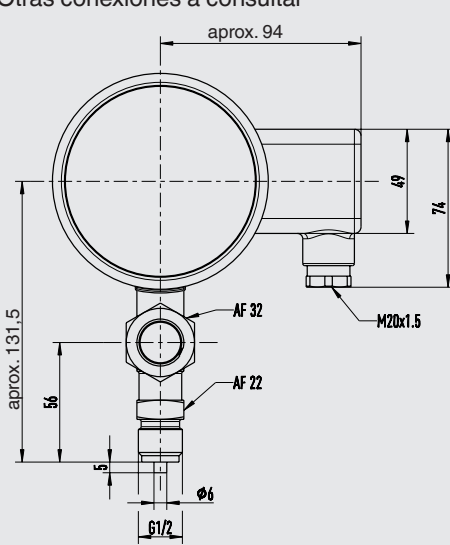
ES

9. Datos técnicos

Versión con válvula de calibración


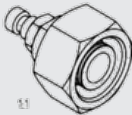
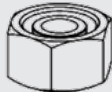

Cualquier disposición de la válvula de prueba posible

Otras conexiones a consultar



10. Accesorios

10. Accesorios

Descripción	Código
 <p>Valvula de recalibración para el reequipamiento de densímetros y otros sistemas de detección de fugas ya instalados en el lugar, modelo GLTC-CV Cualquier disposición de la valvula de prueba posible Otras conexiones a consultar</p>	<p>Véase hoja técnica WIKA SP 61.16</p>
 <p>Adaptador de la conexión de prueba (M26 x 1,5) al acoplamiento rápido</p>	<p>14146937</p>
 <p>Tapa protectora para la conexión de prueba (M26 x 1,5)</p>	<p>14193772</p>
 <p>Sistema de calibración para instrumentos de medición de densidad de gas SF₆</p>	<p>Hoja técnica WIKA SP 60.08</p>

Accesorios WIKA online en www.wika.es.



WIKA subsidiaries worldwide can be found online at www.wika.com.
WIKA-Niederlassungen weltweit finden Sie online unter www.wika.de.
La liste des filiales WIKA dans le monde se trouve sur www.wika.fr.
La lista de las sucursales WIKA en el mundo puede consultarse en www.wika.es.



WIKAL Alexander Wiegand SE & Co. KG
Alexander-Wiegand-Straße 30
63911 Klingenberg • Germany
Tel. +49 9372 132-0
Fax +49 9372 132-406
info@wika.de
www.wika.de