

**PHASE-OUT**

Operating Instructions

**Differential pressure transmitter DPT-10**

GB

Metallic measurement diaphragm  
4 ... 20 mA/HART



Differential pressure transmitter DPT-10



# Contents

<b>1</b>	<b>About this document</b>	<b>4</b>
1.1	Function	4
1.2	Target group	4
1.3	Symbols used	4
<b>2</b>	<b>For your safety</b>	<b>5</b>
2.1	Authorised personnel	5
2.2	Appropriate use	5
2.3	Warning about incorrect use	5
2.4	General safety instructions	5
2.5	Safety label on the instrument	6
2.6	EU conformity	6
2.7	Fulfillment of NAMUR recommendations	6
2.8	Installation and operation in the USA and Canada	6
2.9	Safety instructions for oxygen applications	6
<b>3</b>	<b>Product description</b>	<b>7</b>
3.1	Configuration	7
3.2	Principle of operation	8
3.3	Adjustment	11
3.4	Packaging, transport and storage	11
<b>4</b>	<b>Mounting</b>	<b>13</b>
4.1	General instructions for use of the instrument	13
4.2	Instructions for oxygen applications	14
4.3	Mounting and connection instructions	14
4.4	Measurement setup - Flow	18
4.5	Measurement setup level	21
4.6	Measurement setup density and interface	25
4.7	Measurement setup differential pressure	27
4.8	Mounting external housing	29
4.9	Installation control	30
<b>5</b>	<b>Connecting to power supply</b>	<b>31</b>
5.1	Preparing the connection	31
5.2	Connection procedure	31
5.3	Single chamber housing	33
5.4	Double chamber housing	33
5.5	Double chamber housing Ex dia	35
5.6	Version IP66/IP68, 1 bar	36
5.7	Switch-on phase	37
<b>6</b>	<b>Adjustment with the display and adjustment module</b>	<b>38</b>
6.1	Short description	38
6.2	Insert display and adjustment module	38
6.3	Adjustment system	39
6.4	Set parameters	40
6.5	Menu schematic	55
6.6	Saving the parameterisation data	58
<b>7</b>	<b>Setup with the adjustment program AMS↑</b>	<b>59</b>
7.1	Parameter adjustment with AMS↑	59

<b>8</b>	<b>Setup</b> .....	<b>60</b>
8.1	General instructions .....	60
8.2	Flow measurement.....	60
8.3	Level measurement.....	62
8.4	Density and interface measurement.....	64
8.5	Differential pressure measurement .....	64
<b>9</b>	<b>Maintenance and fault rectification</b> .....	<b>65</b>
9.1	Maintenance .....	65
9.2	Rectify faults.....	65
9.3	Instrument repair .....	66
<b>10</b>	<b>Dismount</b> .....	<b>67</b>
10.1	Dismounting steps.....	67
10.2	Disposal .....	67
<b>11</b>	<b>Supplement</b> .....	<b>68</b>
11.1	Technical data .....	68
11.2	Dimensions, versions process component.....	78
11.3	Trademark .....	83

**Safety instructions for Ex areas**



Take note of the Ex specific safety instructions for Ex applications. These instructions are attached as documents to each instrument with Ex approval and are part of the operating instructions.

Editing status: 2020-01-08

# 1 About this document

## 1.1 Function

This instruction provides all the information you need for mounting, connection and setup as well as important instructions for maintenance, fault rectification, the exchange of parts and the safety of the user. Please read this information before putting the instrument into operation and keep this manual accessible in the immediate vicinity of the device.

## 1.2 Target group

This operating instructions manual is directed to trained personnel. The contents of this manual must be made available to the qualified personnel and implemented.

## 1.3 Symbols used



**Information, note, tip:** This symbol indicates helpful additional information and tips for successful work.



**Note:** This symbol indicates notes to prevent failures, malfunctions, damage to devices or plants.



**Caution:** Non-observance of the information marked with this symbol may result in personal injury.



**Warning:** Non-observance of the information marked with this symbol may result in serious or fatal personal injury.



**Danger:** Non-observance of the information marked with this symbol results in serious or fatal personal injury.



### Ex applications

This symbol indicates special instructions for Ex applications.



### List

The dot set in front indicates a list with no implied sequence.



### Sequence of actions

Numbers set in front indicate successive steps in a procedure.



### Battery disposal

This symbol indicates special information about the disposal of batteries and accumulators.

## 2 For your safety

### 2.1 Authorised personnel

Mount and set up the pressure transmitter only if you know the applicable national regulations and have the appropriate qualification. You must be acquainted with the regulations and instructions for hazardous areas, measurement and control technology as well as electrical circuits because the pressure transmitter is "electrical equipment" according to EN 50178. Depending on the application conditions, it is necessary that you have appropriate knowledge, e.g. concerning corrosive products or high pressure.

### 2.2 Appropriate use

DPT-10 is a differential pressure transmitter for measurement of flow, level, differential pressure, density and interface.

You can find detailed information about the area of application in chapter "*Product description*".

Operational reliability is ensured only if the instrument is properly used according to the specifications in the operating instructions manual as well as possible supplementary instructions.

For safety and warranty reasons, any invasive work on the device beyond that described in the operating instructions manual may be carried out only by personnel authorised by the manufacturer. Arbitrary conversions or modifications are explicitly forbidden.

### 2.3 Warning about incorrect use

Inappropriate or incorrect use of this product can give rise to application-specific hazards, e.g. vessel overfill through incorrect mounting or adjustment. Damage to property and persons or environmental contamination can result. Also, the protective characteristics of the instrument can be impaired.

### 2.4 General safety instructions

This is a state-of-the-art instrument complying with all prevailing regulations and directives. The instrument must only be operated in a technically flawless and reliable condition. The operator is responsible for the trouble-free operation of the instrument. When measuring aggressive or corrosive media that can cause a dangerous situation if the instrument malfunctions, the operator has to implement suitable measures to make sure the instrument is functioning properly.

During the entire duration of use, the user is obliged to determine the compliance of the necessary occupational safety measures with the current valid rules and regulations and also take note of new regulations.

The safety instructions in this operating instructions manual, the national installation standards as well as the valid safety regulations and accident prevention rules must be observed by the user.

For safety and warranty reasons, any invasive work on the device beyond that described in the operating instructions manual may be carried out only by personnel authorised by the manufacturer. Arbitrary conversions or modifications are explicitly forbidden. For safety reasons, only the accessory specified by the manufacturer must be used.

To avoid any danger, the safety approval markings and safety tips on the device must also be observed and their meaning read in this operating instructions manual.

### **2.5 Safety label on the instrument**

The safety approval markings and safety tips on the device must be observed.

### **2.6 EU conformity**

The device fulfils the legal requirements of the applicable EU directives. By affixing the CE marking, we confirm the conformity of the instrument with these directives.

The EU conformity declaration can be found on our homepage.

### **2.7 Fulfilment of NAMUR recommendations**

The device fulfills the requirements of the applicable NAMUR recommendations.

### **2.8 Installation and operation in the USA and Canada**

This information is only valid for USA and Canada. Hence the following text is only available in the English language.

Installations in the US shall comply with the relevant requirements of the National Electrical Code (ANSI/NFPA 70).

Installations in Canada shall comply with the relevant requirements of the Canadian Electrical Code.

### **2.9 Safety instructions for oxygen applications**

For instruments in oxygen applications the special instructions in chapters "*Storage and transport*", "*Mounting*" as well as "*Technical data*" under "*Process conditions*" must be noted. Furthermore the valid national regulations, implementation instructions and memorandums of the professional associations must be noted.

## 3 Product description

### 3.1 Configuration

#### Scope of delivery

The scope of delivery encompasses:

- DPT-10 differential pressure transmitter
- Depending on the version, ventilation valves and/or screw plugs (details see chapter "Dimensions")
- Optional accessory
- Documentation
  - This operating instructions manual
  - Test certificate for pressure transmitters
  - Operating instructions "Display and adjustment module" (optional)
  - Ex-specific "Safety instructions" (with Ex versions)
  - If necessary, further certificates

#### Constituent parts

The following illustration shows the components of DPT-10:

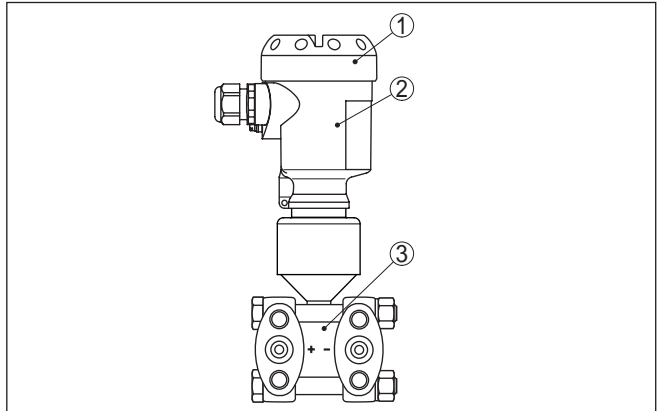


Fig. 1: DPT-10 in basic version

- 1 Housing cover, optionally with integrated display and adjustment module
- 2 Housing with electronics
- 3 Process component with measuring cell

The components are available in different versions.

The type label contains the most important data for identification and use of the instrument:

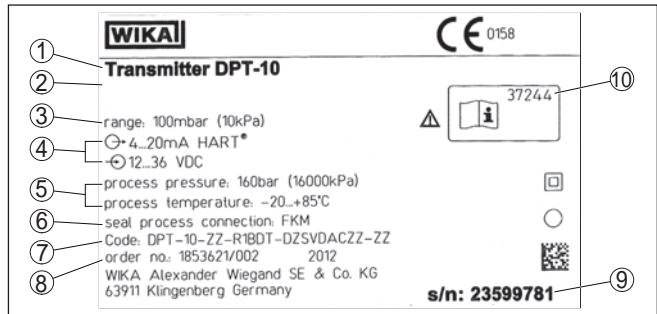


Fig. 2: Layout of the type label (example)

- 1 Instrument type
- 2 Place for approvals
- 3 Measuring range
- 4 Signal output/Operating voltage
- 5 Process pressure - Process temperature
- 6 Seal material
- 7 Product code
- 8 Order number
- 9 Serial number of the instrument
- 10 ID numbers, instrument documentation

### 3.2 Principle of operation

#### Application area

DPT-10 is a differential pressure transmitter for measurement of flow, level, differential pressure, density and interface. Measured products are gases, vapours and liquids.

#### Flow measurement

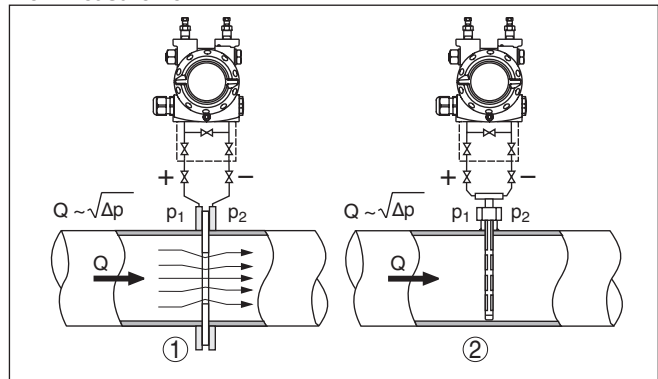


Fig. 3: Flow measurement with DPT-10 and DP flow element,  $Q$  = flow,  $\Delta p$  = differential pressure,  $\Delta p = p_1 - p_2$

- 1 Orifice
- 2 Pitot tube



### Level measurement

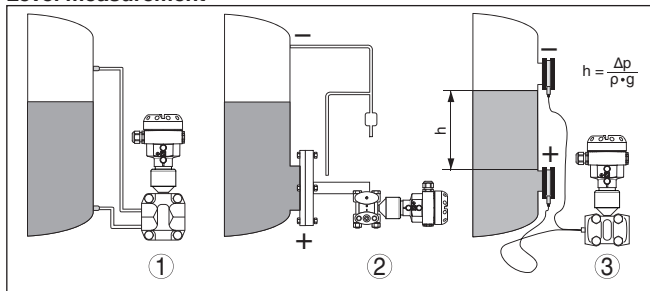


Fig. 4: Level measurement with DPT-10.  $\Delta p$  = differential pressure,  $\rho$  = density of the medium,  $g$  = acceleration of gravity

- 1 Basic version with effective pressure lines
- 2 Version with flange chemical seal
- 3 Version with capillaries and cell chemical seals

### Differential pressure measurement

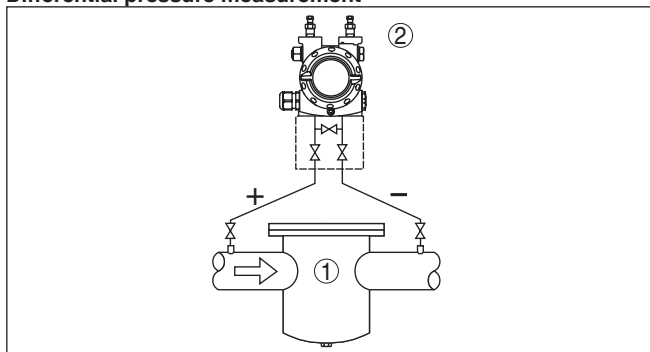


Fig. 5: Differential pressure measurement with DPT-10

- 1 Filter
- 2 DPT-10

### Density measurement

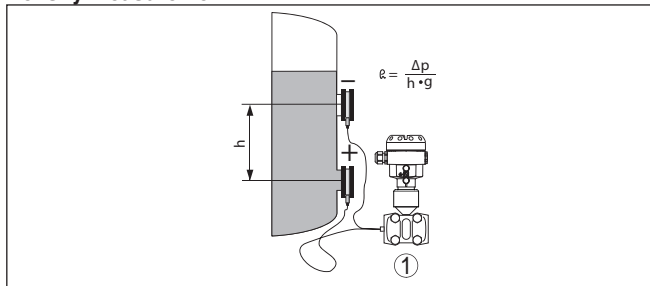


Fig. 6: Density measurement with DPT-10,  $h$  = defined mounting distance,  $\Delta p$  = differential pressure,  $\rho$  = density of the medium,  $g$  = acceleration of gravity

- 1 DPT-10

## Interface measurement

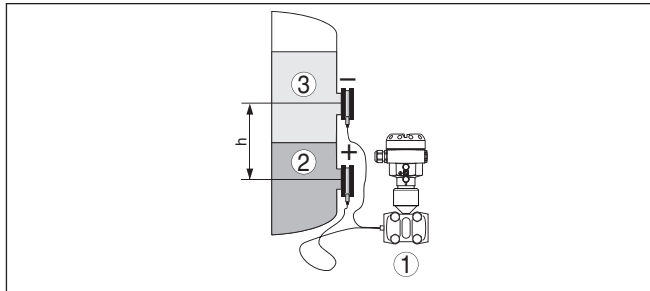


Fig. 7: Interface measurement with DPT-10

- 1 DPT-10
- 2 Liquid with higher density
- 3 Liquid with lower density

## Functional principle

A metallic measuring cell is used as sensor element. The process pressures are transmitted via the separating diaphragms and filling oils to a piezoresistive measuring element (resistance measuring bridge in semi-conductor technology).

The difference between the acting pressures changes the bridge voltage. This change is measured, further processed and converted into a corresponding output signal.

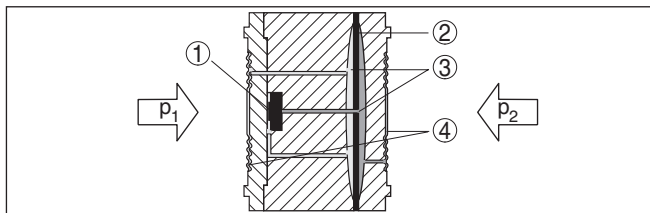


Fig. 8: Configuration metallic measuring cell

- 1 Measuring element
  - 2 Overload diaphragm/Middle diaphragm
  - 3 Filling oil
  - 4 Separating diaphragms
- $p_1, p_2$  Process pressures

The markings "+" and "-" on the process component in chapter "Mounting and connection instructions" must therefore be noted when connecting to the process. The pressure acting on "+" goes positive, the pressure acting on "-" goes negative into the calculation of the pressure difference.

## Voltage supply

4 ... 20 mA/HART two-wire electronics for voltage supply and measured value transmission on the same cable.

The supply voltage range can differ depending on the instrument version.

The data for power supply are specified in chapter "Technical data".

The optional backlight of the display and adjustment module is powered by the sensor. The prerequisite for this is a supply voltage at a certain level. The exact voltage specifications are stated in chapter "Technical data".

### 3.3 Adjustment

The instrument can be adjusted with the following adjustment media:

- With the display and adjustment module
- The suitable WIKA DTM in conjunction with an adjustment software according to the FDT/DTM standard, e.g. PACTware and PC
- With manufacturer-specific adjustment programs AMS↑ or PDM
- With a HART handheld

The entered parameters are generally saved in DPT-10, optionally also in the display and adjustment module or in PACTware.

### 3.4 Packaging, transport and storage

#### Packaging

Your instrument was protected by packaging during transport. Its capacity to handle normal loads during transport is assured by a test based on ISO 4180.

The packaging of standard instruments consists of environment-friendly, recyclable cardboard. For special versions, PE foam or PE foil is also used. Dispose of the packaging material via specialised recycling companies.



#### Caution:

Instruments for oxygen applications are sealed in PE foil and provided with a label "Oxygen! Use no Oil". Remove this foil just before mounting the instrument! See instruction under "Mounting".

#### Transport

Transport must be carried out in due consideration of the notes on the transport packaging. Nonobservance of these instructions can cause damage to the device.

#### Transport inspection

The delivery must be checked for completeness and possible transit damage immediately at receipt. Ascertained transit damage or concealed defects must be appropriately dealt with.

#### Storage

Up to the time of installation, the packages must be left closed and stored according to the orientation and storage markings on the outside.

Unless otherwise indicated, the packages must be stored only under the following conditions:

- Not in the open
- Dry and dust free
- Not exposed to corrosive media
- Protected against solar radiation
- Avoiding mechanical shock and vibration

#### Storage and transport temperature

- Storage and transport temperature see chapter "Supplement - Technical data - Ambient conditions"

- Relative humidity 20 ... 85 %

#### **Lifting and carrying**

With instrument weights of more than 18 kg (39.68 lbs) suitable and approved equipment must be used for lifting and carrying.

## 4 Mounting

### 4.1 General instructions for use of the instrument

#### Suitability for the process conditions

Make sure that all parts of the instrument coming in direct contact with the process, especially the sensor element, process seal and process fitting, are suitable for the existing process conditions, such as process pressure, process temperature as well as the chemical properties of the medium.

You can find the specifications or references in chapters "Technical data", "Dimensions, versions process component" and on the nameplate.

#### Suitability for the ambient conditions

The instrument is suitable for standard and extended ambient conditions acc. to DIN/EN/IEC/ANSI/ISA/UL/CSA 61010-1.

#### Moisture

Use the recommended cables (see chapter "Connecting to power supply") and tighten the cable gland.

You can give your instrument additional protection against moisture penetration by leading the connection cable downward in front of the cable gland. Rain and condensation water can thus drain off. This applies mainly to outdoor mounting as well as installation in areas where high humidity is expected (e.g. through cleaning processes) or on cooled or heated vessels.

To maintain the housing protection, make sure that the housing lid is closed during operation and locked, if necessary.

Make sure that the degree of contamination specified in chapter "Technical data" meets the existing ambient conditions.

#### Ventilation

The ventilation for the electronics housing is realised via a filter element in the vicinity of the cable glands.

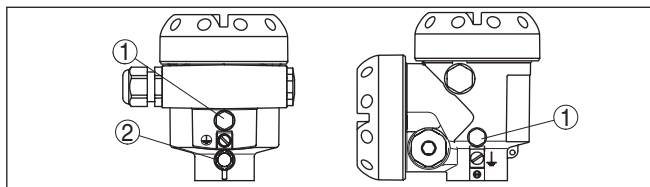


Fig. 9: Position of the filter element with single and double chamber housing

- 1 Filter element for ventilation of the electronics housing
- 2 Blind plug



#### Information:

Make sure that the filter element is always free of buildup during operation. A high-pressure cleaner may not be used for cleaning.

#### DP flow element

DP flow elements are calculated for certain pipeline and operating data. Therefore, check the pipeline data before installation at the measuring point and compare the measurement loop number.

Detailed instructions for mounting the DP flow element are stated in DIN EN ISO 5167 as well as in the instrument documentation from the respective manufacturer.

#### Effective pressure lines

When wiring the effective pressure lines outdoors, make sure that you use a suitable antifreeze, e.g. by using a heat tracing. Wire the effective pressure lines with a monotonous gradient of at least 10 %. Effective pressure lines for gases must remain dry, condensate must be avoided. Effective pressure lines for liquids must be completely filled and ventilated.

General recommendations for wiring of effective pressure lines are stated in the corresponding national and international standards.

#### Vibrations

In case of strong vibrations at the application position, the instrument version with external electronics should be used.

#### Temperature limits

Higher process temperatures often mean also higher ambient temperatures for electronics and connection cable. Make sure that the upper temperature limits stated in chapter "*Technical data*" for the environment of the electronics housing and connection cable are not exceeded.

#### Oxygen applications

### 4.2 Instructions for oxygen applications

Oxygen and other gases can be explosive when brought into contact with oils, grease and plastics, so the following measures must also be taken:

- All components of the plant, such as e.g. measuring instruments must be cleaned according to the requirements of BAM (DIN 19247)
- Depending on the seal material, certain temperatures and pressures must not be exceeded in oxygen applications, see chapter "*Technical data*"



#### **Danger:**

Instruments for oxygen applications must be unpacked just before mounting. After removing the protective cover of the process fitting, the label "O<sub>2</sub>" will be visible on the process fitting. Penetration of oil, grease and dirt should be avoided. Danger of explosion!

#### Connection plus/minus side

### 4.3 Mounting and connection instructions

When connecting the DPT-10 to the measurement loop, take note of the plus/minus side of the process component. The plus side is marked with a "+", the minus side with a "-" on the process component next to the oval flanges.

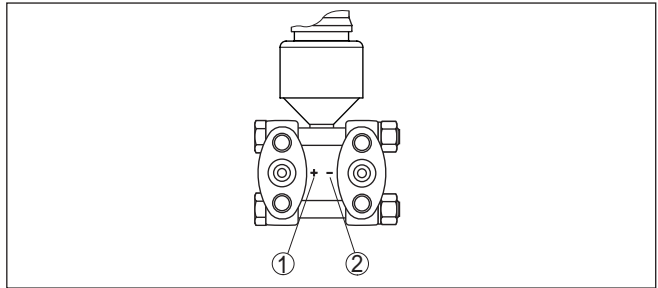


Fig. 10: Marking for plus/minus side on the process component

- 1 Plus side
- 2 Minus side

### Mounting arrangement

The following illustration shows the elements for a tube mounting and an example for a mounting arrangement with valve block.

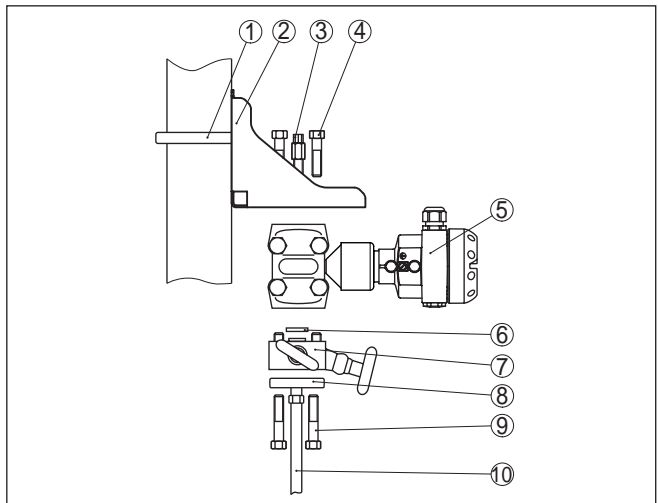


Fig. 11: Mounting arrangement with tube mounting

- 1 Strap for tube mounting
- 2 Mounting bracket
- 3 Ventilation valve
- 4 Fixing screws
- 5 DPT-10
- 6 PTFE seal
- 7 Valve block
- 8 Oval flange adapter
- 9 Fixing screws
- 10 Effective pressure line

### Valve blocks

Valve blocks enable the simple installation and setup of the differential pressure transmitter. They separate the pressure transmitter from the process side and enable also a check of the measurement loop. They

are available as 3-fold and 5-fold version. The integrated equalization valve enables a pressure compensation between plus and minus side during the setup. Thanks to the valve block it is possible to dismount the DPT-10 without interrupting the process. This means higher plant availability and simpler setup or maintenance.

The 3-fold valve block with flanging on both sides enables a mechanically stable connection between the DPT-10 and e.g. the tapping points or the flange plate of a pitot tube. With the five-fold valve block, two additional valves allow blowing out the process lines or checking the DPT-10 in installed condition.

### 3-fold valve block

The following illustration shows the connection of the 3-fold valve block.

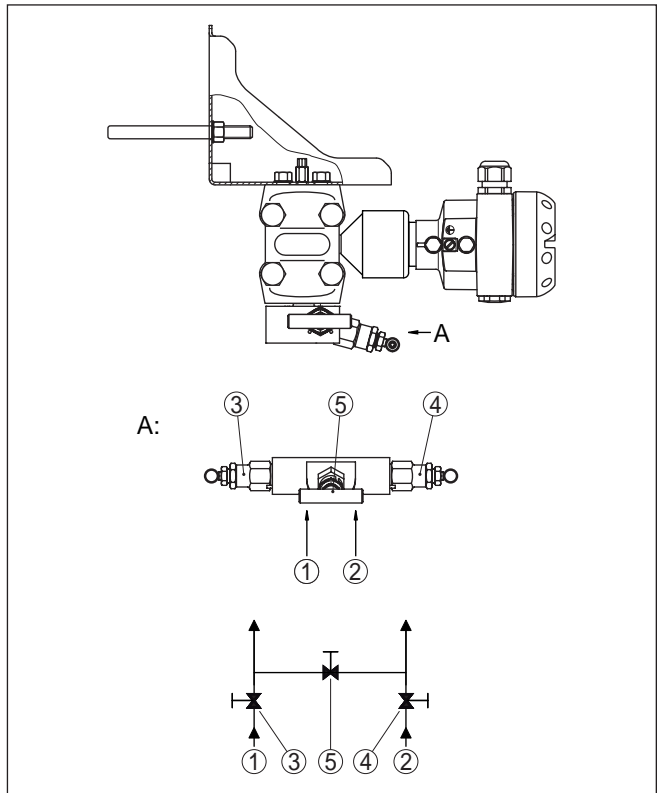


Fig. 12: Connection of a 3-fold valve block

- 1 Process fitting
- 2 Process fitting
- 3 Inlet valve
- 4 Inlet valve
- 5 Breather valve



**3-fold valve block, flanging on both sides**

The following illustration shows the connection of the 3-fold valve block, flanging on both sides.

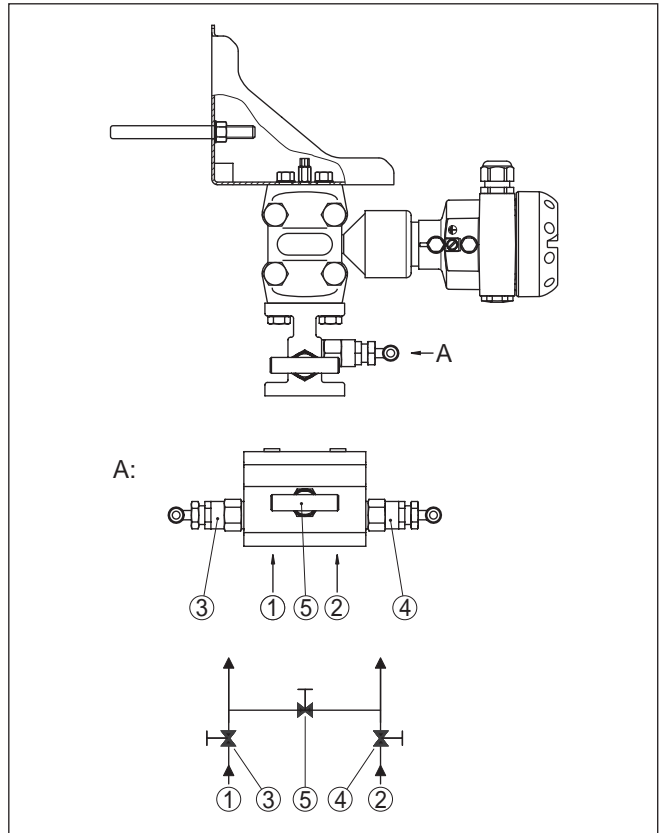


Fig. 13: Connection of a 3-fold valve block, flanging on both sides

- 1 Process fitting
- 2 Process fitting
- 3 Inlet valve
- 4 Inlet valve
- 5 Breather valve

**5-fold valve block**

The following illustration shows the connection of the 5-fold valve block.

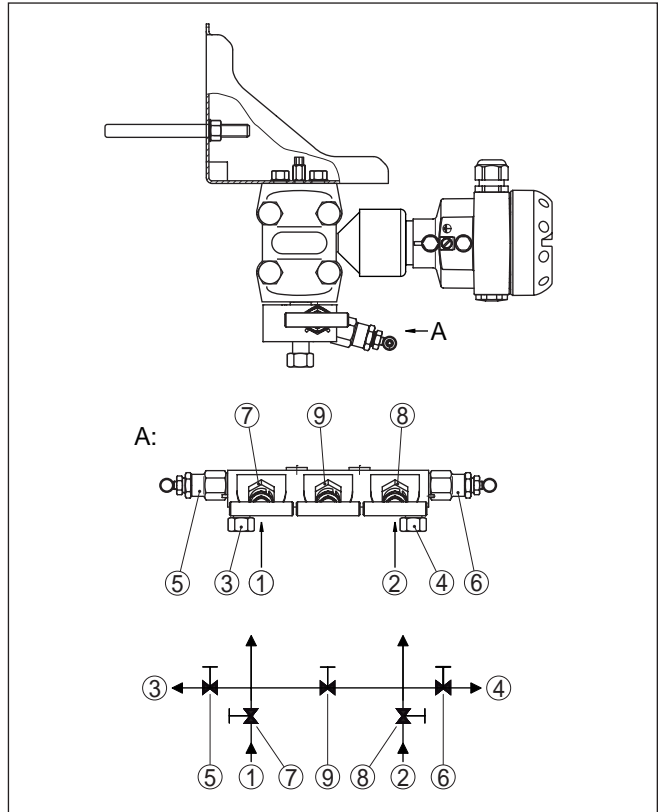


Fig. 14: Connection of a 5-fold valve block

- 1 Process fitting
- 2 Process fitting
- 3 Check/Ventilate
- 4 Check/Ventilate
- 5 Valve for checking/ventilating
- 6 Valve for checking/ventilating
- 7 Inlet valve
- 8 Inlet valve
- 9 Breather valve

#### 4.4 Measurement setup - Flow

In gases

→ Mount DPT-10 above the measurement loop so that condensate can drain off in the process cable.

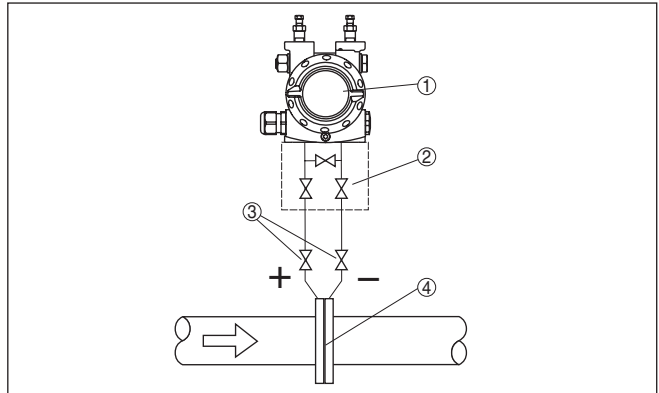


Fig. 15: Measurement setup with flow measurement of gases, connection via 3-fold valve block

- 1 DPT-10
- 2 3-fold valve block
- 3 Blocking valves
- 4 Orifice or impact pressure probe

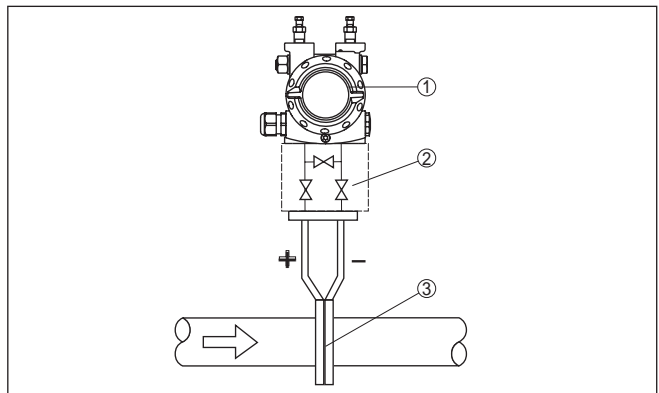


Fig. 16: Measurement setup with flow measurement of gases, connection via 3-fold valve block, flanging on both sides

- 1 DPT-10
- 2 3-fold valve block, flanging on both sides
- 3 Orifice or impact pressure probe

### In vapours

- Mount DPT-10 below the measurement loop
- Mount condensate vessels at the same height with the discharge socket and at the same distance to DPT-10
- Fill the effective pressure lines to the height of the condensate vessels before setup

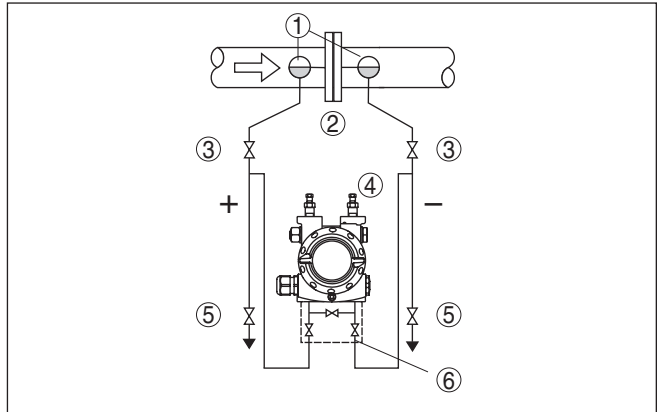


Fig. 17: Measurement setup, flow measurement in vapours

- 1 Condensate vessels
- 2 Orifice or impact pressure probe
- 3 Blocking valves
- 4 DPT-10
- 5 Drain or blow-off valves
- 6 3-fold valve block

When using a 5-fold valve block, the drain or blow-off valves are already integrated.

### In liquids

- Mount DPT-10 below the measurement loop so that the effective pressure lines are always filled with liquid and gas bubbles can bubble up to the process line
- For measurements in products with solid content such as e.g. dirty liquids, the installation of separators and drain valves is recommended to enable collection and removal of debris and sediment.
- Fill the effective pressure lines to the height of the condensate vessels before setup

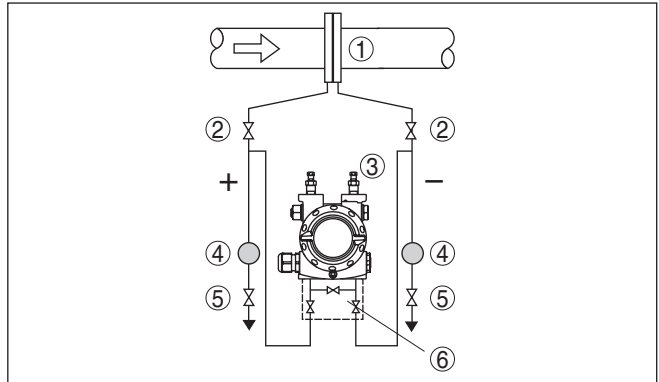


Fig. 18: Measurement setup, flow measurement in liquids

- 1 Orifice or impact pressure probe
- 2 Blocking valves
- 3 DPT-10
- 4 Precipitator
- 5 Drain valves
- 6 3-fold valve block

#### 4.5 Measurement setup level

##### In open vessels with effective pressure line

- Mount DPT-10 below the lower measurement connection so that the effective pressure lines are always filled with liquid
- Minus side is open to the atmospheric pressure
- When measuring liquids with solid content, the mounting of separators and drain valves is useful to be able to avoid and remove buildup.

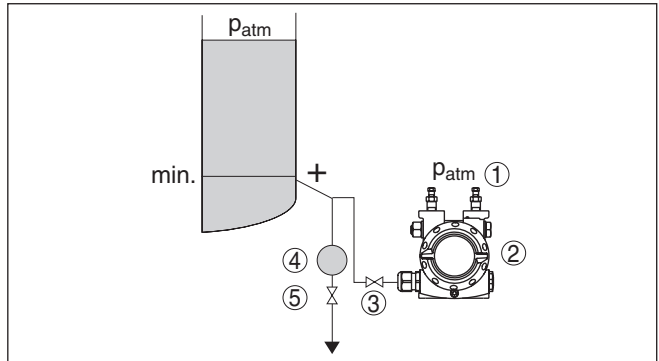


Fig. 19: Measurement setup, level measurement in the open vessel

- 1 DPT-10
- 2 Minus side is open to the atmospheric pressure
- 3 Blocking valve
- 4 Precipitator
- 5 Drain valve

**In open vessels with single chemical seal**

- Mount DPT-10 directly to the vessel
- Minus side is open to the atmospheric pressure

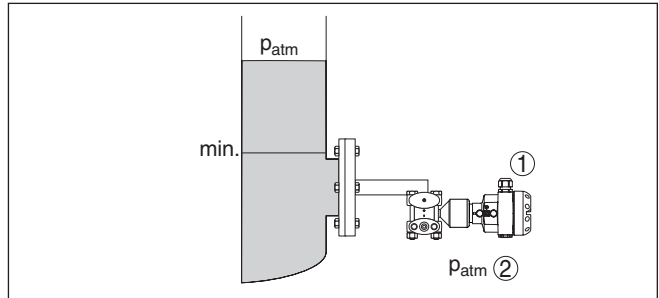


Fig. 20: Measurement setup, level measurement in the open vessel

- 1 DPT-10
- 2 Minus side is open to the atmospheric pressure

**In closed vessels with effective pressure lines**

- Mount DPT-10 below the lower measurement connection so that the effective pressure lines are always filled with liquid
- Connect minus side always above the max. level
- For measurements in products with solid content such as e.g. dirty liquids, the installation of separators and drain valves is recommended to enable collection and removal of debris and sediment.

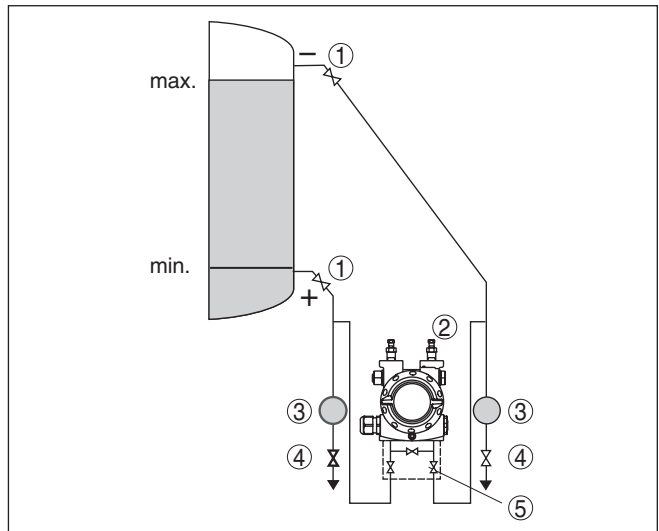


Fig. 21: Measurement setup, level measurement in closed vessel

- 1 Blocking valves
- 2 DPT-10
- 3 Precipitator
- 4 Drain valves
- 5 3-fold valve block

**In closed vessels with single chemical seal**

- Mount DPT-10 directly to the vessel
- Connect minus side always above the max. level
- For measurements in products with solid content such as e.g. dirty liquids, the installation of separators and drain valves is recommended to enable collection and removal of debris and sediment.

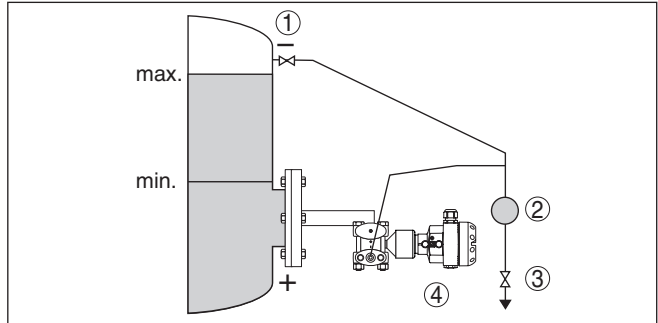


Fig. 22: Measurement setup, level measurement in closed vessel

- 1 Blocking valve
- 2 Precipitator
- 3 Drain valve
- 4 DPT-10

**In closed vessels with double chemical seal**

- Mount DPT-10 below the lower chemical seal
- The ambient temperature should be the same for both capillaries



**Information:**

Level measurement is only ensured between the upper edge of the lower and the lower edge of the upper chemical seal.

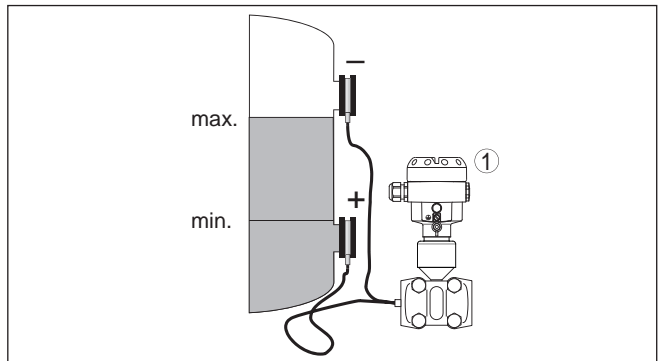


Fig. 23: Measurement setup, level measurement in closed vessel

- 1 DPT-10

**In closed vessels with steam layering with effective pressure line**

- Mount DPT-10 below the lower measurement connection so that the effective pressure lines are always filled with liquid
- Connect minus side always above the max. level

- The condensate vessel ensures a constant pressure on the minus side
- For measurements in products with solid content such as e.g. dirty liquids, the installation of separators and drain valves is recommended to enable collection and removal of debris and sediment.

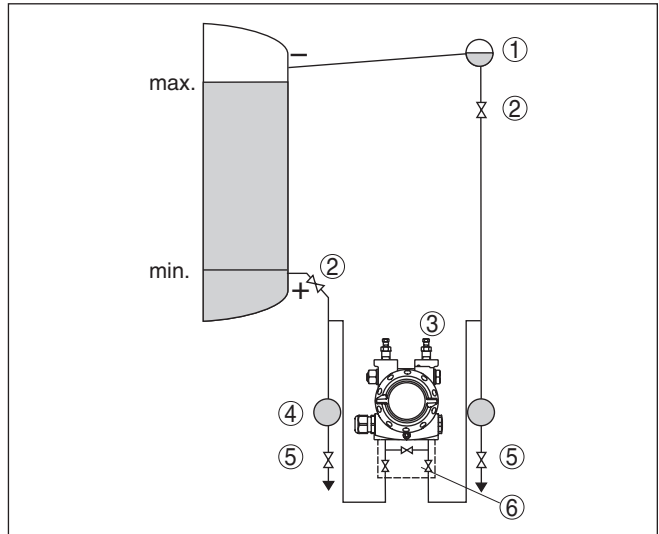


Fig. 24: Measurement setup in closed vessel with superimposed steam

- 1 Condensate vessel
- 2 Blocking valves
- 3 DPT-10
- 4 Precipitator
- 5 Drain valves
- 6 3-fold valve block

**In closed vessels with superimposed steam with single chemical seal**

- Mount DPT-10 directly to the vessel
- Connect minus side always above the max. level
- The condensate vessel ensures a constant pressure on the minus side
- For measurements in products with solid content such as e.g. dirty liquids, the installation of separators and drain valves is recommended to enable collection and removal of debris and sediment.



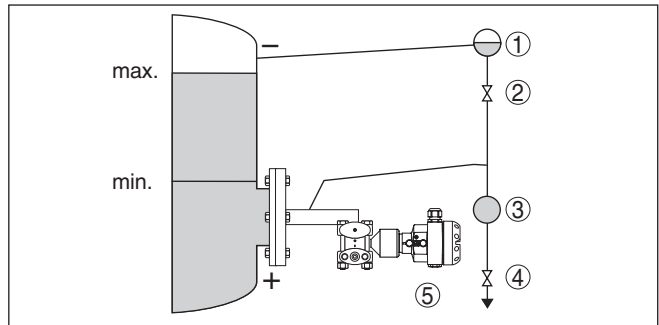


Fig. 25: Measurement setup in closed vessel with superimposed steam

- 1 Condensate vessel
- 2 Blocking valve
- 3 Precipitator
- 4 Drain valve
- 5 DPT-10

## 4.6 Measurement setup density and interface

### Density measurement

In a vessel with varying level and homogeneous density distribution, density measurement with a differential pressure transmitter can be realized. The connection to the vessel is made via a chemical seal on two measuring points. To reach a high accuracy, the distance between these points must be as big as possible. The density measurement is only ensured with a level above the upper measuring point. If the level drops below the upper measuring point, the density measurement is interrupted.

This density measurement functions with open but also with closed vessels. Make sure that small density changes cause only small changes to the measured differential pressure. Select a suitable measuring range.

The density measurement is carried out in the mode level measurement.

- Mount DPT-10 below the lower chemical seal
- The ambient temperature should be the same for both capillaries

#### Example for a density measurement:

Distance between the two measurement points: 0.3 m

Min. density: 1000 kg/m<sup>3</sup>

Max. density: 1200 kg/m<sup>3</sup>

Measured differential pressure:  $\Delta p = \rho \cdot g \cdot h$

The min. adjustment is carried out for the differential pressure measured at density 1.0:

$$\Delta p = \rho \cdot g \cdot h$$

$$= 1000 \text{ kg/m}^3 \cdot 9.81 \text{ m/s}^2 \cdot 0,3 \text{ m}$$

$$= 2943 \text{ Pa} = 29.43 \text{ mbar}$$

The max. adjustment is carried out for the differential pressure measured at density 1.2:

$$\begin{aligned}\Delta p &= \rho \cdot g \cdot h \\ &= 1200 \text{ kg/m}^3 \cdot 9.81 \text{ m/s}^2 \cdot 0.3 \text{ m} \\ &= 3531 \text{ Pa} = 35.31 \text{ mbar}\end{aligned}$$

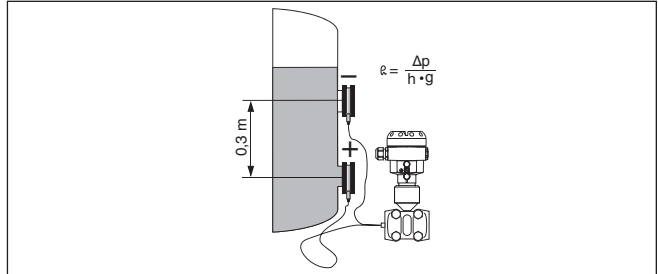


Fig. 26: Measurement setup for density measurement

### Interface measurement

In a vessel with varying level, an interface measurement with a differential pressure transmitter can be realized. The connection on the vessel is carried out via a chemical seal on two measuring points. An interface measurement is only possible if the densities of the two products remain the same and the interface is always between the two measuring points. The total level must always be above the upper measuring point.

This density measurement functions with open but also with closed vessel.

#### Example for an interface measurement:

Distance between the two measurement points: 0.3 m

Min. density: 800 kg/m<sup>3</sup>

Max. density: 1000 kg/m<sup>3</sup>

The min. adjustment is carried out for the differential pressure occurring with density 0.8:

$$\begin{aligned}\Delta p &= \rho \cdot g \cdot h \\ &= 800 \text{ kg/m}^3 \cdot 9.81 \text{ m/s}^2 \cdot 0.3 \text{ m} \\ &= 2354 \text{ Pa} = 23.54 \text{ mbar}\end{aligned}$$

The max. adjustment is carried out for the differential pressure occurring with density 1.0:

$$\begin{aligned}\Delta p &= \rho \cdot g \cdot h \\ &= 1000 \text{ kg/m}^3 \cdot 9.81 \text{ m/s}^2 \cdot 0.3 \text{ m} \\ &= 2943 \text{ Pa} = 29.43 \text{ mbar}\end{aligned}$$

- . Mount DPT-10 below the lower chemical seal
- . The ambient temperature should be the same for both capillaries

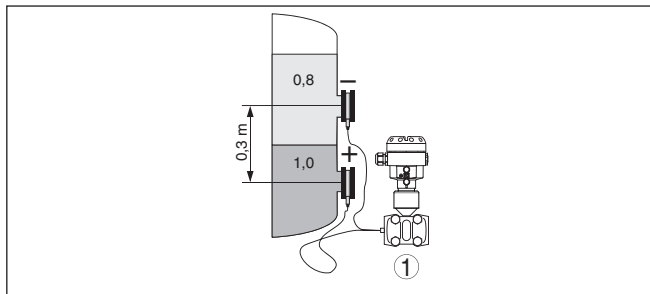


Fig. 27: Measurement setup with interface measurement

### 4.7 Measurement setup differential pressure

#### In gases and vapours

→ Mount DPT-10 above the measurement loop so that condensate can drain off in the process cable.

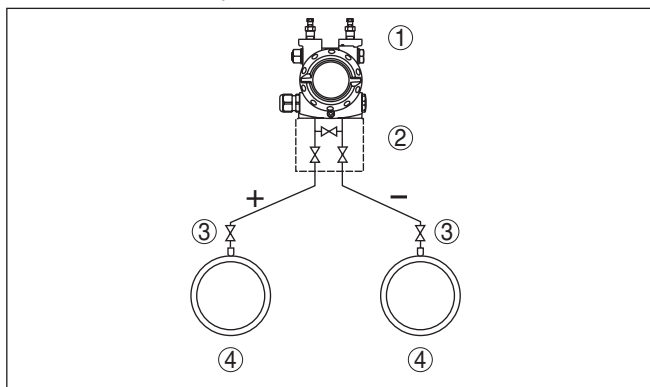


Fig. 28: Measurement setup with differential pressure measurement between two pipelines in gases and vapours

- 1 DPT-10
- 2 3-fold valve block
- 3 Blocking valves
- 4 Pipelines

#### In vapour and condensate plants

→ Mount DPT-10 below the measurement loop so that some condensate can collect in the effective pressure lines.

The ventilation is carried out via the ventilation valves on the instrument, the 5-fold valve block enables blowing out the cables.

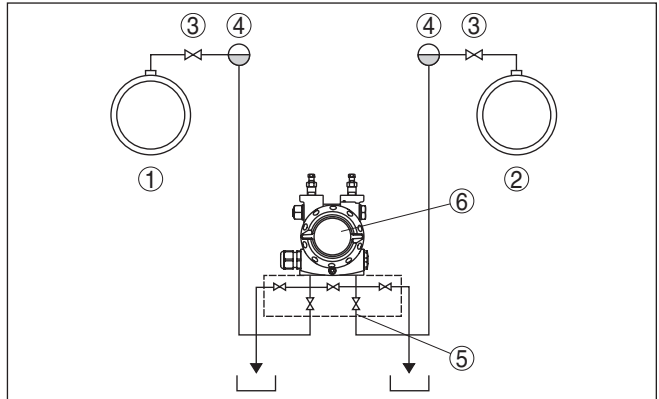


Fig. 29: Measurement setup with differential pressure measurement between a vapour and a condensate cable

- 1 Vapour cable
- 2 Condensate cable
- 3 Blocking valves
- 4 Condensate vessels
- 5 5-fold valve block
- 6 DPT-10

**In liquids**

- Mount DPT-10 below the measurement loop so that the effective pressure lines are always filled with liquid and gas bubbles can bubble up to the process line
- For measurements in products with solid content such as e.g. dirty liquids, the installation of separators and drain valves is recommended to enable collection and removal of debris and sediment.

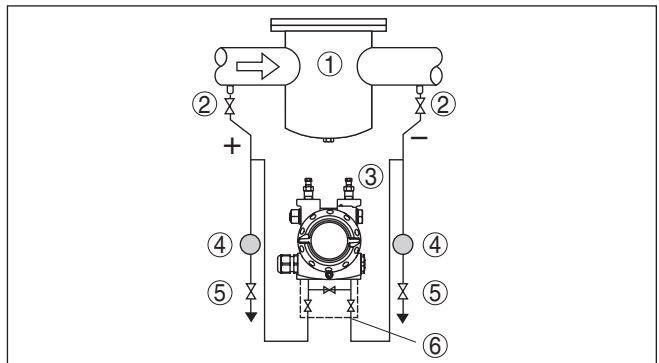


Fig. 30: Measurement setup, flow measurement in liquids

- 1 E.g. filter
- 2 Blocking valves
- 3 DPT-10
- 4 Precipitator
- 5 Drain valves
- 6 3-fold valve block

**When chemical seal systems are used in all products**

- Mount chemical seal with capillaries on top or laterally on the pipeline
- In vacuum applications: Mount DPT-10 below the measurement loop
- The ambient temperature should be the same for both capillaries

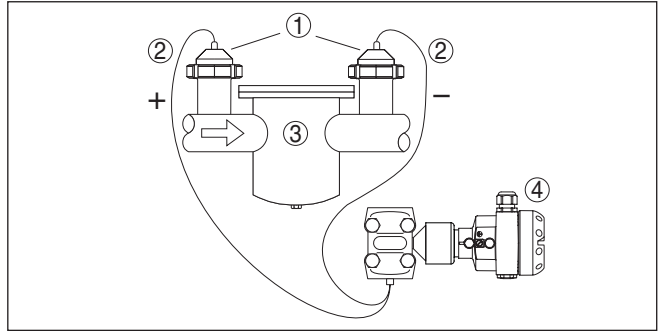


Fig. 31: Measurement setup, differential pressure measurement in gases, vapours and liquids

- 1 Chemical seal with slotted nut
- 2 Capillaries
- 3 E.g. filter
- 4 DPT-10

**4.8 Mounting external housing**

1. Mark the holes according to the following drilling template
2. Depending on the mounting surface, fasten the wall mounting plate with 4 screws

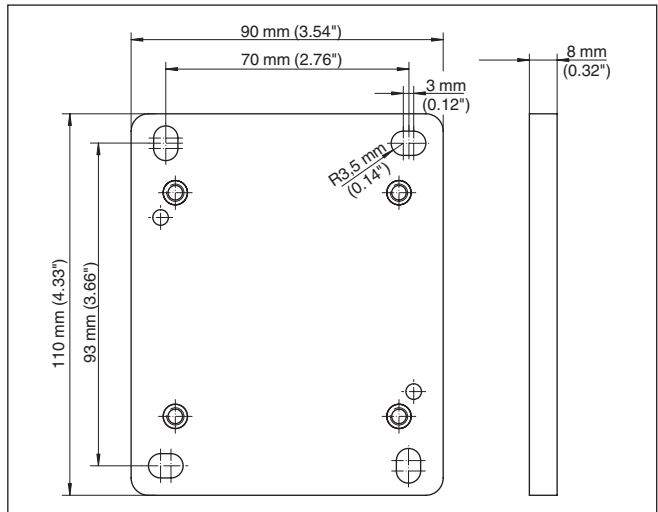


Fig. 32: Drilling template - wall mounting plate

Mount the wall mounting plate so that the cable entry of the socket housing points downward. The socket housing can be displaced by 180° to the wall mounting plate.

### 4.9 Installation control

Check the following after mounting the instrument:

- Did you tighten all screws?
- Closing screws and ventilation valves closed

## 5 Connecting to power supply

### 5.1 Preparing the connection

#### Safety instructions

Always keep in mind the following safety instructions:



#### Warning:

Connect only in the complete absence of line voltage.

- The electrical connection must only be carried out by trained, qualified personnel authorised by the plant operator.
- If overvoltage surges are expected, overvoltage arresters should be installed.

#### Voltage supply

Power supply and current signal are carried on the same two-wire cable. The voltage supply range can differ depending on the instrument version.

The data for power supply are specified in chapter "*Technical data*".

Provide a reliable separation between the supply circuit and the mains circuits according to DIN EN 61140 VDE 0140-1.

Keep in mind the following additional factors that influence the operating voltage:

- Output voltage of the power supply unit can be lower under nominal load (with a sensor current of 20.5 mA resp. 22 mA in case of fault message)
- Influence of additional instruments in the circuit (see load values in chapter "*Technical data*")

#### Connection cable

The instrument is connected with standard two-wire cable without screening. If electromagnetic interference is expected which is above the test values of EN 61326 for industrial areas, screened cable should be used.

Make sure that the cable used has the required temperature resistance and fire safety for max. occurring ambient temperature

Use cable with round cross section. A suitable outer cable diameter of (see chapter "*Technical data*") ensures the seal effect of the cable gland.

#### Cable screening and grounding

If screened cable is required, connect the cable screen on both ends to ground potential.

In electroplating plants as well as plants for cathodic corrosion protection it must be taken into account that significant potential differences exist. This can lead to unacceptably high currents in the cable screen if it is grounded at both ends.



#### Information:

The metallic parts of the instrument (process fitting, housing, etc.) are conductively connected to the ground terminal.

### 5.2 Connection procedure

#### Single/Double chamber housing

Proceed as follows:

1. Unscrew the housing lid
2. If a display and adjustment module is installed, remove it by turning it to the left
3. Loosen compression nut of the cable gland and remove blind plug
4. Remove approx. 10 cm of the cable mantle, strip approx. 1 cm insulation from the individual wires
5. Insert the cable into the sensor through the cable entry
6. Lift the opening levers of the terminals with a screwdriver (see following illustration)
7. Insert the wire ends into the open terminals according to the wiring plan
8. Press down the opening levers of the terminals, you will hear the terminal spring closing
9. Check the hold of the wires in the terminals by lightly pulling on them
10. Connect the screen to the internal ground terminal, connect the external ground terminal to potential equalisation
11. Tighten the compression nut of the cable entry gland. The seal ring must completely encircle the cable
12. Screw the housing lid back on

The electrical connection is finished.



Fig. 33: Connection steps 6 and 7

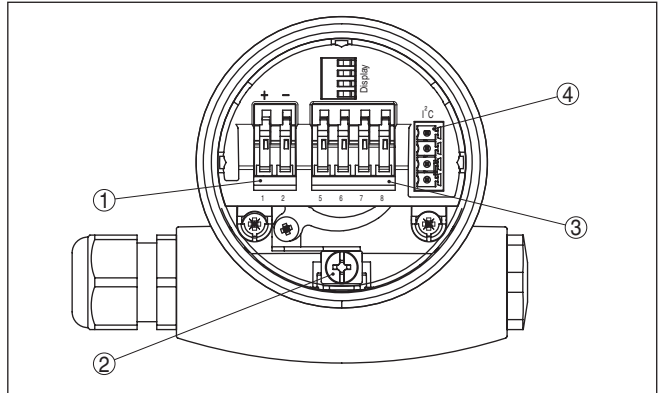


### 5.3 Single chamber housing



The following illustrations apply to the non-Ex as well as to the Ex-ia version.

#### Electronics and connection compartment



- 1 Spring-loaded terminals for voltage supply
- 2 Spring loaded terminals for display and adjustment module
- 3 Plug connector for service interface
- 4 Ground terminal for connection of the cable screening

#### Wiring plan

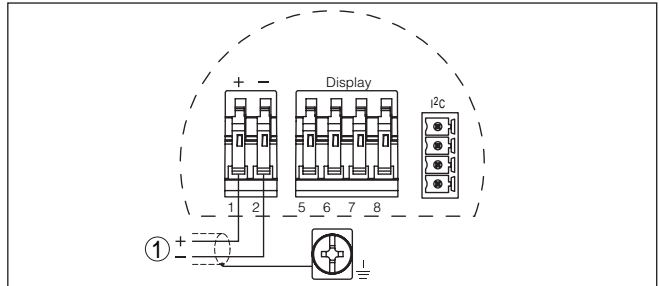


Fig. 34: Wiring plan - single chamber housing

- 1 Voltage supply, signal output

### 5.4 Double chamber housing



The following illustrations apply to the non-Ex as well as to the Ex-ia version.

Electronics compartment

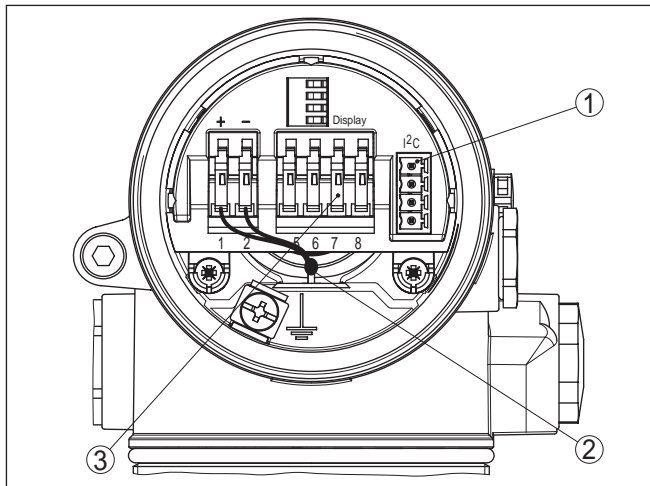


Fig. 35: Electronics compartment - double chamber housing

- 1 Internal connection cable to the connection compartment
- 2 Spring loaded terminals for display and adjustment module
- 3 Plug connector for service interface

Connection compartment

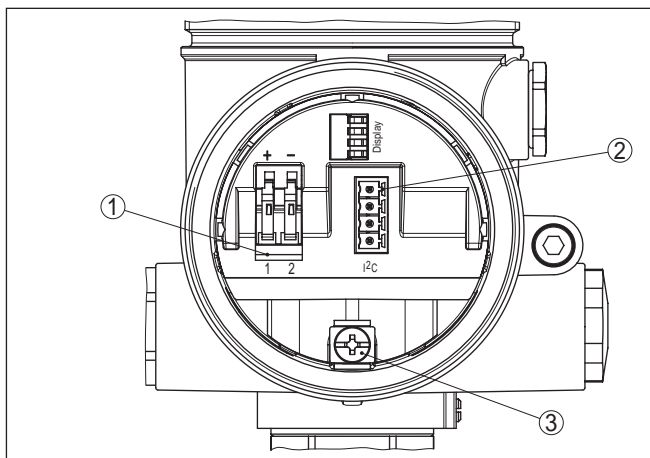


Fig. 36: Connection compartment - double chamber housing

- 1 Spring-loaded terminals for voltage supply
- 2 Plug connector for service (I<sup>2</sup>C interface)
- 3 Ground terminal for connection of the cable screening

Wiring plan

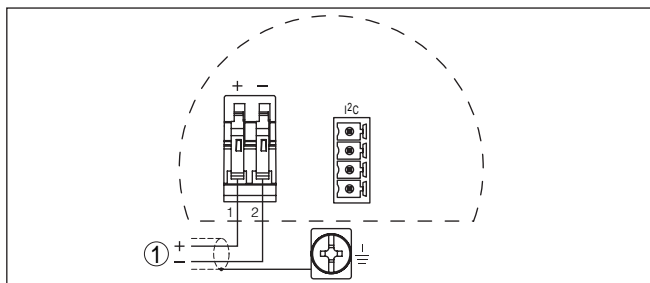


Fig. 37: Wiring plan - double chamber housing

1 Voltage supply, signal output

### 5.5 Double chamber housing Ex d ia

Electronics compartment

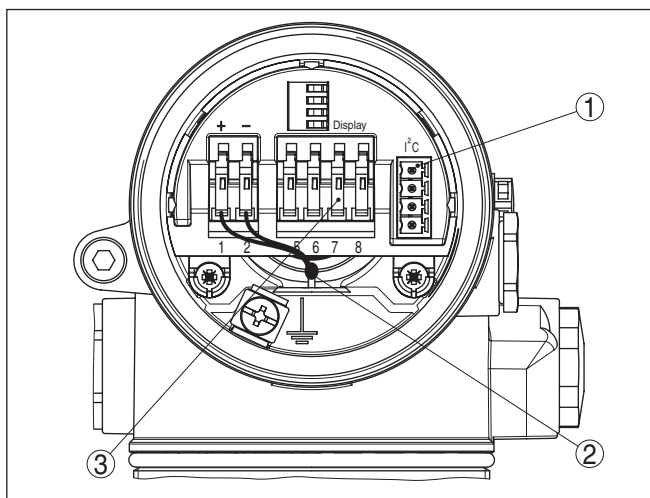


Fig. 38: Electronics compartment, double chamber housing

1 Plug connector for service (I<sup>2</sup>C interface)

2 Internal connection cable to the connection compartment

3 Terminals for the external display and adjustment unit

Connection compartment

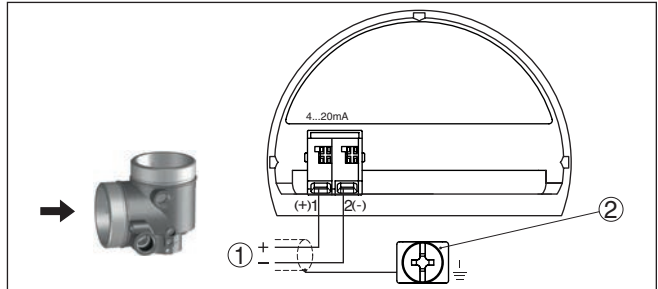


Fig. 39: Connection compartment - Ex-d-ia double chamber housing

- 1 Voltage supply, signal output
- 2 Ground terminal for connection of the cable screening

Plug M12 x 1 for external display and adjustment unit

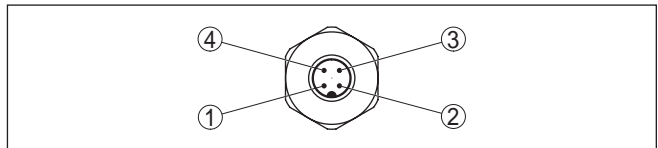


Fig. 40: Top view of the plug connector

- 1 Pin 1
- 2 Pin 2
- 3 Pin 3
- 4 Pin 4

Contact pin	Colour, connection cable in the sensor	Terminal, electronics module
Pin 1	Brown	5
Pin 2	White	6
Pin 3	Blue	7
Pin 4	Black	8

5.6 Version IP66/IP68, 1 bar

Wire assignment, connection cable

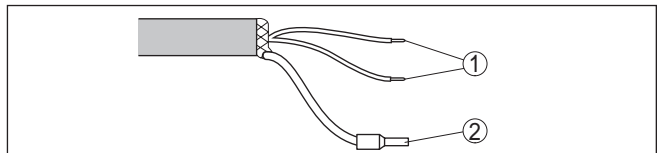


Fig. 41: Wire assignment, connection cable

- 1 Brown (+) and blue (-) to power supply or to the processing system
- 2 Shielding

## Switch-on phase

### 5.7 Switch-on phase

After connecting DPT-10 to power supply or after a voltage recurrence, the instrument carries out a self-check for approx. 30 seconds:

- Internal check of the electronics
- Indication of the instrument type, the firmware as well as the sensor TAGs (sensor designation)
- Output signal jumps for approx. 15 seconds to the set fault current

Then the corresponding current is output to the cable (the value corresponds to the actual level as well as the settings already carried out, e.g. factory setting).

## 6 Adjustment with the display and adjustment module

### 6.1 Short description

#### Function/Configuration

The display and adjustment module is used for measured value display, adjustment and diagnosis. It can be mounted in the following housing versions and instruments:

- All sensors DPT-10 and IPT-1\*, in the single as well as double chamber housing (optionally in the electronics or connection compartment)
- External display and adjustment unit



#### Note:

You can find detailed information on adjustment in the operating instructions manual "*Display and adjustment module*".

### 6.2 Insert display and adjustment module

#### Mount/dismount display and adjustment module

The display and adjustment module can be inserted and removed again at any time. It is not necessary to interrupt the power supply.

For installation, proceed as follows:

1. Unscrew the housing lid
2. Place the display and adjustment module in the desired position on the electronics (you can choose any one of four different positions - each displaced by 90°)
3. Press the display and adjustment module onto the electronics and turn it to the right until it snaps in
4. Screw housing lid with inspection window tightly back on

Disassembly is carried out in reverse order.

The display and adjustment module is powered by the sensor, an additional connection is not necessary.



Fig. 42: Insert display and adjustment module



**Note:**

If you intend to retrofit the instrument with a display and adjustment module for continuous measured value indication, a higher lid with an inspection glass is required.

### 6.3 Adjustment system

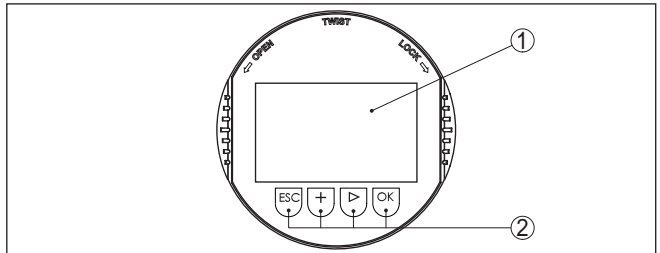


Fig. 43: Display and adjustment elements

- 1 LC display
- 2 Indication of the menu item number
- 3 Adjustment keys

**Key functions**

- **[OK]** key:
  - Move to the menu overview
  - Confirm selected menu
  - Edit parameter
  - Save value

- **[>]** key to select:
  - Menu change
  - Select list entry
  - Select editing position
- **[+]** key:
  - Change value of the parameter
- **[ESC]** key:
  - Interrupt input
  - Jump to next higher menu

### Adjustment system

The instrument is operated via the four keys of the display and adjustment module. The individual menu items are shown on the LC display. You can find the function of the individual keys in the previous illustration.

### Time functions

When the **[+]** and **[>]** keys are pressed quickly, the edited value, or the cursor, changes one value or position at a time. If the key is pressed longer than 1 s, the value or position changes continuously.

When the **[OK]** and **[ESC]** keys are pressed simultaneously for more than 5 s, the display returns to the main menu. The menu language is then switched over to "English".

Approx. 60 minutes after the last pressing of a key, an automatic reset to measured value indication is triggered. Any values not confirmed with **[OK]** will not be saved.

## 6.4 Set parameters

### Introduction

This chapter describes the device-specific adjustment parameters.



#### Information:

If the adjustment limits of the adjustment parameters are exceeded, the message "Outside parameter limits" appears. The editing procedure can be aborted with **[ESC]** or the displayed limit value can be accepted with **[OK]**.

### Basic adjustment - Application

The DPT-10 can be used for differential pressure, level, flow as well as density and interface measurement. The selection of the respective application is carried out in the menu item "Application". Depending on the selected application, the adjustment is carried out as zero/span or min./max. adjustment.



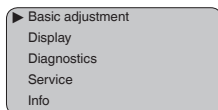
#### Information:

The applications density and interface measurement are also realized via the application level measurement.

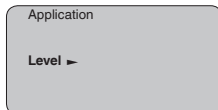
Proceed as follows to switch over to the application differential pressure or flow measurement:

1. Push the **[OK]** button in the measured value display, the menu overview is displayed.





2. Confirm the menu "*Basic adjustment*" with **[OK]**.



3. Confirm the menu item "*Application*" with **[OK]**.

**Warning:**

Note the warning: "*Output can change*".

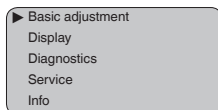
4. Select with **[->]** "*OK*" and confirm with **[OK]**.
5. Select the requested application in the selection list, for example "*Flow*" and confirm with **[OK]**.

**Basic adjustment - Unit**

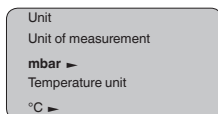
In this menu item you select the adjustment unit as well as the unit for the temperature indication in the display.

To select the adjustment unit (in the example switching over from mbar to bar), proceed as follows:

1. Push the **[OK]** button in the measured value display, the menu overview is displayed.



2. Confirm the menu "*Basic adjustment*" with **[OK]**, the menu item "*Unit*" will be displayed.



3. Activate the selection with **[OK]** and select "*Units of measurement*" with **[->]**.
4. Activate the selection with **[OK]** and select the requested unit with **[->]** (in the example bar).
5. Confirm with **[OK]** and move to position correction with **[->]**.

The adjustment unit is thus switched over from mbar to bar.

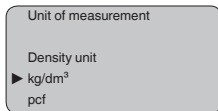
**Information:**

When switching over to adjustment in a height unit (for example for level measurement), the density also has to be entered.

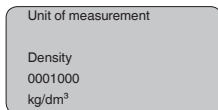
Proceed as follows to enter the density:

1. Push the **[OK]** button in the measured value display, the menu overview is displayed.

2. Confirm the menu "**Basic adjustment**" with [OK], the menu item "**Units of measurement**" will be displayed.
3. Activate the selection with [OK] and select the requested unit with [->] (in the example m).
4. Confirm with [OK], the submenu "**Density unit**" appears.



5. Select the requested unit, e.g. kg/dm<sup>3</sup> with [->] and confirm with [OK], the submenu "**Density**" appears.



6. Enter the requested density value with [->] and [+], confirm with [OK] and move to position correction with [->].

The adjustment unit is thus switched over from bar to m.

Proceed as follows to select the temperature unit:

- Activate the selection with [OK] and select "**Temperature unit**" with [->].
- Activate the selection with [OK] and select the requested unit with [->] (e.g. °F).
- Confirm with [OK].

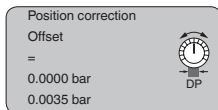
The temperature unit is hence switched over from °C to °F.

### Basic adjustment - Position correction

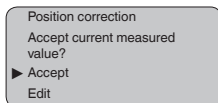
The position correction compensates the influence of the installation position of the instrument on the measured value. In this menu item, the offset value as well as the current measured value are displayed.

Proceed as follows:

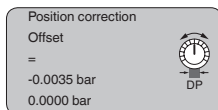
1. Activate in the menu item "**Position correction**" the selection with [OK].



2. Select with [->], e.g. to accept the actual measured value 0.0035 bar.



3. Confirm with [OK].



4. Move to min. (zero) adjustment with **[<->]**.

The current measured value was corrected to 0, the corrective value is available in the display as offset value with sign reversal.

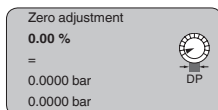
If a known value should be taken over as position correction which is not the current value, then you have to select the function "Edit" and enter the requested value.

### Basic adjustment - Zero adjustment with differential pressure

In this menu item, the min. differential pressure is entered.

Proceed as follows:

1. Edit the bar value in the menu item "zero" with **[OK]**.



2. Set the requested value with **[+]** and **[<->]**.
3. Confirm with **[OK]** and move to span adjustment with **[<->]**.

For an adjustment with pressure, simply enter the actual measured value indicated at the bottom of the display.

The zero adjustment is finished.



#### Information:

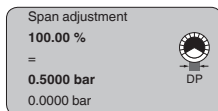
The Zero adjustment shifts the value of the span adjustment. The span, i.e. the difference between these values, however, remains unchanged.

### Basic adjustment - Span adjustment with differential pressure

In this menu item, the max. differential pressure is entered.

Proceed as follows:

1. Edit the bar value in the menu item "span" with **[OK]**.



#### Information:

If the instrument has not yet been adjusted, the displayed pressure for 100 % corresponds to the nominal measuring range of the sensor (in the above example 500 mbar).

2. Set the requested value with **[+]** and **[<->]**.
3. Confirm with **[OK]** and move to the menu overview with **[ESC]**.

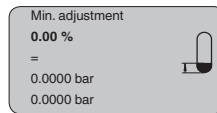
For an adjustment with pressure, simply enter the actual measured value indicated at the bottom of the display.

The span adjustment is finished.

**Basic adjustment - Min. adjustment with level**

Proceed as follows:

1. Edit the % value in the menu item "Min. adjustment" with **[OK]**.



2. Set the requested value with **[+]** and **[->]**.
3. Confirm with **[OK]** and edit the requested bar value.
4. Set the requested bar value with **[+]** and **[->]**.
5. Confirm with **[OK]** and move to max. adjustment with **[->]**.

For an adjustment with filling, simply enter the actual measured value indicated at the bottom of the display.

The min. adjustment is finished.

**Basic adjustment - Max. adjustment with level**

Proceed as follows:

1. Edit the % value in the menu item "Max. adjustment" with **[OK]**.

**Information:**

If the instrument has not yet been adjusted, the displayed pressure for 100 % corresponds to the nominal measuring range of the sensor (in the above example 500 mbar).

2. Set the requested value with **[->]** and **[OK]**.
3. Confirm with **[OK]** and edit the requested mbar value.
4. Set the requested value with **[+]** and **[->]**.
5. Confirm with **[OK]** and move to the menu overview with **[ESC]**.

For an adjustment with filling, simply enter the actual measured value indicated at the bottom of the display.

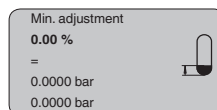
The max. adjustment is finished.

**Basic adjustment - Min. adjustment with density**

For the min. adjustment with density, a filling of the vessel is not necessary. The numeric examples are stated in chapter *Mounting, Measurement setup, Density and interface* of this instructions manual.

Proceed as follows:

1. Edit the % value in the menu item "Min. adjustment" with **[OK]**.



2. Set the requested value with **[+]** and **[->]**, for example 100 %.
3. Confirm with **[OK]** and edit the requested bar value.
4. Set the requested bar value with **[+]** and **[->]**, for example 29.4 mbar.

5. Confirm with **[OK]** and move to max. adjustment with **[->]**.

For an adjustment with filling, simply enter the actual measured value indicated at the bottom of the display.

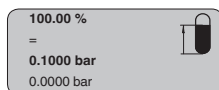
The min. adjustment is finished.

### Basic adjustment - Max. adjustment with density

For the max. adjustment with density, a filling of the vessel is not necessary. The numeric examples are stated in chapter *Mounting, Measurement setup, Density and interface* of this instructions manual.

Proceed as follows:

1. Edit the % value in the menu item "Max. adjustment" with **[OK]**.



#### Information:

If the instrument has not yet been adjusted, the displayed pressure for 100 % corresponds to the nominal measuring range of the sensor (in the above example 100 mbar).

2. Set the requested value with **[->]** and **[OK]**, for example 0.0 %.
3. Confirm with **[OK]** and edit the requested mbar value.
4. Set the requested value with **[+]** and **[->]**, for example 35.3 mbar.
5. Confirm with **[OK]** and move to the menu overview with **[ESC]**.

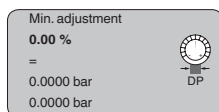
For an adjustment with filling, simply enter the actual measured value indicated at the bottom of the display.

The max. adjustment is finished.

### Basic adjustment - Min. adjustment with flow

Proceed as follows:

1. Edit the bar value in the menu item "Min. adjustment" with **[OK]**.



2. Set the requested bar value with **[+]** and **[->]**.
3. Confirm with **[+]** and move to max. adjustment with **[->]**.

For an adjustment with flow, simply enter the actual measured value indicated at the bottom of the display.



#### Information:

The DPT-10 is also suitable for bidirectional flow measurement (flow in both directions). The selection is carried out in the menu item "Linearization curve". With the bidirectional flow measurement, the min. adjustment value must be equal to the negative max. adjustment value.

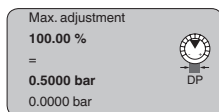
Example: Max. adjustment value **+100 mbar**, as min. adjustment value, **-100 mbar** must hence be entered.

The min. adjustment is finished.

**Basic adjustment - Max. adjustment with flow**

Proceed as follows:

1. Edit the bar value in the menu item "Max. adjustment" with **[OK]**.

**Information:**

If the instrument has not yet been adjusted, the displayed pressure for 100 % corresponds to the nominal measuring range of the sensor (in the above example 500 mbar).

2. Set the requested mbar value with **[->]** and **[OK]**.
3. Confirm with **[OK]** and move to the menu overview with **[ESC]**.

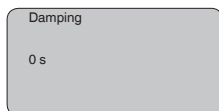
For an adjustment with flow, simply enter the actual measured value indicated at the bottom of the display.

The max. adjustment is finished.

**Menu section, basic adjustment****Basic adjustment - Damping**

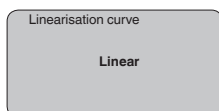
To damp process-dependent measured value fluctuations, set an integration time of 0 ... 999 s in this menu item.

Depending on the sensor type, the factory setting is 0 s or 1 s.

**Basic adjustment - Linearization curve with level**

For level measurement, a linearization is necessary for all vessels in which the vessel volume does not increase linearly with the level - e.g. in a cylindrical or spherical tank - and the indication or output of the volume is requested.

Respective linearisation curves are stored for these vessels. They indicate the relation between the percentage level and the vessel volume. By activating the suitable curve, the percentage vessel volume is displayed correctly.



Enter the requested parameters via the appropriate keys, save your settings and jump to the next menu item with the **[->]** key.

**Caution:**

Note the following if the DPT-10 with corresponding approval is used as part of an overflow protection system according to WHG (Water Resources Act):

If a linearisation curve is selected, the measuring signal is no longer necessarily linear to the filling height. This must be considered by the

user especially when setting the switching point on the limit signal transmitter.

### Basic adjustment - Linearization curve with flow

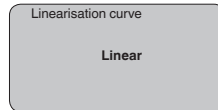
The square of the flow is proportional to the pressure difference at the orifice or the back pressure probe:

$$(Q_n)^2 = c \cdot \Delta p$$

To provide a linear relation between flow and output variable, an extraction by root is necessary:

$$Q_n = \sqrt{c \cdot \Delta p}$$

The DPT-10 has a root extraction function. It is selected in the menu item "Linearization curve".



Enter the requested parameters via the appropriate keys, save your settings and jump to the next menu item with the [→] key.



#### Information:

When selecting flow bidirectional, the min. adjustment must be entered with negative sign.

### Basic adjustment - Leak flow volume suppression with flow

In some application, small flow quantities should not be detected. With the creeping quantity suppression, the flow value can be suppressed up to a certain % value. The default value is 5 % of the max. flow value, corresponding to 0.25 % of the max. differential pressure value. The limit value is 50 %. This function depends on the selected linearization function and is only available with root extracted characteristics.

The square root/bidirectional square root characteristics is very steep at the zero point. This means that small changes in the measured differential pressure cause big changes in the output signal. The leak volume suppression stabilises the signal output.

### Basic adjustment - Sensor TAG

In the menu item "Sensor-TAG" you edit a 12-digit measurement loop name. An unambiguous designation can hence be assigned to the sensor, e.g. the measurement loop name or the tank or product designation. In digital systems and in the documentation of larger plants, a singular designation should be entered for exact identification of individual measuring sites.

The available digits include:

- Letters from A ... Z
- Numbers from 0 ... 9
- Special characters +, -, /, -

Factory setting is "Sensor".



### Display - Indicated value

In the menu item "*Display*" you can define how the measured value should be presented on the display.

The following indication values are available:

- Height
- Pressure (only with pressure transmitters)
- Current
- Scaled
- Percent
- Lin. percent
- Temperature

The selection "*scaled*" opens the menu items "*Display unit*" and "*Scaling*". In "*Display unit*" there are the following options:

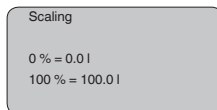
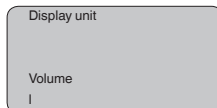
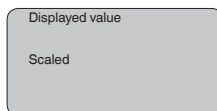
- Height
- Ground
- Flow
- Volume
- Without unit

Depending on selection, the different units are in turn available.

In the menu item "*Scaling*", the requested numerical value with decimal point is entered for 0 % and 100 % of the measured value.

There is the following relationship between the indication value in the menu "*Display*" and the adjustment unit in the menu "*Device settings*":

- With pressure, the displayed value "*Pressure*" or "*Height*" means: presentation of the measured value in the selected adjustment unit, e.g. bar or m.



### Display - Backlight

An integrated background lighting can be switched on via the adjustment menu.



The function depends on the height of the operating voltage, see operating instructions of the respective sensor.

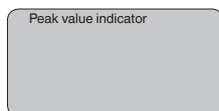
To maintain the function of the device, the lighting is temporarily switched off if the power supply is insufficient.

In the default setting, the lightning is switched on.

### Diagnosis - Peak value

The respective min. and max. measured values are saved in the sensor. The values are displayed in the menu item "*Peak values*".

- Min. and max. pressure<sup>1)</sup>
- Min. and max. temperature<sup>2)</sup>



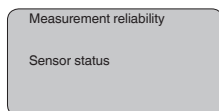
### Diagnostics - Device status

The instrument status is displayed in this menu item. If no failure is detected by the sensor, "OK" will be displayed. If a failure is detected, there will be a sensor-specific flashing fault signal, for example "E013". The failure is also displayed in clear text, for example "*No measured value available*".



#### Information:

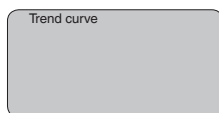
The fault message as well as the clear text indication are also carried out in the measured value display.



### Diagnostics - Trend curve

Available with the trend curve:

- "X-Zoom": Resolution in minutes, hours or days
- "Stop/Start": Interrupt a recording or start a new recording
- "Unzoom": Reset the resolution to minutes



### Diagnosis - Total amounts counter and subtotalizer with flow

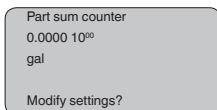
The DPT-10 has two internal totalizers. For both you can adjust volume or mass as count function as well as separately the unit.

Proceed as follows:

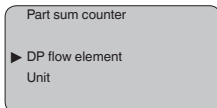
1. Select, for example, menu item "*Part sum counter*".

<sup>1)</sup> Pressure: -50 ... +150 % of the nominal measuring range.

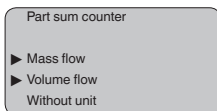
<sup>2)</sup> Temperature: -50 ... +150 °C.



2. Activate the function "Modify settings?" with **[OK]**.

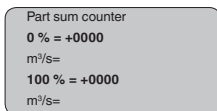


3. Confirm with **[OK]** "DP flow element".



4. Select the requested variable with **[->]** and confirm with **[OK]**.

5. Select calibration unit of the DP flow element with **[->]**, for example  $m^3/s$  and confirm with **[OK]**.



6. Edit with **[OK]** and set the requested values with **[+]** and **[->]**.

7. Confirm with **[OK]** and jump back to the indication of the part sum counter.

8. Select with **[->]** the unit of the sum counter, adjust the requested unit with **[->]**, for example  $m^3/s$  and confirm with **[OK]**.

The setting of the part sum counter is hence terminated, the counting function is activated.

The procedure of the total sum counter is the same.

### Service - Current output

In the menu item "Current output" you determine the behaviour of the current output during operation and in case of failure. The following options are available:

#### Current output

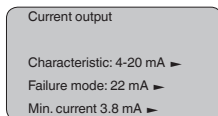
Characteristics	<b>4 ... 20 mA</b> 20 ... 4 mA
Failure mode <sup>3)</sup>	Hold value 20.5 mA 22 mA <b>&lt; 3.6 mA</b>

<sup>3)</sup> Value of the current output in case of failure, e.g. if no valid measured value is delivered.

Min. current <sup>4)</sup>	<b>3.8 mA</b> 4 mA
Max. current <sup>5)</sup>	<b>20 mA</b> 20.5 mA

The values in bold font represent the data of the factory setting.

In HART multidrop mode, the current is constantly 4 mA. This value does not change even in case of failure.



### Menu section, service

#### Service - Simulation

In this menu item you simulate a user-defined level or pressure value via the current output. This allows you to test the signal path, e.g. through connected indicating instruments or the input card of the control system.

The following simulation variables are available:

- Percent
- Current
- Pressure

With Profibus PA sensors, the selection of the simulated value is made via the "Channel" in the menu "*Basic adjustments*".

How to start the simulation:

1. Push **[OK]**
2. Select the requested simulation variable with **[->]** and confirm with **[OK]**.
3. Set the requested numerical value with **[+]** and **[->]**.
4. Push **[OK]**

The simulation is now running, with 4 ... 20 mA/HART a current is output and with Profibus PA or Foundation Fieldbus a digital value.

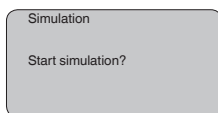
How to interrupt the simulation:

→ Push **[ESC]**



#### Information:

The simulation is automatically terminated 10 minutes after the last pressing of a key.



<sup>4)</sup> This value is not underrun during operation.

<sup>5)</sup> This value is not exceeded during operation.

**Service - Reset****Basic adjustment**

The reset "*Basic adjustment*" resets the values of the following menu items to the reset values (see table):

Menu section	Menu item	Reset value
Basic settings	Zero/Min. adjustment	Measuring range begin
	Span/Max. adjustment	Measuring range end
	Density	1 kg/l
	Density unit	kg/l
	Damping	1 s
	Linearisation	Linear
	Sensor-TAG	Sensor
Display	Displayed value	Differential pressure
	Display unit	Mass/kg
	Scaling	0.00 to 100.0
	Decimal point indication	8888.8
Diagnostics	Totalizer	0.0000 10 <sup>00</sup> gal
	Part sum counter	0.0000 10 <sup>00</sup> gal
Service	Current output - characteristics	4 ... 20 mA
	Current output - failure mode	< 3.6 mA
	Current output - min. current	3.8 mA
	Current output - max. current	20.5 mA

The values of the following menu items are *not* reset with "**Reset**":

Menu section	Menu item	Reset value
Basic settings	Unit of measurement	bar
	Temperature unit	°C
	Position correction	No reset
Display	Backlight	No reset
Service	Language	No reset
	HART mode	No reset
	Application	No reset

**Peak value indicator**

The min. and max. temperature or pressure values are each reset to the actual value.

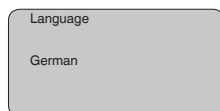
**Totalizer**

The total and part sum counter are reset to zero.

**Service - Language**

The sensor is already set to the ordered national language. In this menu item you can change the language. The following languages are available as of software version 3.50:

- Deutsch
- English
- Français
- Español
- Pycckuu
- Italiano
- Netherlands
- Japanese
- Chinese

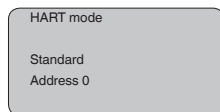
**Service - HART mode**

HART offers standard and multidrop mode.

The mode "standard" with the fixed address 0 means outputting the measured value as a 4 ... 20 mA signal.

In Multidrop mode, up to 15 sensors can be operated on one two-wire cable. An address between 1 and 15 must be assigned to each sensor.<sup>6)</sup>

In this menu item you determine the HART mode and enter the address for multidrop.



The default setting is standard with address 0.

**Service - Copy sensor data**

This function enables the upload of parameter adjustment data to the display and adjustment module or the download of parameter adjustment data to the sensor.

The following data are loaded or downloaded with this function:

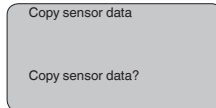
- Measured value presentation
- Application
- Adjustment
- Damping
- Linearisation curve
- Leak flow volume suppression
- Sensor-TAG
- Displayed value
- Display unit
- Scaling

<sup>6)</sup> The 4 ... 20 mA signal of the sensor is switched off. The sensor uses a constant current of 4 mA. The measuring signal is transmitted exclusively as a digital HART signal.

- Current output
- Unit of measurement
- Language

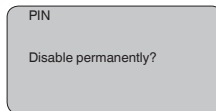
The following safety-relevant data are **not** uploaded or downloaded:

- HART mode
- PIN



### Service - PIN

In this menu item, the PIN is activated/deactivated permanently. Entering a 4-digit PIN protects the sensor data against unauthorized access and unintentional modifications. If the PIN is activated permanently, it can be deactivated temporarily (i.e. for approx. 60 min.) in any menu item. The instrument is delivered with the PIN set to 0000.



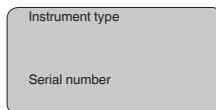
Only the following functions are permitted with activated PIN:

- Select menu items and show data
- Read data from the sensor into the display and adjustment module

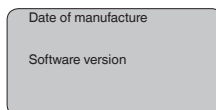
### Info

In this menu item the most important sensor information can be displayed:

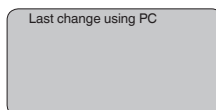
- Instrument type
- Serial number: 8-digit number, e.g. 12345678



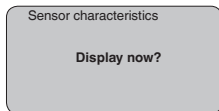
- Date of manufacture: Date of the factory calibration
- Software version: Edition of the sensor software



- Date of last change using PC: Date of the last change of sensor parameters via PC



- Sensor details, e.g. approval, process fitting, seal, measuring cell, measuring range, electronics, housing, cable entry, plug, cable length etc.



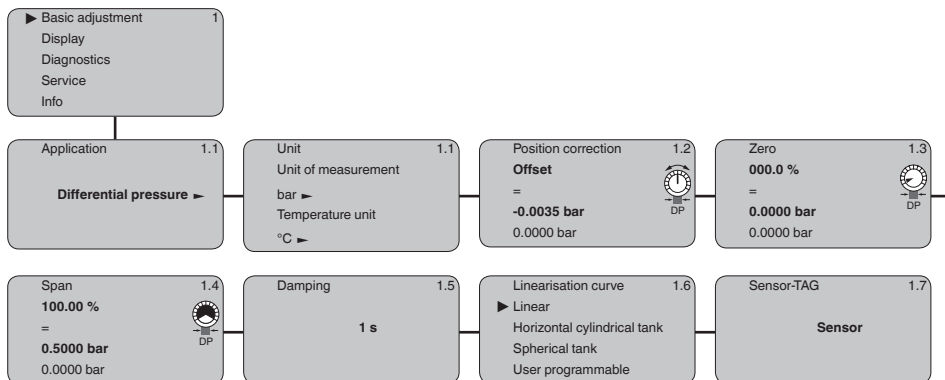
## 6.5 Menu schematic



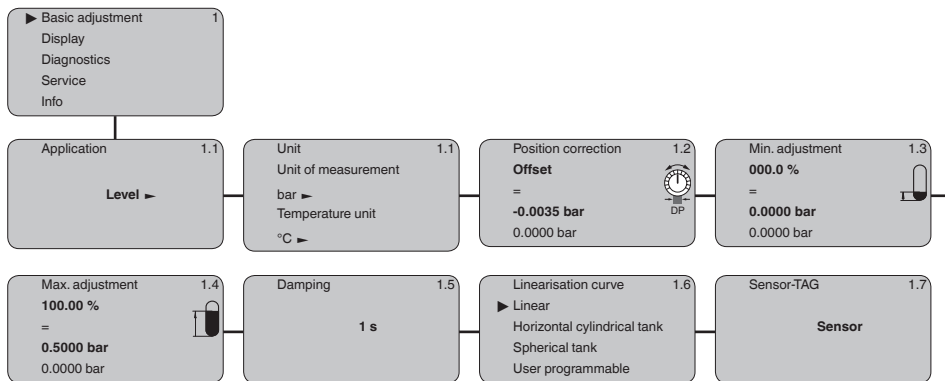
### Information:

Depending on the version and application, the highlighted menu windows may not always be available.

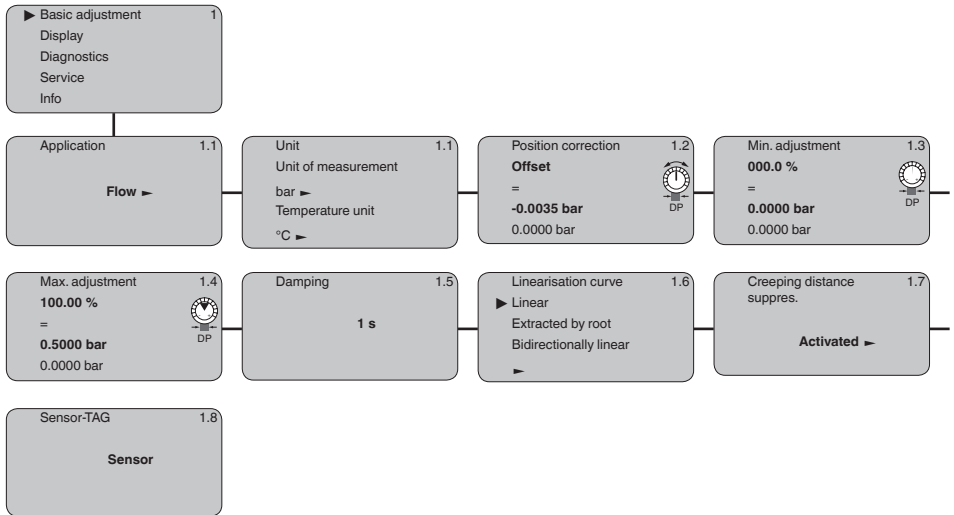
### Basic adjustment differential pressure



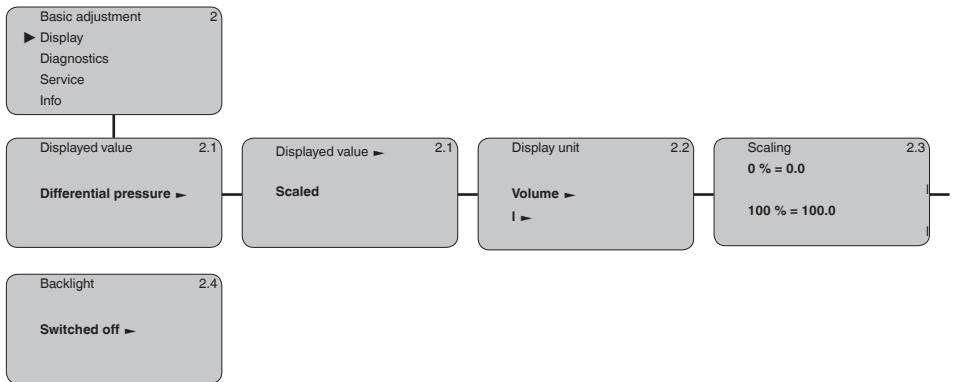
### Basic setting level



### Basic adjustment flow

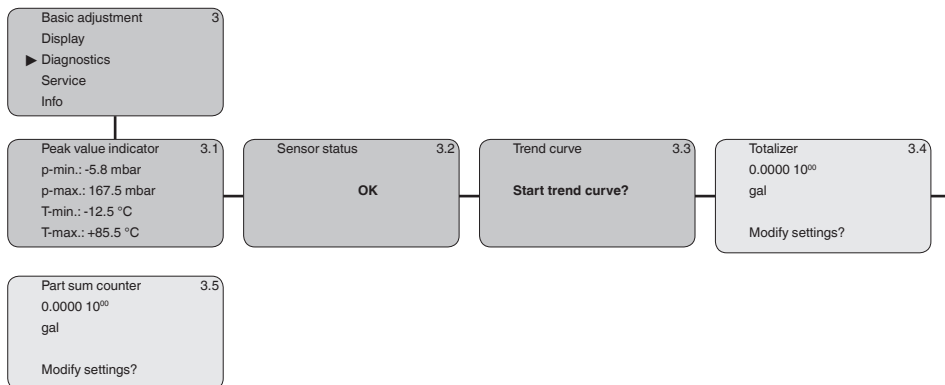


### Display

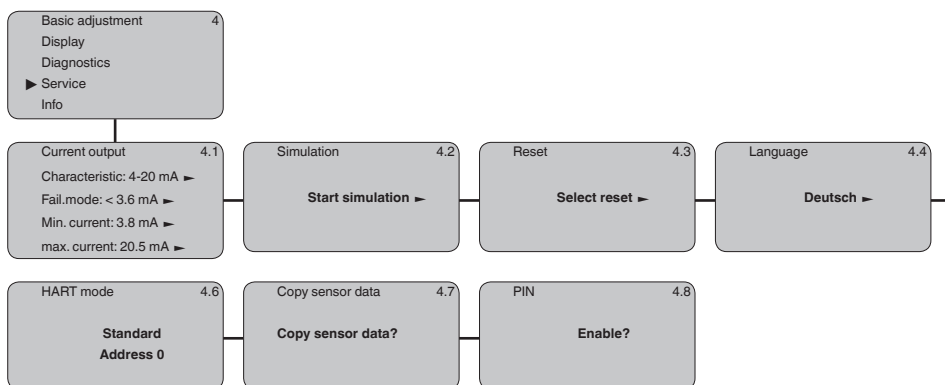




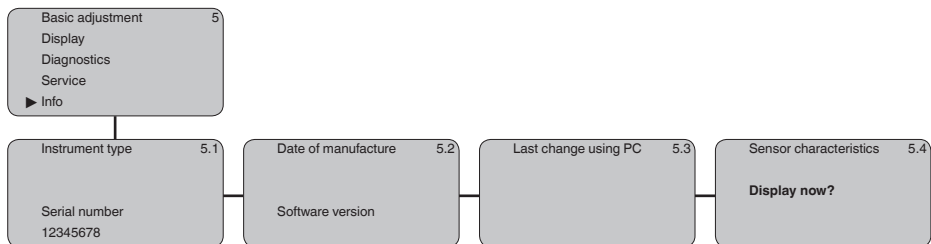
### Diagnostics



### Service



### Info



## 6.6 Saving the parameterisation data

We recommended writing down the adjustment data, e.g. in this operating instructions manual, and archiving them afterwards. They are thus available for multiple use or service purposes.

If the DPT-10 is equipped with a display and adjustment module, the most important data can be read from the sensor into the display and adjustment module. The data remain permanently saved there even in case of sensor supply failure.

If it is necessary to exchange the sensor, the display and adjustment module is inserted into the replacement instrument and the data are written into the sensor under the menu item "*Copy sensor data*".

## 7 Setup with the adjustment program AMS↑

### 7.1 Parameter adjustment with AMS↑

For WIKA sensors, instrument descriptions for the adjustment program AMS↑ are available as DD. The instrument descriptions are already implemented in the current version of AMS↑. For older versions of AMS↑, a free-of-charge download is available via Internet.

Go via [www.WIKA.com](http://www.WIKA.com) and "*Downloads*" to the item "*Software*".

## 8 Setup

### 8.1 General instructions

Before adjusting DPT-10, you have to clean the effective pressure lines and the instrument must be filled with the medium.

DPT-10 with double chemical seal is immediately ready for operation.

The DPT-10 without chemical seal or with single chemical seal is ready for operation after opening a blocking valve, in case one is present.

### 8.2 Flow measurement

#### Gases

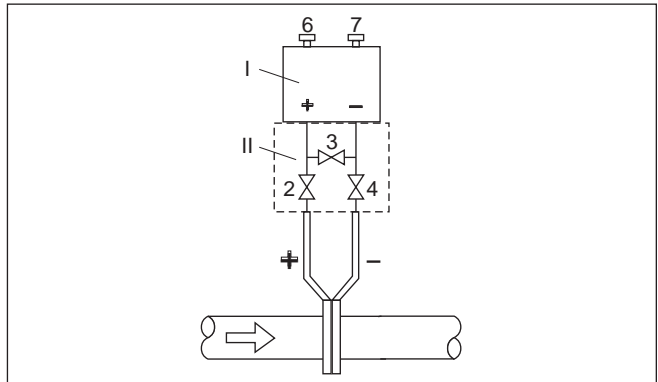


Fig. 44: Preferred measurement setup for gases, connection via 3-fold valve block, flanging on both sides

- I DPT-10
- II 3-fold valve block
- 2, 4 Inlet valves
- 3 Breather valve
- 6, 7 Vent valves on DPT-10

## Liquids

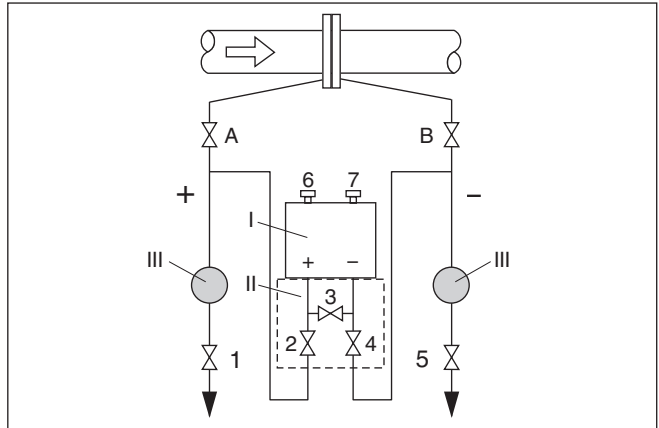


Fig. 45: Preferred measurement setup for liquids

- I DPT-10
- II 3-fold valve block
- III Precipitator
- 1, 5 Drain valves
- 2, 4 Inlet valves
- 3 Breather valve
- 6, 7 Vent valves on DPT-10
- A, B Blocking valves

Proceed as follows:

1. Close valve 3
2. Fill measuring system with medium.  
For this purpose, open valves A, B (if available) as well as 2, 4:  
Medium flows in  
If necessary, clean the differential pressure lines: - with gases by blowing out with compressed air - with liquids by rinsing.<sup>7)</sup>  
For this purpose close valve 2 and 4, i.e. block the instrument.  
Then open valve 1 and 5 so that the effective pressure lines blow out/rinse.  
Close valves 1 and 5 (if available) after cleaning
3. Remove air from instrument:  
Open valves 2 and 4: Medium flows in  
Close valve 4: Low pressure side is closed  
Open valve 3: Equalisation high and low pressure side  
Briefly open valve 6 and 7, then close again: Fill the measuring instrument completely with the medium and remove air
4. Carry out a position correction if the following conditions apply. If the conditions are not fulfilled, then carry out the position correction after step 6.  
Conditions:

<sup>7)</sup> Arrangement with 5 valves.

The process cannot be sealed off.

The pressure extraction points (A and B) are at the same geodesic height.

5. Put measurement loop into operation:  
 Close valve 3: Separate high and low pressure side  
 Open valve 4: Connect low pressure side  
 Now:  
 Valves 1, 3, 5, 6 and 7 are closed<sup>8)</sup>  
 Valves 2 and 4 are open  
 Valves A and B open
6. Carry out position correction, if flow can be blocked. In this case, step 5 is not required.

### 8.3 Level measurement

#### Closed vessel

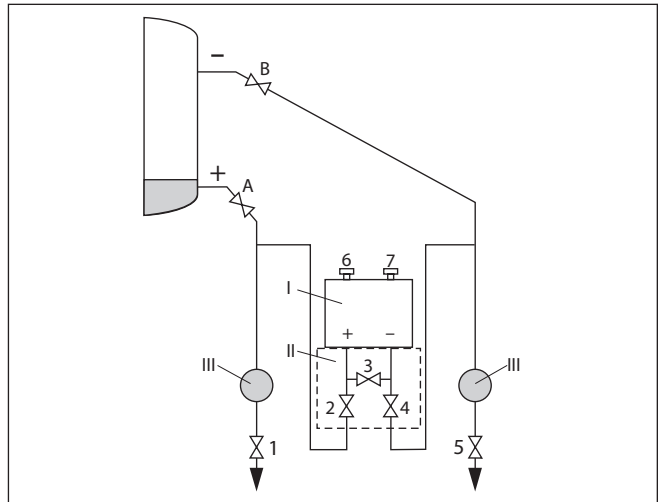


Fig. 46: Preferred measurement setup for closed vessels

- I DPT-10
- II 3-fold valve block
- III Precipitator
- 1, 5 Drain valves
- 2, 4 Inlet valves
- 6, 7 Vent valves on DPT-10
- A, B Blocking valves

Proceed as follows:

1. Fill the vessel to just above the lower tap
2. Fill measuring system with medium  
 Close valve 3: Separate high/low pressure side

<sup>8)</sup> Valves 1, 3, 5: Configuration with 5 valves.

Open valve A and B: Open block valves

- Vent high pressure side (probably empty low pressure side)

Open valve 2 and 4: Discharge medium on the high pressure side

Briefly open valve 6 and 7, then close again: Fill the high pressure side completely with the medium and remove air.

- Set measurement loop to operation

Now:

Valve 3, 6 and 7 are closed

Valves 2, 4, A and B are open

### Closed vessel with steam layer

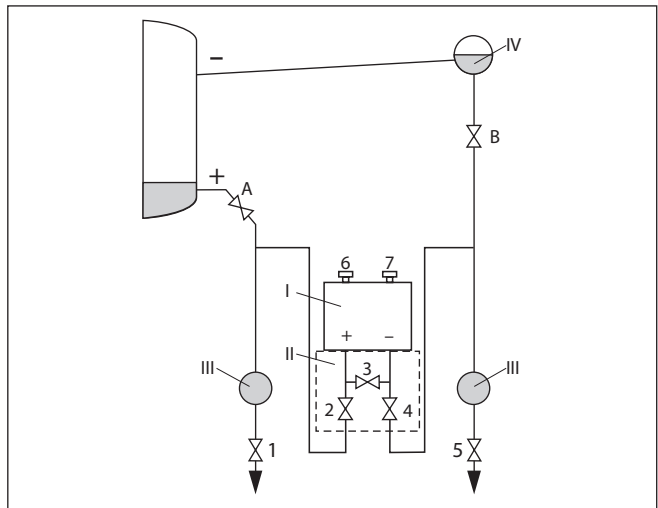


Fig. 47: Preferred measurement setup for closed vessels with steam overlay

- I DPT-10
- II 3-fold valve block
- III Precipitator
- IV Condensate vessel
- 1, 5 Drain valves
- 2, 4 Inlet valves
- 3 Breather valve
- 6, 7 Vent valves on DPT-10
- A, B Blocking valves

Proceed as follows:

- Fill the vessel to just above the lower tap

- Fill measuring system with medium

Open valve A and B: Open block valves

Fill the low pressure effective pressure line on the height of the condensation pot

- Remove air from instrument:

Open valve 2 and 4: Discharge medium

Open valve 3: Equalisation high and low pressure side

Briefly open valve 6 and 7, then close again: Fill the measuring instrument completely with the medium and remove air

4. Put measurement loop into operation:

Close valve 3: Separate high and low pressure side

Open valve 4: Connect low pressure side

Now:

Valve 3, 6 and 7 are closed

Valves 2, 4, A and B are open.

#### **8.4 Density and interface measurement**

For density and interface measurements, DPT-10 with double chemical seal is used.

DPT-10 in this version is immediately ready for operation.

#### **8.5 Differential pressure measurement**

For differential pressure measurements, DPT-10 without chemical seal or with double chemical seal is used.

DPT-10 with double chemical seal is immediately ready for operation.

Before adjusting DPT-10 without chemical seal, the effective pressure lines must be cleaned and the instrument filled with medium.

### **Instructions**



## 9 Maintenance and fault rectification

### 9.1 Maintenance

#### Maintenance

If the device is used properly, no special maintenance is required in normal operation.

In some applications, product buildup on the separating diaphragms can influence the measuring result. Depending on the sensor and application, take precautions to ensure that heavy buildup, and especially a hardening thereof, is avoided.

### 9.2 Rectify faults

#### Reaction when malfunction occurs

The operator of the system is responsible for taking suitable measures to rectify faults.

#### Causes of malfunction

The device offers maximum reliability. Nevertheless, faults can occur during operation. These may be caused by the following, e.g.:

- Sensor
- Process
- Voltage supply
- Signal processing

#### Fault rectification

The first measures to be taken are to check the output signals as well as to evaluate the error messages via the display and adjustment module. The procedure is described below. Further comprehensive diagnostics can be carried out on a PC with the software PACTware and the suitable DTM. In many cases, the causes can be determined and the faults rectified this way.

#### Check the 4 ... 20 mA signal

Connect a multimeter in the suitable measuring range according to the wiring plan.

Error code	Cause	Rectification
4 ... 20 mA signal not stable	Level fluctuations	Set the integration time via the display and adjustment module or PACTware
4 ... 20 mA signal missing	Wrong connection to voltage supply	Check connection according to chapter "Connection steps" and if necessary, correct according to chapter "Wiring plan"
	No power supply	Check cables for breaks; repair if necessary
	Operating voltage too low or load resistance too high	Check, adapt if necessary
Current signal greater than 22 mA or less than 3.6 mA	Electronics module or measuring cell defective	Exchange the instrument or send it in for repair



In Ex applications, the regulations for the wiring of intrinsically safe circuits must be observed.

### Error messages via the display and adjustment module

Error code	Cause	Rectification
E013	no measured value available <sup>9)</sup>	Exchange the instrument or send it in for repair
E017	Adjustment span too small	repeat with modified values
E036	no operable sensor software	Carry out a software update or send instrument for repair
E041	Hardware error	Exchange the instrument or send it in for repair

### Reaction after fault rectification

Depending on the reason for the fault and the measures taken, the steps described in chapter "Set up" may have to be carried out again.

## 9.3 Instrument repair

You can find information for a return shipment under "Service" on our local website.

If a repair is necessary, please proceed as follows:

- Complete one form for each instrument
- If necessary, state a contamination
- Clean the instrument and pack it damage-proof
- Attach the completed form and possibly also a safety data sheet to the instrument

<sup>9)</sup> Fault message can also appear if the pressure is higher than the nominal range.

## 10 Dismount

### 10.1 Dismounting steps

**Warning:**

Before dismantling, be aware of dangerous process conditions such as e.g. pressure in the vessel or pipeline, high temperatures, corrosive or toxic products etc.

Take note of chapters "*Mounting*" and "*Connecting to voltage supply*" and carry out the listed steps in reverse order.

### 10.2 Disposal

The instrument consists of materials which can be recycled by specialised recycling companies. We use recyclable materials and have designed the electronics to be easily separable.

**WEEE directive**

The instrument does not fall in the scope of the EU WEEE directive. Article 2 of this Directive exempts electrical and electronic equipment from this requirement if it is part of another instrument that does not fall in the scope of the Directive. These include stationary industrial plants.

Pass the instrument directly on to a specialised recycling company and do not use the municipal collecting points.

If you have no way to dispose of the old instrument properly, please contact us concerning return and disposal.

## 11 Supplement

### 11.1 Technical data

#### Note for approved instruments

The technical data in the respective safety instructions which are included in delivery are valid for approved instruments (e.g. with Ex approval). These data can differ from the data listed herein, for example regarding the process conditions or the voltage supply.

All approval documents can be downloaded from our homepage.

#### Materials and weights

Material 316L corresponds to stainless steel 1.4404 or 1.4435

##### Materials, wetted parts

– Process fitting with lateral flanges	Steel C 22.8 (1.0460), 316L, Alloy C276 (2.4819)
– Separating diaphragm	316L, Alloy C276 (2.4819), Tantalum, Alloy C276 (2.4819) gold-rhodium coated
– Seal	FKM (Viton), FKM cleaned from oil and grease, FKM for oxygen application, PTFE, PTFE for oxygen application, NBR, copper, copper for oxygen application
– Screw plugs	316L
Internal transmission liquid	Synthetic oil, Halocarbon oil <sup>10)</sup>

##### Materials, non-wetted parts

– Electronics housing	Plastic PBT (polyester), Alu die-casting powder-coated
– External electronics housing	Plastic PBT (Polyester)
– Socket, wall mounting plate external electronics housing	Plastic PBT (Polyester)
– Seal between housing socket and wall mounting plate	TPE (fixed connected)
– Seal ring, housing cover	Silicone
– Inspection window in housing lid for display and adjustment module	Polycarbonate (UL-746-C listed)
– Screws and nuts for lateral flange	PN 160: hexagon screw ISO 4014-M12 x 90-A4, PN 420: hexagon nut ISO 4032-M12-A4-bs
– Ground terminal	316Ti/316L
– Conductive connection	Between ground terminal and process fitting
– Connection cable with Version IP68 (1 bar)	PE
– Connection between IP68 transmitter and external electronics housing	PUR
– Type label support with IP68 version on cable	PE hard
Max. torque screws mounting strap	30 Nm

<sup>10)</sup> Halocarbon oil generally with oxygen applications, not with vacuum and absolute pressure measuring range < 1 bar<sub>abs</sub>.

Max. torque screws socket external housing	5 Nm (3.688 lbf ft)
Weight	approx. 4.2 ... 4.5 kg (9.26 ... 9.92 lbs), depending on process fitting

**Output variable**

Output signal	4 ... 20 mA/HART
HART output values	
– HART value (Primary Value)	Process pressure
– HART value (Secondary Value)	Temperature
Signal resolution	1.6 $\mu$ A
Fault signal, current output (adjustable)	mA-value unchanged 20.5 mA, 22 mA, < 3.6 mA
Max. output current	22 mA
Load	see load diagram under Power supply
Met NAMUR recommendation	NE 43

**Dynamic behaviour output**

Run-up time	$\leq 20$ s
-------------	-------------

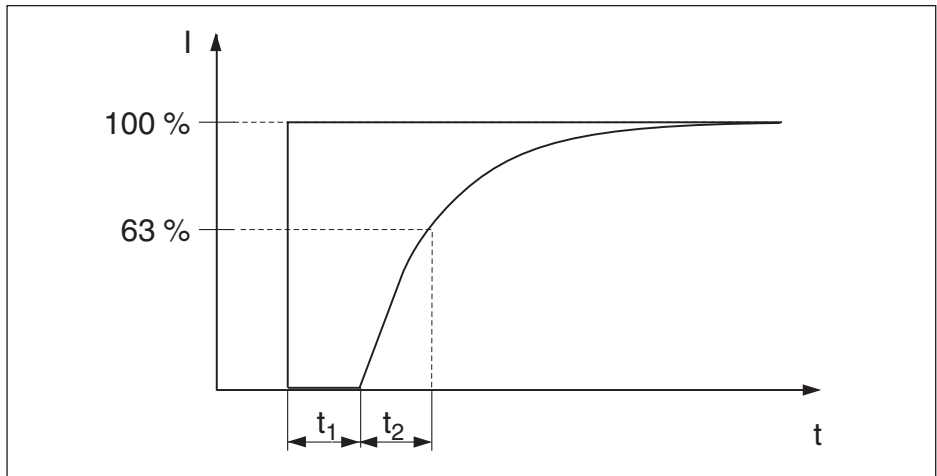


Fig. 48: Presentation of the dead time  $t_1$  and the time constant  $t_2$

The following specified total dead time applies to the 4 ... 20 mA current output:

Version, nominal measuring range	Dead time $t_1$	Time constant $t_2$
Basic version 10 bar and 30 bar	100 ms	450 ms
Basic version 100 mbar	100 ms	180 ms
Basic version 500 mbar	100 ms	180 ms
Basic version, 3 bar	100 ms	180 ms
Basic version 16 bar and 40 bar	100 ms	180 ms



Nominal range	Lower measurement limit	Upper measuring limit	Smallest adjustable span
16 bar (1600 kPa)	-16 bar (-1600 kPa)	+16 bar (+1600 kPa)	160 mbar (16 kPa)
40 bar (4000 kPa)	-40 bar (-4000 kPa)	+40 bar (+4000 kPa)	400 mbar (40 kPa)

### Reference conditions and influencing variables (according to DIN EN 60770-1)

Reference conditions according to DIN EN 61298-1

- Temperature +18 ... +30 °C (+64 ... +86 °F)
- Relative humidity 45 ... 75 %
- Air pressure 860 ... 1060 mbar/86 ... 106 kPa (12.5 ... 15.4 psig)

Determination of characteristics Limit point adjustment according to IEC 61298-2

Characteristic curve Linear

Calibration position of the measuring cell Vertical, i.e. upright process component

Influence of the installation position to the zero point  $\leq 4$  mbar<sup>14)</sup>

A position-dependent zero-point shift can be corrected (see also chapter "Adjust parameter").

Position of the span in the measuring range Based on the zero point

Diaphragm material 316L, Alloy C276 (2.4819), gold rhodium plated, Alloy 400 (2.4360)

Filling oil Silicone oil

Material, lateral flanges 316L

A position-dependent zero-point shift can be corrected (see also chapter "Adjust parameter").

### Deviation determined according to the limit point method according to IEC 60770<sup>15)</sup>

Applies to **digital** interfaces (HART, Profibus PA, Foundation Fieldbus) as well as to **analogue** current output 4 ... 20 mA. Specifications refer to the set span. Turn down (TD) is the ratio nominal measuring range/set span.

#### All versions

The following applies to square root extracted characteristics: The accuracy data of DPT-10 are entered with factor 0.5 in the accuracy calculation of the flow.

#### Basic version

10 mbar, 30 mbar measuring cell

- Turn down 1 : 1  $\pm 0.09$  % of the set span
- Turn down > 1 : 1  $\pm 0.09$  % of the set span x TD

100 mbar measuring cell

- Turn down 1 : 1 to 4 : 1  $\pm 0.075$  % of the set span
- Turn down > 4 : 1  $\pm (0.012 \times TD + 0.027)$  % of the set span

Measuring cells  $\geq 500$  mbar

- Turn down 1 : 1 to 15 : 1  $\pm 0.075$  % of the set span

<sup>14)</sup> Max. value with horizontal process component. Specification applies to the basic version without chemical seal. The value doubles with instruments with inert oil.

<sup>15)</sup> Incl. non-linearity, hysteresis and non-repeatability.

- Turn down > 15 : 1  $\pm(0.0015 \times TD + 0.053) \%$  of the set span

**Chemical seal versions**

100 mbar measuring cell

- Turn down 1 : 1 to 4 : 1  $\pm 0.075 \%$  of the set span + influence of the chemical seal

- Turn down > 4 : 1  $\pm(0.012 \times TD + 0.027) \%$  of the set span + influence of the chemical seal

Measuring cells  $\geq 500$  mbar

- Turn down 1 : 1 to 15 : 1  $\pm 0.075 \%$  of the set span + influence of the chemical seal

- Turn down > 15 : 1  $\pm(0.0015 \% \times TD + 0.053 \%)$  of the set span + influence of the chemical seal

**Influence of the medium or ambient temperature**

**Thermal change zero signal and output span**

Applies to instruments in basic version with **digital** signal output (HART, Profibus PA, Foundation Fieldbus) as well as to instruments with **analogue** current output 4 ... 20 mA. Specifications refer to the set span. Turn down (TD) = nominal measuring range/set span.

Temperature range	Measuring range	
-10 ... +60 °C (+14 ... +140 °F)	10 mbar, 30 mbar	$\pm(0.30 \times TD + 0.06) \%$
	100 mbar	$\pm(0.18 \times TD + 0.02) \%$
	500 mbar, 3 bar	$\pm(0.08 \times TD + 0.05) \%$
	16 bar	$\pm(0.1 \times TD + 0.1) \%$
	40 bar	$\pm(0.08 \times TD + 0.05) \%$
-40 ... +10 °C (-40 ... +50 °F) +60 ... +85 °C (+140 ... +185 °F)	10 mbar, 30 mbar	$\pm(0.45 \times TD + 0.1) \%$
	100 mbar	$\pm(0.3 \times TD + 0.15) \%$
	500 mbar, 3 bar	$\pm(0.12 \times TD + 0.1) \%$
	16 bar	$\pm(0.15 \times TD + 0.2) \%$
	40 bar	$\pm(0.37 \times TD + 0.1) \%$

**Thermal change, current output**

Applies also to instruments with **analogue** 4 ... 20 mA current output and refers to the set span.

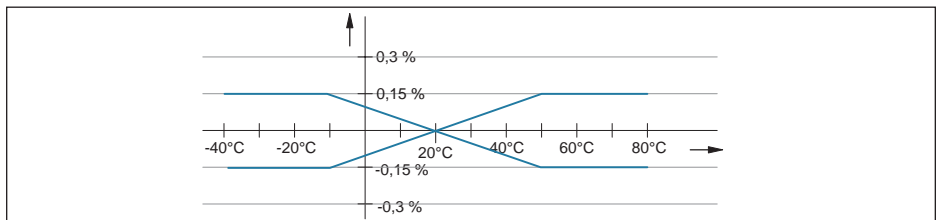


Fig. 49: Thermal change, current output



**Influence of the system pressure on the zero point and span****316L, Alloy C276 (2.4819), Alloy 400 (2.4360) diaphragm**

Measuring cell	10 mbar	30 mbar	100 mbar	500 mbar
Influence of the system pressure to the zero point	$\pm 0.15\%$ of URL/7 bar	$\pm 0.50\%$ of URL/70 bar	$\pm 0.15\%$ of URL/70 bar	$\pm 0.075\%$ of URL/70 bar
Influence of the system pressure to the span	$\pm 0.035\%$ of URL/7 bar	$\pm 0.14\%$ of URL/70 bar	$\pm 0.14\%$ of URL/70 bar	$\pm 0.14\%$ of URL/70 bar

Measuring cell	3 bar	16 bar	40 bar
Influence of the system pressure to the zero point	$\pm 0.075\%$ of URL/7 bar	$\pm 0.075\%$ of URL/70 bar	$\pm 0.075\%$ of URL/70 bar
Influence of the system pressure to the span	$\pm 0.14\%$ of URL/7 bar	$\pm 0.14\%$ of URL/70 bar	$\pm 0.14\%$ of URL/70 bar

**Alloy gold rhodium-coated diaphragm**

Measuring cell	10 mbar	30 mbar	100 mbar	500 mbar
Influence of the system pressure to the zero point	$\pm 0.15\%$ of URL/7 bar	$\pm 0.77\%$ of URL/70 bar	$\pm 0.42\%$ of URL/70 bar	$\pm 0.075\%$ of URL/70 bar
Influence of the system pressure to the span	$\pm 0.035\%$ of URL/7 bar	$\pm 0.14\%$ of URL/70 bar	$\pm 0.42\%$ of URL/70 bar	$\pm 0.14\%$ of URL/70 bar

Measuring cell	3 bar	16 bar	40 bar
Influence of the system pressure to the zero point	$\pm 0.075\%$ of URL/7 bar	$\pm 0.075\%$ of URL/70 bar	$\pm 0.075\%$ of URL/70 bar
Influence of the system pressure to the span	$\pm 0.14\%$ of URL/7 bar	$\pm 0.14\%$ of URL/70 bar	$\pm 0.14\%$ of URL/70 bar

**Tantalum diaphragm**

Measuring cell	10 mbar	30 mbar	100 mbar	500 mbar
Influence of the system pressure to the zero point	$\pm 0.32\%$ of URL/7 bar	$\pm 1.60\%$ of URL/70 bar	$\pm 0.42\%$ of URL/70 bar	$\pm 0.14\%$ of URL/70 bar
Influence of the system pressure to the span	$\pm 0.07\%$ of URL/7 bar	$\pm 0.32\%$ of URL/70 bar	$\pm 0.42\%$ of URL/70 bar	$\pm 0.14\%$ of URL/70 bar

Measuring cell	3 bar	16 bar	40 bar
Influence of the system pressure to the zero point	$\pm 0.14\%$ of URL/7 bar	$\pm 0.14\%$ of URL/70 bar	$\pm 0.14\%$ of URL/70 bar
Influence of the system pressure to the span	$\pm 0.14\%$ of URL/7 bar	$\pm 0.14\%$ of URL/70 bar	$\pm 0.14\%$ of URL/70 bar

**Total accuracy****Total Performance - Basic version**

The specification "*Total Performance*" comprises the non-linearity incl. hysteresis and non-repeatability, the thermal change of the zero point and the static pressure influence ( $p_{st} = 70 \text{ bar}$ ). All specifications refer to the adjusted span and apply to the temperature range +10 ... +60 °C (+50 ... +140 °F).

Diaphragm material	Turn Down up to	316L, Alloy	Alloy gold rhodium	Tantalum
<b>Measuring cell</b>				
10 mbar	1 : 1	< ±0.35 %	< ±0.64 %	< ±0.61 %
30 mbar	1 : 1	< ±0.77 %	< ±0.99 %	< ±1.66 %
100 mbar	2 : 1	< ±0.27 %	< ±0.50 %	< ±0.30 %
≥500 mbar	2 : 1	< ±0.15 %	< ±0.15 %	< ±0.30 %

**Total Error - basic version**

The specification "*Total Error*" comprises the longterm stability and the total performance.

Diaphragm material	316L, Alloy	Alloy gold rhodium	Tantalum
<b>Measuring cell</b>			
10 mbar	< ±0.36 %	< ±0.64 %	< ±0.62 %
30 mbar	< ±0.77 %	< ±0.99 %	< ±1.66 %
100 mbar	< ±0.33 %	< ±0.50 %	< ±0.48 %
≥500 mbar	< ±0.20 %	< ±0.20 %	< ±0.35 %

**Long-term stability (according to DIN 16086 and IEC 60770-1)**

Applies to **digital** interfaces (HART, Profibus PA, Foundation Fieldbus) as well as to **analogue** current output 4 ... 20 mA. Specifications refer to the measuring range final value.

Measuring range	1 year	5 years	10 years
10 mbar	< ±0.100 %	< ±0.150 %	-
100 mbar	< ±0.180 %	-	-
500 mbar	< ±0.025 %	< ±0.050 %	< ±0.075 %
3 bar	< ±0.038 %	< ±0.075 %	< ±0.150 %
16 bar	< ±0.025 %	< ±0.110 %	< ±0.210 %

**Ambient conditions**

Ambient, storage and transport temperature

- Standard version -40 ... +80 °C (-40 ... +176 °F)
- Version for oxygen applications<sup>16)</sup> -40 ... +60 °C (-40 ... +140 °F)
- Versions IP66/IP68 (1 bar), connection cable PE -20 ... +60 °C (-4 ... +140 °F)

<sup>16)</sup> Up to 60 °C (140 °F).

- Versions IP66/IP68 (1 bar) and IP68, -20 ... +80 °C (-4 ... +176 °F)  
connection cable PUR

**Process conditions**

The pressure and temperature specifications are used as overview. In general, the max. pressure for the pressure transmitter depends on the weakest (with regard to pressure) link. In detail, the respective specifications of the type label apply.

**Process temperature limits**

Specifications apply to the basic version as well as to the minus side with version with single chemical seal<sup>17)</sup>

- With measuring cells PN 420 Lower temperature limit -10 °C (+14 °F).
- With effective pressure lines longer than 100 mm -40 ... +120 °C (-40 ... +248 °F)
- With effective pressure lines longer than 100 mm, process fitting steel C 22.8 (1.0460) -40 ... +120 °C (-40 ... +248 °F)

Specifications apply to suitable chemical seals

- Chemical seal CSS plus side, CSB both sides -40 ... +400 °C (-40 ... +752 °F)

**Process temperature limits according to the seal material**

Seal material	Version	Temperature limits
FKM	Standard	-20 ... +85 °C (-4 ... +185 °F)
	Cleaned	-10 ... +85 °C (+14 ... +185 °F)
	For oxygen application	-10 ... +60 °C (-4 ... +140 °F)
FFKM (Kalrez 6375)		-5 ... +85 °C (23 ... +185 °F)
EPDM		-40 ... +85 °C (-40 ... +185 °F)
PTFE	Standard	-40 ... +85 °C (-40 ... +185 °F)
	For oxygen application	-20 ... +60 °C (-4 ... +140 °F)
NBR		-20 ... +85 °C (-4 ... +185 °F)
Copper	Standard	-40 ... +85 °C (-40 ... +185 °F)
	For oxygen application	-20 ... +60 °C (-4 ... +140 °F)
PTFE, for oxygen application		-20 ... +60 °C (-4 ... +140 °F)

**Process pressure limits according to measuring range<sup>18)</sup>**

<sup>17)</sup> For the version for oxygen application, note chapter "Oxygen applications".

<sup>18)</sup> Reference temperature +20 °C (+68 °F)

Nominal range	Nominal pressure	Overload one-sided	Overload two-sided	Min. system pressure
10 mbar (1 kPa)	160 bar (16000 kPa)	160 bar (16000 kPa)	240 bar (24000 kPa)	0.1 mbar <sub>abs</sub> (10 Pa <sub>abs</sub> )
30 mbar (3 kPa)	160 bar (16000 kPa)	160 bar (16000 kPa)	240 bar (24000 kPa)	
100 mbar (10 kPa)	160 bar (16000 kPa)	160 bar (16000 kPa)	240 bar (24000 kPa)	
500 mbar (50 kPa)	160 bar (16000 kPa) 420 bar (42000 kPa)	160 bar (16000 kPa) 420 bar (42000 kPa)	240 bar (24000 kPa) 630 bar (63000 kPa)	
3 bar (300 kPa)	160 bar (16000 kPa) 420 bar (42000 kPa)	160 bar (16000 kPa) 420 bar (42000 kPa)	240 bar (24000 kPa) 630 bar (63000 kPa)	
16 bar (1600 kPa)	160 bar (16000 kPa) 420 bar (42000 kPa)	160 bar (16000 kPa) 420 bar (42000 kPa)	240 bar (24000 kPa) 630 bar (63000 kPa)	
40 bar (4000 kPa)	160 bar (16000 kPa) 420 bar (42000 kPa)	160 bar (16000 kPa) 420 bar (42000 kPa)	240 bar (24000 kPa) 630 bar (63000 kPa)	

### Process pressure limits according to the seal material<sup>19)</sup>

Seal material	Nominal pressure	Overload one-sided	Overload two-sided	Min. system pressure
FFKM (Kalrez 6375)	100 bar (10000 kPa)	100 bar (10000 kPa)	150 bar (15000 kPa)	0.1 mbar <sub>abs</sub> (10 Pa <sub>abs</sub> )
FFKM (Kalrez 6375)	160 bar (16000 kPa)	160 bar (16000 kPa)	240 bar (24000 kPa)	

Vibration resistance (mechanical vibrations with 5 ... 100 Hz), depending on the version as well as the material and series of the electronics housing<sup>20)</sup>

- Plastic single and double chamber housing, Aluminium single chamber housing 4 g
- Aluminium double chamber housing, stainless steels single chamber housing 1 g
- Stainless steel double chamber housing < 1 g

Shock resistance Acceleration 100 g/6 ms<sup>21)</sup>

### Electromechanical data - version IP66/IP67

Cable entry/plug<sup>22)</sup>

- Single chamber housing
  - 1 x cable gland M20 x 1.5 (cable: ø 5 ... 9 mm), 1 x blind plug M20 x 1.5
  - or:
  - 1 x closing cap ½ NPT, 1 x blind plug ½ NPT
  - or:
  - 1 x plug (depending on the version), 1 x blind stopper M20 x 1.5

<sup>19)</sup> Reference temperature +20 °C (+68 °F)

<sup>20)</sup> Tested according to the guidelines of German Lloyd, GL directive 2.

<sup>21)</sup> Tested according to EN 60068-2-27.

<sup>22)</sup> Depending on the version M12 x 1, according to ISO 4400, Harting, 7/8" FF.

- Double chamber housing
    - 1 x cable entry M20 x 1.5 (cable:  $\varnothing$  5 ... 9 mm), 1 x blind plug M20 x 1.5; plug M12 x 1 for the external display and adjustment unit (optional)
    - or:
    - 1 x closing cap  $\frac{1}{2}$  NPT, 1 x blind plug  $\frac{1}{2}$  NPT, plug M12 x 1 for the external display and adjustment unit (optional)
    - or:
    - 1 x plug (depending on the version), 1 x blind plug M20 x 1.5; plug M12 x 1 for the external display and adjustment unit (optional)
- Spring-loaded terminals for wire cross-section up to 2.5 mm<sup>2</sup> (AWG 14)

---

### Display and adjustment module

---

Voltage supply and data transmission	through the sensor
Indication	LC display in dot matrix
Adjustment elements	4 keys
Protection rating	
- unassembled	IP20
- Mounted into the sensor without cover	IP40
Ambient temperature - Display and adjustment module	-20 ... +70 °C (-4 ... +158 °F)
Material	
- Housing	ABS
- Inspection window	Polyester foil

---

### Voltage supply

---

Operating voltage	
- Non-Ex instrument	12 ... 36 V DC
- Ex-ia instrument	12 ... 30 V DC
- Ex-d-ia instrument	15 ... 35 V DC
Operating voltage with illuminated display and adjustment module	
- Non-Ex instrument	20 ... 36 V DC
- Ex-ia instrument	20 ... 30 V DC
- Ex-d-ia instrument	No lighting possible (integrated ia barrier)
Permissible residual ripple	
- < 100 Hz	$U_{ss} < 1 \text{ V}$
- 100 Hz ... 10 kHz	$U_{ss} < 10 \text{ mV}$
Load resistor	
- Calculation	$(U_B - U_{min})/0.022 \text{ A}$
- Example - Non-Ex instrument with $U_B = 24 \text{ V DC}$	$(24 \text{ V} - 12 \text{ V})/0.022 \text{ A} = 545 \Omega$

## Electrical protective measures

### Protection rating

– Housing, standard IP66/IP67

### Overvoltage category

For voltage supply via separator through networks of overvoltage category III

### Protection class

II

## Approvals

Depending on the version, instruments with approvals can have different technical data. For these instruments, please note the corresponding approval documents. They are included in the scope of delivery.

## 11.2 Dimensions, versions process component

### Plastic housing

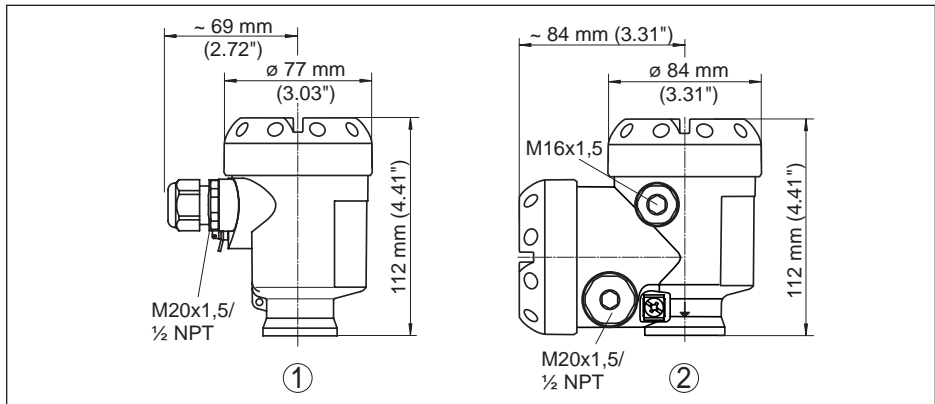


Fig. 50: Housing versions with protection rating IP66/IP68 (0.2 bar) - with integrated display and adjustment module the housing is 9 mm/0.35 in higher

- 1 Plastic single chamber
- 2 Plastic double chamber

### Aluminium housing

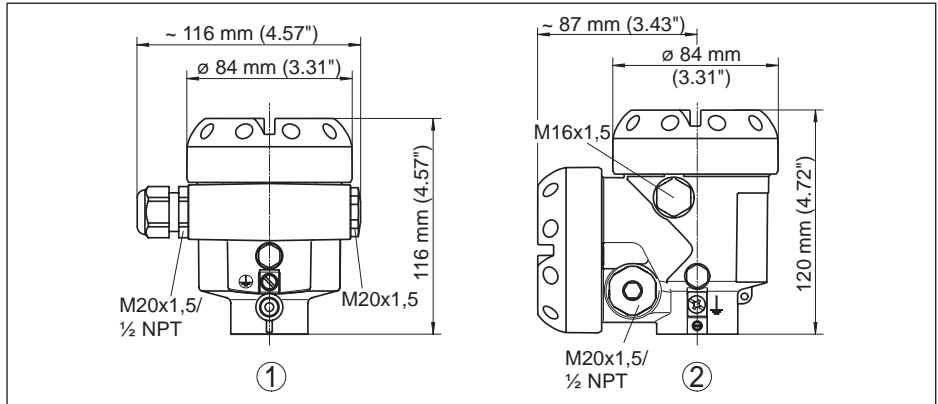


Fig. 51: Housing versions with protection rating IP66/IP68 (0.2 bar) - with integrated display and adjustment module the housing is 9 mm/0.35 in higher

- 1 Aluminium - single chamber
- 2 Aluminium - double chamber

### Aluminium housing with protection rating IP66/IP68 (1 bar)

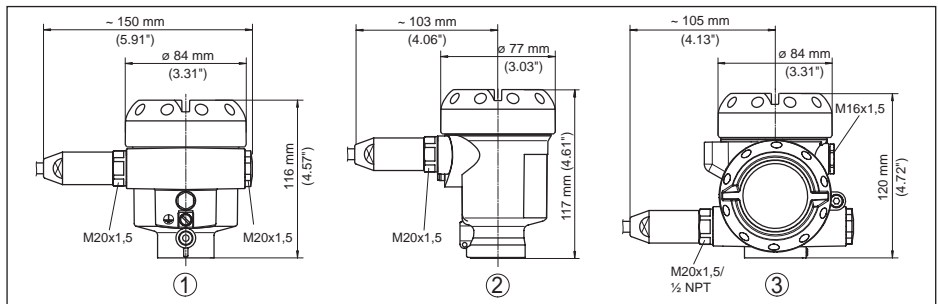


Fig. 52: Housing version with protection rating IP66/IP68 (1 bar) - with integrated display and adjustment module the housing is 9 mm/0.35 in higher

- 1 Aluminium - single chamber
- 2 Aluminium - double chamber

**Stainless steel housing**

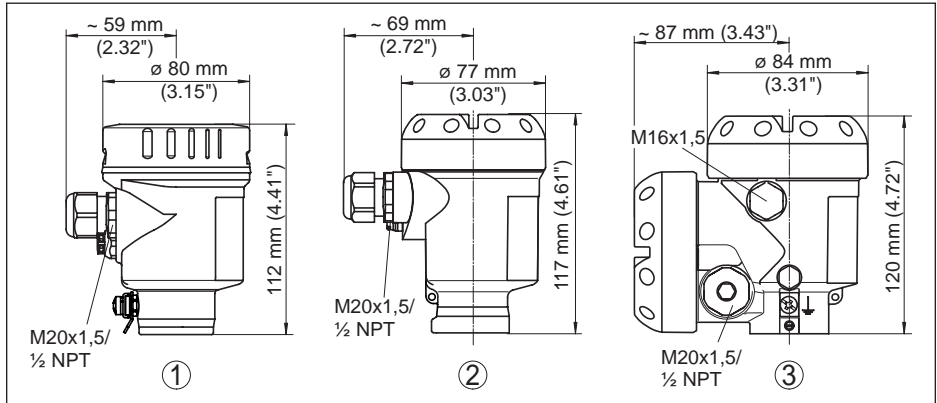


Fig. 53: Housing versions with protection rating IP66/IP68 (0.2 bar) - with integrated display and adjustment module the housing is 9 mm/0.35 in higher

- 1 Stainless steel single chamber (electropolished)
- 2 Stainless steel single chamber (precision casting)
- 3 Stainless steel double chamber housing (precision casting)

**Oval flange, connection ¼-18 NPT or RC ¼**

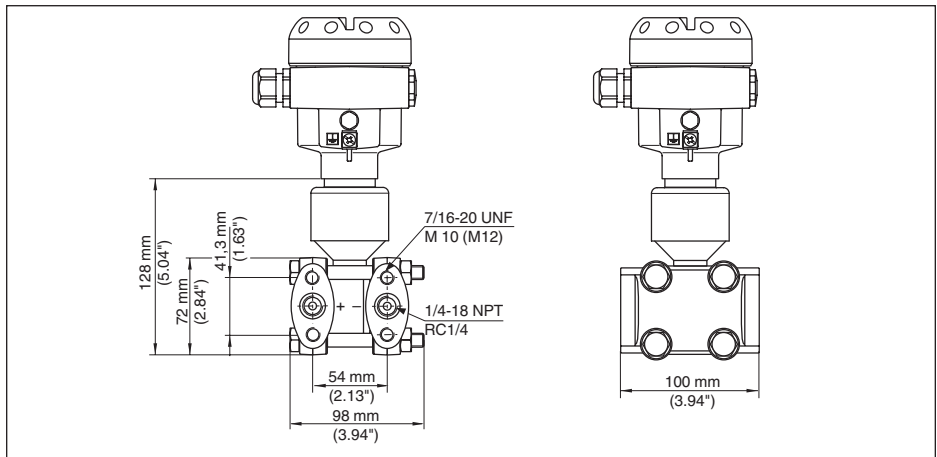


Fig. 54: DPT-10, connection ¼-18 NPT or RC ¼

Version	Connection	Fastening	Material	Scope of delivery
B	¼-18 NPT IEC 61518	7/16-20 UNF	Steel C 22.8 (1.0460)	incl. 2 vent valves (316L)
D	¼-18 NPT IEC 61518	7/16-20 UNF	AISI 316L (1.4435 or 1.4404)	incl. 2 vent valves (316L)
F	¼-18 NPT IEC 61518	7/16-20 UNF	Alloy C276 (2.4819)	without valves/closing screws



Version	Connection	Fastening	Material	Scope of delivery
U	RC 1/4	7/16-20 UNF	AISI 316L (1.4435 or 1.4404)	incl. 2 vent valves (316L)
1	1/4-18 NPT IEC 61518	PN 160: M10, PN 420: M12	Steel C 22.8 (1.0460)	incl. 2 vent valves (316L)
2	1/4-18 NPT IEC 61518	PN 160: M10, PN 420: M12	AISI 316L (1.4435 or 1.4404)	incl. 2 vent valves (316L)
3	1/4-18 NPT IEC 61518	PN 160: M10, PN 420: M12	Alloy C276 (2.4819)	without valves/closing screws

The oval flanges of steel C 22.8 (1.0460) are zinc-coated. For applications with water we recommend oval flanges of 316L.

**Oval flange, connection 1/4-18 NPT or RC 1/4, with lateral ventilation**

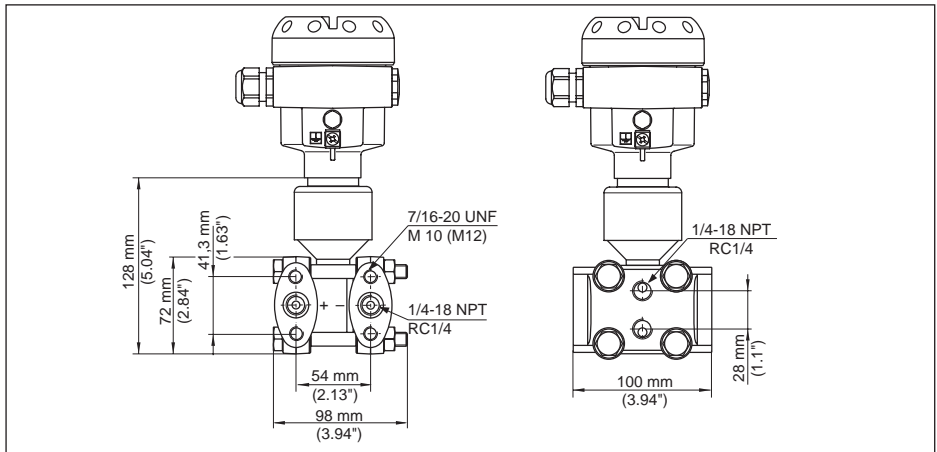


Fig. 55: DPT-10, connection 1/4-18 NPT or RC 1/4, with lateral ventilation

Version	Connection	Fastening	Material	Scope of delivery
C	1/4-18 NPT IEC 61518	7/16-20 UNF	Steel C 22.8 (1.0460)	incl. 4 closing screws (AISI 316L) and 2 ventilation valves
E	1/4-18 NPT IEC 61518	7/16-20 UNF	AISI 316L (1.4435 or 1.4404)	incl. 4 closing screws (AISI 316L) and 2 ventilation valves
H	1/4-18 NPT IEC 61518	7/16-20 UNF	Alloy C276 (2.4819)	without valves/closing screws
V	RC 1/4	7/16-20 UNF	AISI 316L	incl. 4 closing screws (AISI 316L) and 2 ventilation valves

The oval flanges of steel C 22.8 (1.0460) are zinc-coated. For applications with water we recommend oval flanges of 316L.

## Oval flange, prepared for chemical seal connection

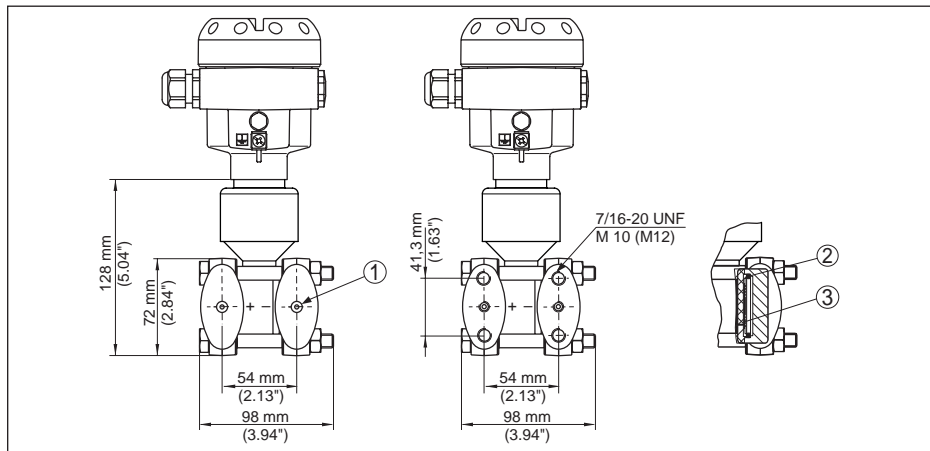


Fig. 56: left: Process fitting DPT-10 prepared for chemical seal assembly. right: Position of the copper ring seal

- 1 Chemical seal connection
- 2 Copper ring seal
- 3 Cup diaphragm

### **11.3 Trademark**

All the brands as well as trade and company names used are property of their lawful proprietor/originator.

## INDEX

**A**

Adjustment

- System 40
- Unit 41
- with density 44, 45
- with differential pressure 43
- with flow 45, 46
- with level 44

Adjustment system 40

Application area

- Density measurement 9
- Differential pressure measurement 9
- Flow measurement 8
- Interface measurement 10
- Level measurement 9

**C**

Copy sensor data 53

Current output 50

**D**

Density measurement 25

Differential pressure measurement

- In gases and vapours 27
- In liquids 28
- In vapour and condensate plants 27

DP flow element 13

**E**

Effective pressure lines 14

Electronics and connection compartment 33

Electronics compartment, double chamber housing 35

Error messages 66

**F**

Fault rectification 65

Flow measurement

- In gases 18
- In liquids 20
- In vapours 19

Functional principle 10

**G**

Grounding 31

**H**

HART mode 53

**I**

Interface measurement 26

**L**

Language 53

Leak flow volume suppression 47

Level measurement

- In the closed vessel 22, 23, 24
- In the open vessel 21, 22

Linearisation curve

- with flow 47
- with level 46

**M**

Maintenance 65

Mounting arrangement 15

**O**

Oxygen applications 14

**P**

PIN 54

Position correction 42

Process conditions 13

**R**

Reset 52

**S**

Setup 60, 61, 62, 63

**T**

Totalizer 49

Tube mounting 15

Type label 7

**V**

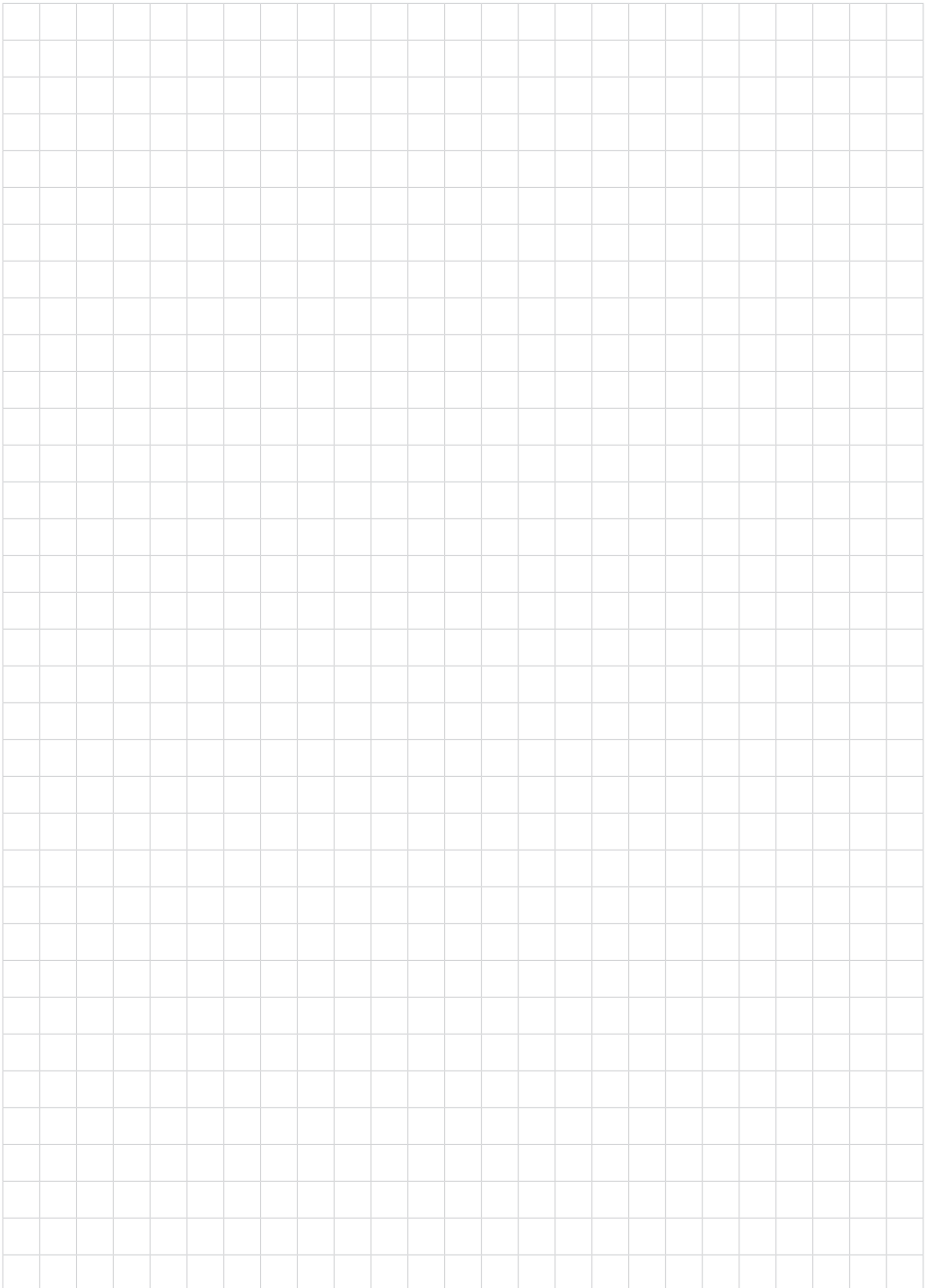
Valve blocks

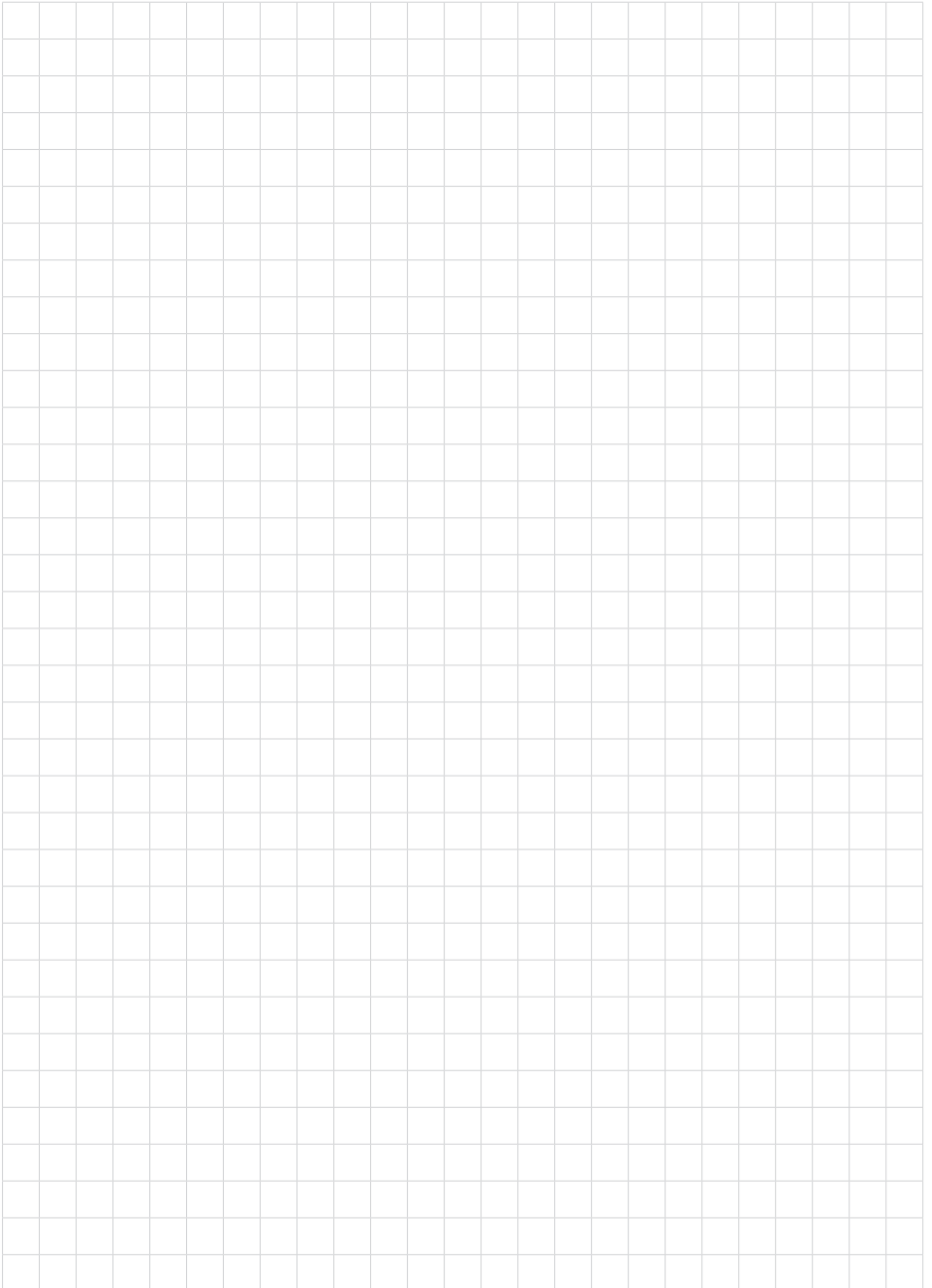
- 3-fold valve block 16, 17
- 3-fold valve block, flanging on both sides 17
- Introduction 15

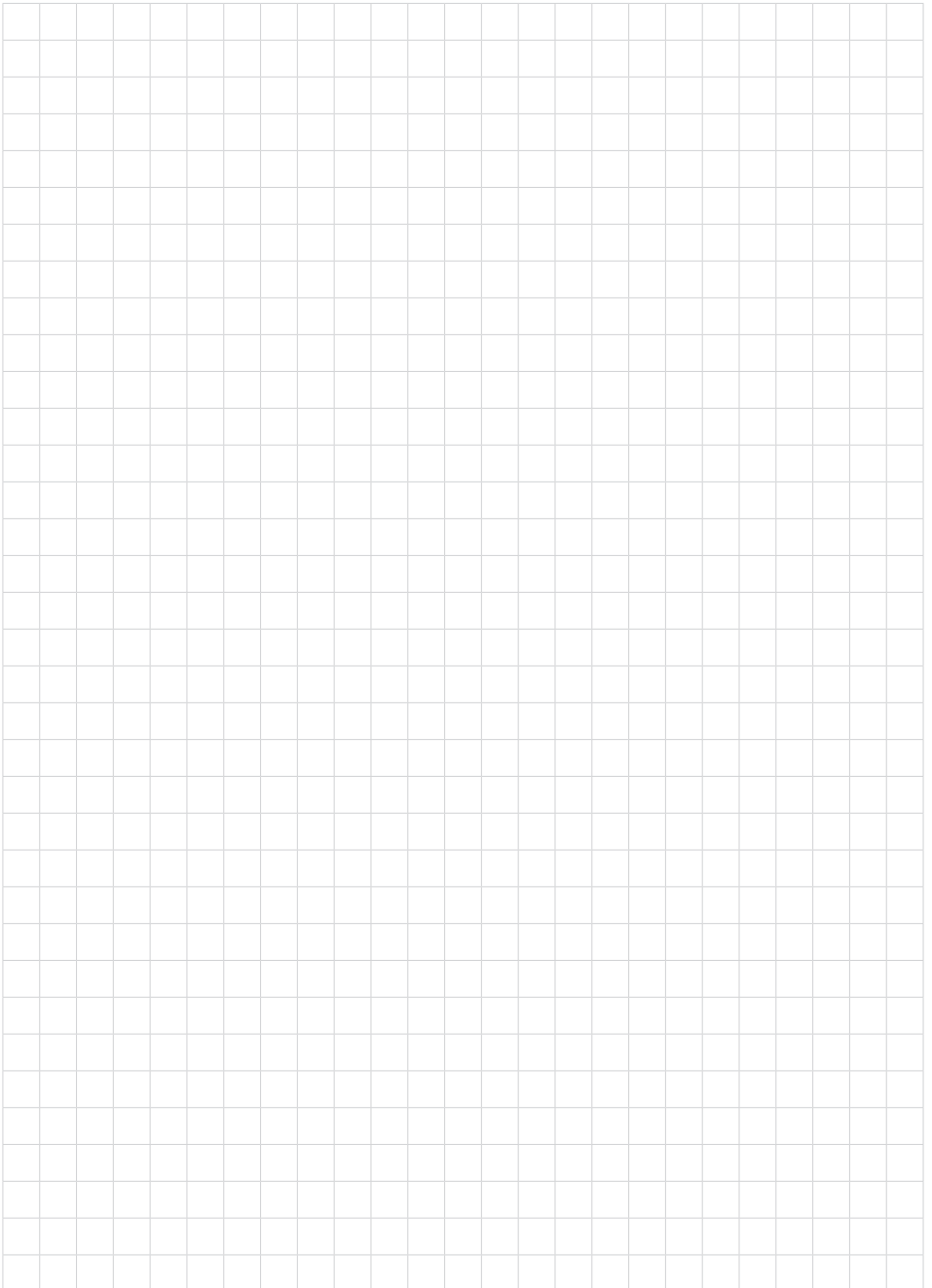
**W**

Wiring plan

- Double chamber housing 35
- Single chamber housing 33







Printing date:

All statements concerning scope of delivery, application, practical use and operating conditions of the sensors and processing systems correspond to the information available at the time of printing.



**WIKAI Alexander Wiegand SE & Co. KG**  
Alexander-Wiegand-Straße 30  
63911 Klingenberg  
Germany  
Phone (+49) 9372/132-0  
Fax (+49) 9372 132-406  
E-mail: [info@wika.de](mailto:info@wika.de)  
[www.wika.de](http://www.wika.de)

37244-EN-200124