

Longlife Digital Thermometer Model TF-LCD

WIKA Data Sheet TE 85.01

Application

- Refrigeration Industry
- Heating, ventilation, air-conditioning
- Mechanical engineering

Special Features

- Resistant to moisture ingress
- Extremely long life span



Longlife Digital Thermometer Typ TF-LCD Solar

Description

Power supply

Solar or battery

Protection class

IP 68

Accuracy class

±1 K

Scale ranges

-39,9 °C to +49,9 °C

0,0 °C to +80,0 °C

0 °C to 120 °C

Operating temperatures

Case: -30 °C to +60 °C

Capillary and sensor: -50 °C to +60 °C

Display resolution

-39,9 °C to +49,9 °C: 0,1°C

0,0 °C to +80,0 °C: 0,1°C

0 °C to 120 °C: 1°C

Digit size

12 mm

Numbering

Digital display, negative temperatures with minus

Digit colour

Black

Ground colour of display

Silver-grey

Capillary

Plastic (PE)

Capillary length

Max. 10 m

Capillary outlet

Back

Minimum illuminance (LCD Solar)

Cold light: >140 Lux
Daylight: > 80 Lux

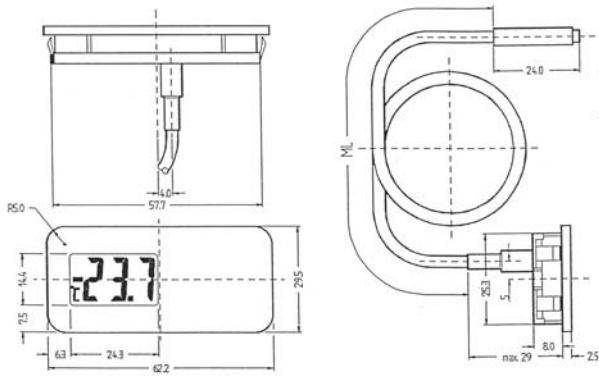
Optional extras

- Capillary with jack plug
- Without Capillary
- Other scale ranges

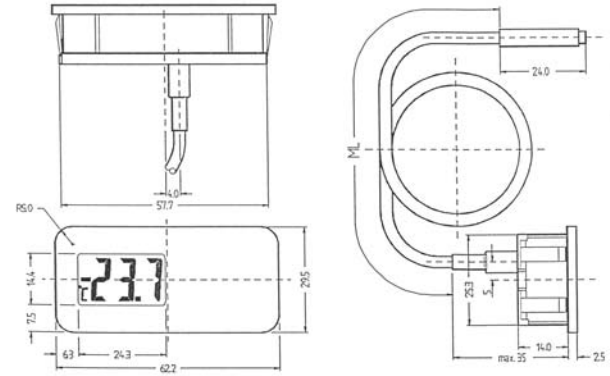
Dimensions in mm

Standard version

TF-LCD Solar



TF-LCD Battery



Ordering information

Model / Scale range / Length of capillary / Optional extras required

Specifications and dimensions given in this leaflet represent the state of engineering at the time of printing. Modifications may take place and materials specified may be replaced by others without prior notice.

