

Cable resistance thermometer For shipbuilding industry Model TR197, for penetration

WIKA data sheet TE 69.15



Applications

- Storage temperature monitoring of food on reefer vessels or delivery trucks
- For soft storage goods
- Mobile control measurements

Special features

- Portable
- Short response times
- Ingress protection IP 67
- Neoprene cable
- Approval Lloyd's Register



Cable resistance thermometer, model TR197

Description

Resistance thermometer for measuring the temperature of soft goods, such as fruits or other food. The standard temperature range is $-40 \dots +70 \text{ }^{\circ}\text{C}$. The probe tip is angled.

The thermometer is extremely robust due to the neoprene cable and the stainless steel measuring tip.

Sensor

The sensor is located in the probe tip.

Sensor connection method

- 2-wire The lead resistance is recorded as an error in the measurement.
- 3-wire With a cable length of approx. 30 m or longer, measuring errors can occur.
- 4-wire The internal lead resistance of the connecting wires is negligible.

Sensor tolerance value per DIN EN 60751

- Class B
- Class A (not with 2-wire connection)
- Class AA (not with 2-wire connection)

The combinations of a 2-wire connection with class A or class AA are not permissible, since the lead resistance of the measuring insert negates the higher sensor accuracy.

For detailed information on Pt100 sensors, see Technical information IN 00.17 at www.wika.com.

Probe

Design

Rigid tube, angled tip

Diameter

6 mm
others on request

Length

70 mm
others on request

Material

Stainless steel 1.4571

Ingress protection

IP 67

Cable

Insulation

Neoprene

Permissible ambient temperature

-80 ... +65 °C

Wire material

Cu (strands)

Wire cross-section

1.5 mm²

Number of wires

According to the number of sensors and the sensor connection method

Wire ends

Blank

Cable length

To customer specification

Connection box, mounted to cable (option)

Material

Aluminium, epoxy coated

Cover

Detachable, 2 mounting screws, EPDM flat gasket

Cable glands

PG 16

Ingress protection

IP 67

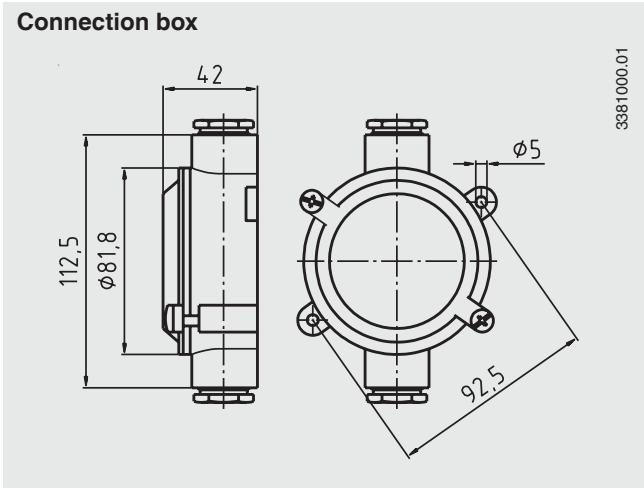
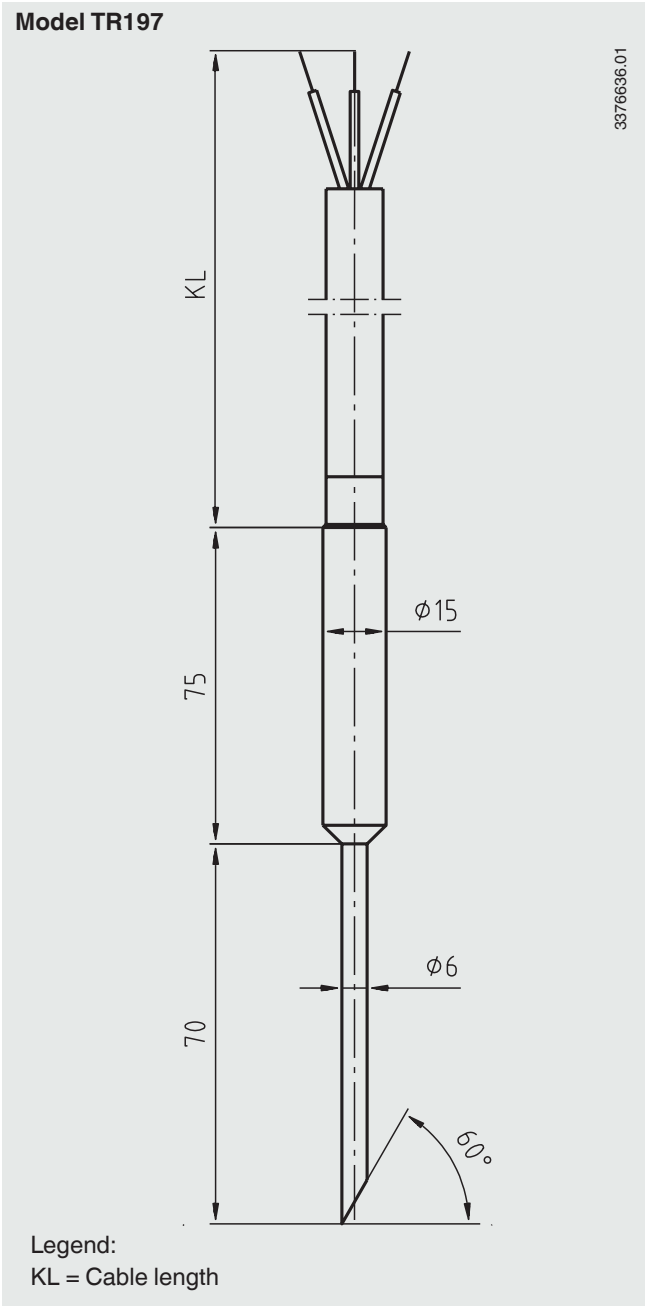
Terminal block

Ceramic, max. 1.5 mm², screws captive

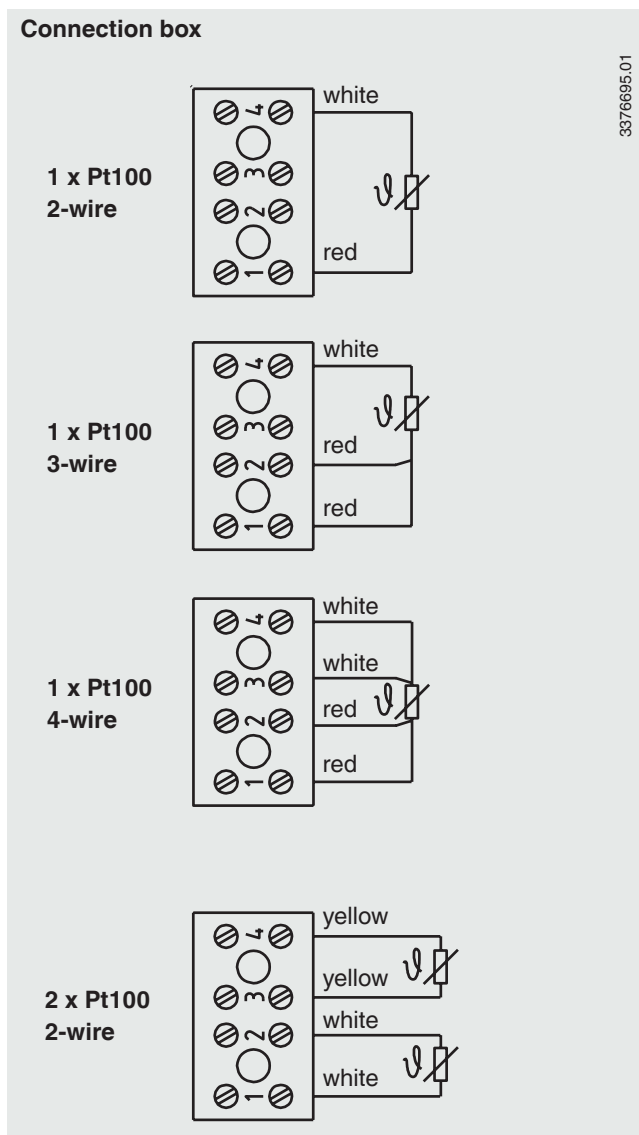
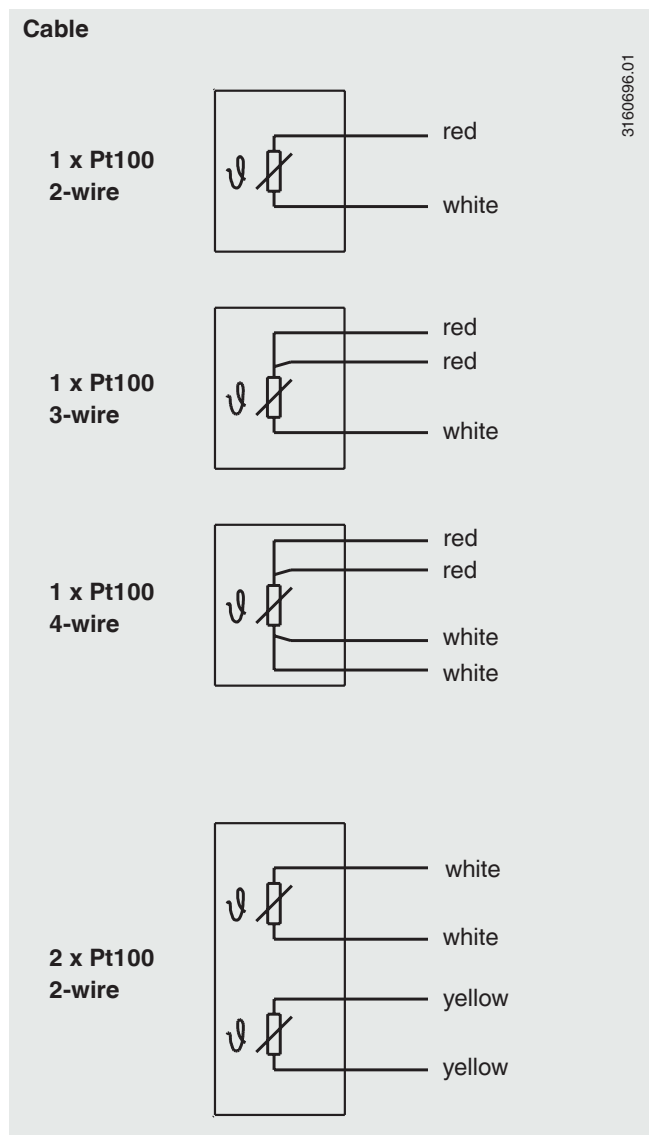
Ground terminal

Present

Dimensions in mm



Electrical connection



Ordering information

Model / Sensor type and number of sensors / Sensor connection method / Tolerance value / Probe diameter, length / Cable length KL / Connection box / Options

© 2003 WIKA Alexander Wiegand SE & Co. KG, all rights reserved.
The specifications given in this document represent the state of engineering at the time of publishing.
We reserve the right to make modifications to the specifications and materials.

