

Test gauge, stainless steel

Safety version, class 0.6, NS 160 [6"]

Models 332.30, 333.30

WIKA data sheet PM 03.05



For further approvals,
see page 6

Applications

- For gaseous and liquid aggressive media that are not highly viscous or crystallising, also in aggressive environments
- Precision measurement in laboratories
- High-accuracy pressure measurement, testing of industrial type pressure gauges
- Increased safety requirements for personal protection
- With liquid-filled case (model 333.30) for applications with high dynamic pressure loads or vibrations

Special features

- Safety version with solid baffle wall (Solidfront) designed in compliance with the requirements of EN 837-1 and ASME B40.100
- Completely from stainless steel
- Knife edge pointer for optimal accuracy of reading
- Wear-resistant precision movement from stainless steel
- QR code on dial links to instrument-specific information



Test gauge, unfilled, model 332.30

Description

The model 33x.30 high-quality test gauge has been specifically designed for increased safety requirements during high-accuracy pressure measurements and is suited for calibration tasks. With an accuracy class of 0.6, the Bourdon tube pressure gauge is suitable for testing industrial type pressure gauges or for precision measurement in laboratories. For pressures ≤ 400 bar [6.000 psi] the instrument is also available with an accuracy class of 0.25.

The wear-resistant precision movement, the wetted parts and the case are made from high-grade stainless steel. WIKA manufactures and qualifies the pressure gauge in accordance with the standards EN 837-1 and ASME B40.100. This safety version is made up of a non-splintering window, a solid baffle wall between measuring system and dial and a blow-out back. In the event of a failure, the operator is

protected at the front side, as media or components can only be ejected via the back of the case. For harsh operating conditions (e.g. vibrations), all instruments are also available with a liquid filling.

The optimal readability of the instrument, with a nominal size of 160 mm [6"], is achieved via a knife edge pointer and a dial with fine divisions. In addition, a mirror band scale can be chosen to avoid the parallax error.

On request, a calibration certificate will be provided for this instrument.

The QR code on the dial allows instrument-specific information such as the serial number, the order number, certificates and other product data to be retrieved from the internet easily and in the long term.

Specifications

Basic information	
Standard	<ul style="list-style-type: none"> ■ EN 837-1 ■ ASME B40.100 <p>→ For information on the “Selection, installation, handling and operation of pressure gauges”, see technical information IN 00.05</p>
Further version	<ul style="list-style-type: none"> ■ Oil- and grease-free ■ For oxygen, oil- and grease-free ■ Silicone-free
Nominal size (NS)	Ø 160 mm [6"]
Connection location	Lower mount
Window	Laminated safety glass
Case	
Design	Safety level “S3” per EN 837: With solid baffle wall (Solidfront) and blow-out back
Material	Stainless steel
Ring	<ul style="list-style-type: none"> ■ Bayonet bezel, stainless steel ■ Bayonet bezel, polished stainless steel
Mounting	<ul style="list-style-type: none"> ■ Without ■ Surface mounting lugs on the back, stainless steel ■ Panel mounting flange, stainless steel ■ Panel mounting flange, polished stainless steel <p>→ For information on “Mounting types, mounting flanges, panel cutouts”, see technical information IN 00.04</p>
Case filling	<ul style="list-style-type: none"> ■ Without ■ Glycerine ■ Glycerine-water mixture with scale range $\leq 0 \dots 2.5$ bar [$\leq 0 \dots 40$ psi] ■ Silicone oil
Movement	Stainless steel
Adjustment medium	<ul style="list-style-type: none"> ■ Liquid for scale ranges > 25 bar [400 psi]; gas for scale ranges ≤ 25 bar [400 psi] ■ Gas for all scale ranges

Measuring element	
Type of measuring element	Bourdon tube, C-type or helical type
Material	
< 1,000 bar [15,000 psi]	Stainless steel 1.4404 (316L)
$\geq 1,000$ bar [15,000 psi]	NiFe alloy
Leak tightness	<ul style="list-style-type: none"> ■ Leakage rate: $< 1 \cdot 10^{-3}$ mbar l/s ■ Helium tested, leakage rate: $< 1 \cdot 10^{-6}$ mbar l/s

Accuracy specifications	
Accuracy class	
EN 837-1	<ul style="list-style-type: none"> ■ Class 0.6 ■ Class 0.25 (selectable for scale ranges ≤ 400 bar [6,000 psi])
ASME B40.100	<ul style="list-style-type: none"> ■ ± 0.5 % of measuring span (grade A) ■ ± 0.25 % of measuring span (grade 3A) (selectable for scale ranges ≤ 400 bar [6,000 psi])
Temperature error	On deviation from the reference conditions at the measuring system: $\leq \pm 0.4$ % per 10 °C [$\leq \pm 0.4$ % per 18 °F] of full scale value
Reference conditions	
Ambient temperature	+20 °C [+68 °F]

Scale ranges

bar	
0 ... 0.6	0 ... 60
0 ... 1	0 ... 70
0 ... 1.6	0 ... 100
0 ... 2.5	0 ... 140
0 ... 4	0 ... 160
0 ... 6	0 ... 200
0 ... 7	0 ... 250
0 ... 10	0 ... 315
0 ... 14	0 ... 400
0 ... 16	0 ... 600
0 ... 20	0 ... 700
0 ... 25	0 ... 1,000
0 ... 30	0 ... 1,400
0 ... 40	0 ... 1,600

kPa	
0 ... 60	0 ... 3,000
0 ... 70	0 ... 4,000
0 ... 100	0 ... 6,000
0 ... 160	0 ... 7,000
0 ... 200	0 ... 10,000
0 ... 250	0 ... 14,000
0 ... 300	0 ... 16,000
0 ... 400	0 ... 20,000
0 ... 600	0 ... 25,000
0 ... 700	0 ... 31,500
0 ... 1,000	0 ... 40,000
0 ... 1,400	0 ... 60,000
0 ... 1,600	0 ... 70,000
0 ... 2,500	0 ... 100,000

kg/cm ²	
0 ... 0.6	0 ... 60
0 ... 1	0 ... 70
0 ... 1.6	0 ... 100
0 ... 2.5	0 ... 140
0 ... 4	0 ... 160
0 ... 6	0 ... 200
0 ... 7	0 ... 250
0 ... 10	0 ... 315
0 ... 14	0 ... 400
0 ... 16	0 ... 600
0 ... 20	0 ... 700
0 ... 25	0 ... 1,000
0 ... 30	0 ... 1,400
0 ... 40	0 ... 1,600

psi	
0 ... 10	0 ... 800
0 ... 15	0 ... 1,000
0 ... 30	0 ... 1,500
0 ... 60	0 ... 2,000
0 ... 100	0 ... 3,000
0 ... 150	0 ... 4,000
0 ... 160	0 ... 5,000
0 ... 200	0 ... 6,000
0 ... 250	0 ... 7,500
0 ... 300	0 ... 10,000
0 ... 400	0 ... 15,000
0 ... 600	0 ... 20,000

MPa	
0 ... 0.06	0 ... 4
0 ... 0.1	0 ... 6
0 ... 0.16	0 ... 10
0 ... 0.20	0 ... 14
0 ... 0.25	0 ... 16
0 ... 0.4	0 ... 20
0 ... 0.6	0 ... 25
0 ... 0.7	0 ... 31.5
0 ... 1	0 ... 40
0 ... 1.4	0 ... 60
0 ... 1.6	0 ... 70
0 ... 2	0 ... 100
0 ... 2.5	0 ... 140
0 ... 3	0 ... 160

Vacuum and +/- scale ranges

bar	
-0.6 ... 0	-1 ... +7
-1 ... 0	-1 ... +9
-1 ... +0.6	-1 ... +10
-1 ... +1	-1 ... +15
-1 ... +1.5	-1 ... +24
-1 ... +2	-1 ... +15
-1 ... +3	-1 ... +30
-1 ... +5	-

kPa	
-60 ... 0	-100 ... +700
-100 ... 0	-100 ... +900
-100 ... +60	-100 ... +1,000
-100 ... +150	-100 ... +1,500
-100 ... +200	-100 ... +1,500
-100 ... +300	-100 ... +2,400
-100 ... +400	-100 ... +3,000
-100 ... +500	-

kg/cm ²	
-0.6 ... 0	-1 ... +7
-1 ... 0	-1 ... +9
-1 ... +0.6	-1 ... +10
-1 ... +1	-1 ... +15
-1 ... +1.5	-1 ... +24
-1 ... +2	-1 ... +15
-1 ... +3	-1 ... +30
-1 ... +5	-

psi	
-15 inHg ... 0	-30 inHg ... +100
-30 inHg ... 0	-30 inHg ... +160
-30 inHg ... +15	-30 inHg ... +200
-30 inHg ... +30	-30 inHg ... +300
-30 inHg ... +60	-

MPa	
-0.06 ... 0	-0.1 ... +0.5
-0.1 ... 0	-0.1 ... +0.7
-0.1 ... +0.06	-0.1 ... +0.9
-0.1 ... +0.1	-0.1 ... +1
-0.1 ... +0.15	-0.1 ... +1.5
-0.1 ... +0.2	-0.1 ... +2.4
-0.1 ... +0.3	-0.1 ... +3
-0.1 ... +0.4	-

Further details on: Scale ranges

Special scale ranges	→ Other scale ranges on request
Unit	<ul style="list-style-type: none"> ■ bar ■ psi ■ kg/cm² ■ kPa ■ MPa
Increased overload safety	<ul style="list-style-type: none"> ■ Without ■ 1.3 times <p>The possibility of selection depends on the scale range</p>
Vacuum resistance	Vacuum-resistant to -1 bar [-30 inHg]
Dial	
Scale colour	Black
Material	Aluminium
Special scale	→ Other scales or customer-specific dials, e.g. with red mark, circular arcs or circular sectors, on request

Further details on: Scale ranges	
Pointer	
Instrument pointer	Knife edge pointer, aluminium, black
Mark pointer/drag pointer	<ul style="list-style-type: none"> ■ Without ■ Red mark pointer on dial, fixed ■ Red mark pointer on window, adjustable ■ Red drag pointer on window, adjustable
Pointer stop pin	<ul style="list-style-type: none"> ■ Without ■ At 6 o'clock



Process connection		
Standard	<ul style="list-style-type: none"> ■ EN 837-1 ■ ISO 7 ■ ANSI/B1.20.1 	
Size		
EN 837-1	<ul style="list-style-type: none"> ■ G ¼ B, male thread ■ G ½ B, male thread ■ M20 x 1.5, male thread 	
ISO 7	<ul style="list-style-type: none"> ■ R ¼, male thread ■ R ½, male thread 	
ANSI/B1.20.1	<ul style="list-style-type: none"> ■ ¼ NPT, male thread ■ ½ NPT, male thread 	
Restrictor	<ul style="list-style-type: none"> ■ Without ■ Ø 0.6 mm [0.024"], stainless steel ■ Ø 0.3 mm [0.012"], stainless steel 	
Material (wetted)		
Measuring element	< 1,000 bar [15,000 psi]	Stainless steel 1.4404 (316L)
	≥ 1,000 bar [15,000 psi]	NiFe alloy
Process connection	Stainless steel 1.4404 (316L)	

→ Other process connections on request



Operating conditions	
Medium temperature	<ul style="list-style-type: none"> ■ ≤ +100 °C [+212 °F] ■ ≤ +200 °C [+392 °F]
Ambient temperature	<ul style="list-style-type: none"> ■ -20 ... +60 °C [-4 ... +140 °F] ■ -40 ... +60 °C [-40 ... +140 °F]
Pressure limitation	
Steady	Full scale value
Fluctuating	0.9 x full scale value
Short time	1.3 x full scale value
Ingress protection per IEC/EN 60529	IP65

Packaging	
Packaging	<ul style="list-style-type: none"> ■ Packaging with increased shock resistance ■ Plastic bag ■ Transport case

Approvals

Logo	Description	Country
	EU declaration of conformity	European Union
	Pressure Equipment Directive PS > 200 bar, module A, pressure accessory	
	UKCA	United Kingdom
	Pressure equipment (safety) regulations	
-	CRN	Canada
	Safety (e.g. electr. safety, overpressure, ...) For scale ranges ≤ 1,000 bar	

Optional approvals

Logo	Description	Country
	PAC Kazakhstan Metrology, measurement technology	Kazakhstan
-	MChS Permission for commissioning	Kazakhstan
-	PAC Ukraine Metrology, measurement technology	Ukraine
	PAC Uzbekistan Metrology, measurement technology	Uzbekistan
-	PAC China Metrology, measurement technology	China

Manufacturer's information and certificates

Logo	Description
-	Pressure Equipment Directive (PED) for maximum allowable pressure PS ≤ 200 bar
-	Suitability of wetted materials for drinking water in accordance with the European 4MS initiative

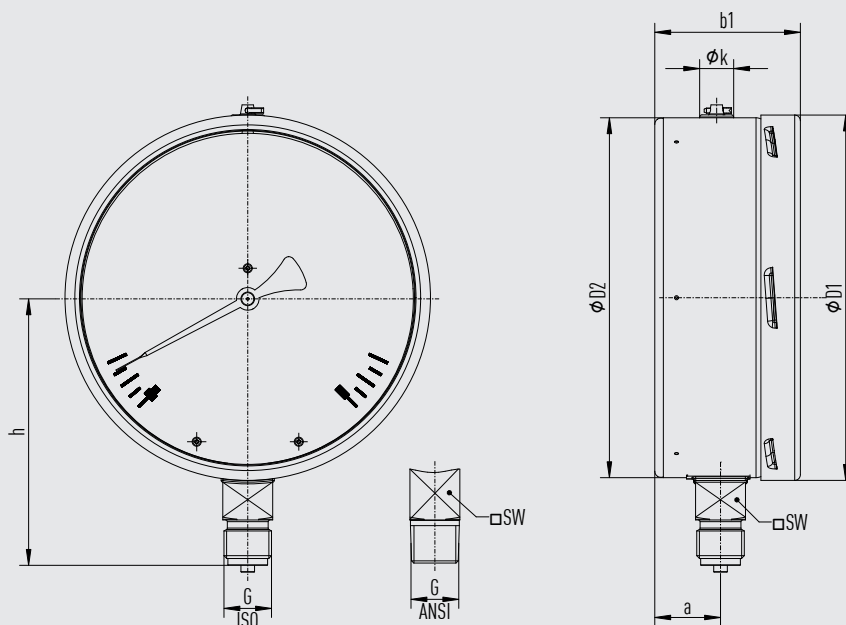
Certificates (option)

Certificates	
Certificates	<ul style="list-style-type: none"> ■ 2.2 test report per EN 10204 (e.g. state-of-the-art manufacturing, indication accuracy) ■ 3.1 inspection certificate per EN 10204 (e.g. material proof for wetted metal parts, indication accuracy) ■ PCA calibration certificate (traceable and accredited in accordance with ISO/IEC 17025) ■ Calibration certificate by a national accreditation body (traceable and accredited in accordance with ISO/IEC 17025) on request
Recommended calibration interval	1 year (dependent on conditions of use)

→ For approvals and certificates, see website

Dimensions in mm [in]

Lower mount



14637004.01

G	Dimensions in mm [in]					
	h ±1 [0.04]	j	k	D1	D2	SW
G ¼ B	110.5 [4.35]	27 [1.06]	15 [0.59]	161 [6.34]	159 [6.25]	22 [0.87]
G ½ B	117.5 [4.63]	27 [1.06]	15 [0.59]	161 [6.34]	159 [6.25]	22 [0.87]
M20 x 1.5	117.5 [4.63]	27 [1.06]	15 [0.59]	161 [6.34]	159 [6.25]	22 [0.87]
¼ NPT, R ¼	110.5 [4.35]	27 [1.06]	15 [0.59]	161 [6.34]	159 [6.25]	22 [0.87]
½ NPT, R ½	116.5 [4.59]	27 [1.06]	15 [0.59]	161 [6.34]	159 [6.25]	22 [0.87]

Case dimensions and weight

Scale range	Dimensions in mm [in]		Weight in kg [lb]	
	a	b1 ±0.5 [0.02]	Model 332.30	Model 333.30
≤ 100 bar [1,500 psi]	29 [1.14]	64 [2.53]	1.30 [3.483]	2.34 [6.269]
> 100 bar [1,500 psi]	43 [1.71]	79 [3.09]	1.50 [4.019]	2.70 [7.234]

Accessories and spare parts

Model	Description
	910.17 Seals → See data sheet AC 09.08
	910.15 Syphons → See data sheet AC 09.06
	910.13 Overpressure protector → See data sheet AC 09.04
	IV1 Needle valve and multiport valve → See data sheet AC 09.22
	IV2 Block-and-bleed valve → See data sheet AC 09.19
	IVM Monoflange, process and instrument version → See data sheet AC 09.17
	BV Ball valve, process and instrument version → See data sheet AC 09.28
	IBF2, IBF3 Monoblock with flange connection → See data sheet AC 09.25

Ordering information

Model / Nominal size / Scale range / Process connection / Connection location / Options

© 09/2008 WIKA Alexander Wiegand SE & Co. KG, all rights reserved.
 The specifications given in this document represent the state of engineering at the time of publishing.
 We reserve the right to make modifications to the specifications and materials.
 In case of a different interpretation of the translated and the English data sheet, the English wording shall prevail.

