

Gas-actuated thermometer with electrical output signal for hazardous areas, model TGT73

EN

Gasdruckthermometer mit elektrischem Ausgangssignal für explosionsgefährdete Bereiche, Typ TGT73

DE

Thermomètre à dilatation de gaz avec signal de sortie électrique pour zones explosives, type TGT73

FR

Termómetro de dilatación de gas con señal de salida eléctrica para atmósferas potencialmente explosivas, modelo TGT73

ES



intelliTHERM®



Model TGT73.100

WIKAL

Part of your business

EN	Operating instructions model TGT73 (Ex)	Page	3 - 36
DE	Betriebsanleitung Typ TGT73 (Ex)	Seite	37 - 70
FR	Mode d'emploi type TGT73 (Ex)	Page	71 - 104
ES	Manual de instrucciones modelo TGT73 (Ex)	Página	105 - 137

© 07/2019 WIKA Alexander Wiegand SE & Co. KG
All rights reserved. / Alle Rechte vorbehalten.
WIKA® is a registered trademark in various countries.
WIKA® ist eine geschützte Marke in verschiedenen Ländern.

Prior to starting any work, read the operating instructions!
Keep for later use!

Vor Beginn aller Arbeiten Betriebsanleitung lesen!
Zum späteren Gebrauch aufbewahren!

Lire le mode d'emploi avant de commencer toute opération !
A conserver pour une utilisation ultérieure !

¡Leer el manual de instrucciones antes de comenzar cualquier trabajo!
¡Guardar el manual para una eventual consulta!

Contents

1. General information	5
2. Design and function	6
2.1 Overview	6
2.2 Description	6
2.3 Scope of delivery	7
3. Safety	8
3.1 Explanation of symbols	8
3.2 Intended use	9
3.3 Improper use	9
3.4 Responsibility of the operator	10
3.5 Personnel qualification	10
3.6 Skilled personnel	11
3.7 Labelling, safety marks	11
3.8 Ex marking	12
3.9 Specifications and temperature limits	12
3.10 Special conditions for safe use (X conditions)	14
4. Transport, packaging and storage	15
4.1 Transport	15
4.2 Packaging and storage	15
5. Commissioning, operation	16
5.1 Mechanical connection	16
5.2 Electrical connection	19
5.3 Use of thermowells	22
5.4 Thermal contact medium	22

6. Mounting instructions for contact bulb	23
6.1 Mounting on pipes24
6.2 Mounting on tanks24
7. Faults	25
8. Maintenance and cleaning	26
8.1 Maintenance26
8.2 Cleaning27
9. Dismounting, return and disposal	28
9.1 Dismounting28
9.2 Return29
9.3 Disposal30
10. Specifications	30
10.1 Electrical connection31
10.2 Transmitter electronics for hazardous areas31
10.3 Gas-actuated thermometer with electrical output signal32
Annex: EU declaration of conformity	35

Declarations of conformity can be found online at www.wika.com.

1. General information

EN

1. General information

- The model TGT73 intelliTHERM gas-actuated thermometer described in the operating instructions has been designed and manufactured using state-of-the-art technology. All components are subject to stringent quality and environmental criteria during production. Our management systems are certified to ISO 9001 and ISO 14001.
- These operating instructions contain important information on handling the instrument. Working safely requires that all safety instructions and work instructions are observed.
- Observe the relevant local accident prevention regulations and general safety regulations for the instrument's range of use.
- The operating instructions are part of the product and must be kept in the immediate vicinity of the instrument and readily accessible to skilled personnel at any time.
- Skilled personnel must have carefully read and understood the operating instructions prior to beginning any work.
- The manufacturer's liability is void in the case of any damage caused by using the product contrary to its intended use, non-compliance with these operating instructions, assignment of insufficiently qualified skilled personnel or unauthorised modifications to the instrument.
- The general terms and conditions contained in the sales documentation shall apply.
- Subject to technical modifications.
- Further information:
 - Internet address: www.wika.de / www.wika.com
 - Relevant data sheet: TV 17.10

2. Design and function

2. Design and function

EN

2.1 Overview



- ① Case
- ② Dial
- ③ Pointer
- ④ Stem
- ⑤ Electrical connection with cable box

2.2 Description

The gas-actuated thermometer consists of a stem, capillary, Bourdon tube and transmitter in the case. These parts are combined to form a single unit. The entire measuring system is filled with an inert gas under pressure.

Any change in temperature causes a change in internal pressure in the stem, and thus a change in the shape of the pressure element.

2. Design and function

This motion is converted, via a mechanical movement, into a rotational motion. A magnet on the pointer shaft rotates proportionally to the instrument pointer as a direct linear function of the process temperature. The downstream electronics detect the rotational motion of the magnet in the display range.

A magnetic-field dependent rotational sensor picks up this change on the electronics side, contact-free, wear-free and without reaction on the pressure element.

The rotational motion is converted into an electrical signal. The electronics are factory-set to the standard 4 ... 20 mA passive output signal. The span of the electrical output signal corresponds to the scale span on the dial.

Through these two standard electrical output signals, this instrument can be set to almost any range in the industry. Thermometers from the intelliTHERM range with transmitters combine all the advantages of a local mechanical display with the industry's requirements for electrical signal transmission and a modern measured value registration.

Variations in the ambient temperature acting on the case are compensated for by a bimetal element mounted between the movement and the measuring tube.

Scale ranges with accuracy class 1 per EN 13190
between -200 ... +700 °C

2.3 Scope of delivery

Cross-check scope of delivery with delivery note.

3.1 Explanation of symbols



WARNING!

... indicates a potentially dangerous situation that can result in serious injury or death, if not avoided.



CAUTION!

... indicates a potentially dangerous situation that can result in light injuries or damage to property or the environment, if not avoided.



DANGER!

... identifies hazards caused by electrical power. Should the safety instructions not be observed, there is a risk of serious or fatal injury.



WARNING!

... indicates a potentially dangerous situation in the hazardous area that results in serious injury or death, if not avoided.



WARNING!

... indicates a potentially dangerous situation that can result in burns, caused by hot surfaces or liquids, if not avoided.



Information

... points out useful tips, recommendations and information for efficient and trouble-free operation.

3. Safety

EN

3.2 Intended use

Thermometers with output signal combine a mechanical measuring system with electronic signal processing and are used to control process values as well as for plant monitoring in industrial applications.

Only use the instrument in applications that lie within its technical performance limits (e.g. temperature limits, material compatibility, ...).

→ For performance limits, see chapter 10 “Specifications”

The instrument has been designed and built solely for the intended use described here, and may only be used accordingly.

The manufacturer shall not be liable for claims of any type based on operation contrary to the intended use.

3.3 Improper use



WARNING!

Injuries through improper use

Improper use of the instrument can lead to hazardous situations and injuries.

- ▶ Refrain from unauthorised modifications to the instrument.
- ▶ Do not use the instrument with abrasive or viscous media.

Any use beyond or different to the intended use is considered as improper use.

3. Safety

3.4 Responsibility of the operator

The instrument is used in the industrial sector. The operator is therefore responsible for legal obligations regarding safety at work.

EN

The safety instructions within these operating instructions, as well as the safety, accident prevention and environmental protection regulations for the application area must be maintained.

The operator is obliged to maintain the product label in a legible condition.

To ensure safe working on the instrument, the operating company must ensure

- that suitable first-aid equipment is available and aid is provided whenever required.
- that the operating personnel are regularly instructed in all topics regarding work safety, first aid and environmental protection and know the operating instructions and, in particular, the safety instructions contained therein.
- that the instrument is suitable for the particular application in accordance with its intended use.
- that personal protective equipment is available.



On the wetted parts of the instrument, small residual amounts of the adjustment medium (e.g. compressed air, water, oil) can adhere from production. With increased requirements for technical cleanliness, suitability for the application must be checked by the operator before commissioning.

3.5 Personnel qualification



WARNING!

Risk of injury should qualification be insufficient!

Improper handling can result in considerable injury and damage to property.

- ▶ The activities described in these operating instructions may only be carried out by skilled personnel who have the qualifications described below.

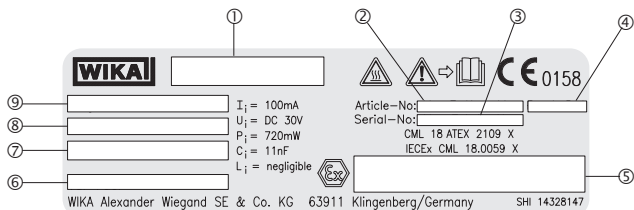
3. Safety

EN

3.6 Skilled personnel

Skilled personnel are understood to be personnel who, based on their technical training, knowledge of measurement and control technology and on their experience and knowledge of country-specific regulations, current standards and directives, are capable of carrying out the work described and independently recognising potential hazards.

3.7 Labelling, safety marks



- ① Model + transmitter electronics
- ② Article number
- ③ Serial number
- ④ Date of manufacture (month/year)
- ⑤ Ex marking
- ⑥ Case filling
- ⑦ Supply voltage
- ⑧ Output signal
- ⑨ Scale range



Before mounting and commissioning the instrument, ensure you read the operating instructions!



Risk of burns!

Potentially dangerous situation caused by hot surfaces.

3.8 Ex marking

EN



DANGER!

Danger to life due to loss of explosion protection

Non-observance of these instructions and their contents may result in the loss of explosion protection.

- ▶ Observe the safety instructions in this chapter and further explosion protection instructions in these operating instructions.
- ▶ Observe the information given in the applicable type examination certificate and the relevant country-specific regulations for installation and use in hazardous areas (e.g. IEC 60079-14, NEC, CEC).

Check whether the classification is suitable for the application. Observe the relevant national regulations.

ATEX

IECEx

II 2G Ex ia IIC T6/T5/T4 Gb

II 2D Ex ia IIIB T85°C /T100°C/T135°C Db

3.9 Specifications and temperature limits

Ingress protection per IEC/EN 60529

For information on the ingress protection of the respective instrument, see chapter 10 "Specifications". For the IECEx assessment, IP20 ingress protection was assumed.

Permissible temperature range

For determining the maximum temperature at the instrument, besides the medium temperature also other influences such as the ambient temperature and, if applicable, the solar irradiation must be taken into account.

3. Safety

Gas hazardous areas

Required temperature class (ignition temperature)	Permissible temperature range at the instrument
T6	-20 ... +45 °C
T5	-20 ... +60 °C
T4 ... T1	-20 ... +60 °C (+70 °C optional)

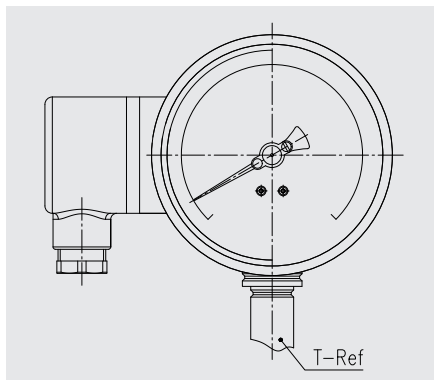
EN

Dust hazardous areas

Maximum surface temperature	Permissible temperature range at the instrument
T85°C	-20 ... +45 °C
T100°C	-20 ... +60 °C
T135°C	-20 ... +60 °C (+70 °C optional)

The installation should be made in such a way that the temperature range of the instrument, also considering the effects of convection and thermal radiation, neither exceeds nor falls below the permissible limits.

Compliance with the permissible temperature range during operation must be ensured by the operator. The area shown in the following picture under "T-Ref" can be used for this purpose.



3.10 Special conditions for safe use (X conditions)

- 1) The temperature class and permitted maximum ambient temperature are dependent upon the options fitted within the equipment and may not be marked on the equipment label. The user shall refer to this certificate and to the equipment instructions for details of the applicable temperature class and ambient temperature range.
- 2) The user shall consider that heat may be transferred along the measuring probe and the equipment shall not exceed the maximum permitted ambient temperature. For further information, refer to the user instructions.
- 3) The equipment may incorporate an integral cable. The user shall ensure that, when installed, the cable is fixed in place and is protected from mechanical damage.
- 4) For Group III applications, under certain extreme circumstances, the non-metallic coating of the enclosure of this equipment may generate an ignition-capable level of electrostatic charge. Therefore, the equipment shall not be installed in a location where the external conditions are conducive to the build-up of electrostatic charge on such surfaces. The user/installer shall implement precautions to prevent the build-up of electrostatic charge, e.g. locate the equipment where a charge-generating mechanism (such as wind-blown dust) is unlikely to be present and clean with a damp cloth.

4. Transport, packaging and storage

4. Transport, packaging and storage

EN

4.1 Transport

Check the instrument for any damage that may have been caused by transport.

Obvious damage must be reported immediately.



CAUTION!

Damage through improper transport

With improper transport, a high level of damage to property can occur.

- ▶ When unloading packed goods upon delivery as well as during internal transport, proceed carefully and observe the symbols on the packaging.
- ▶ With internal transport, observe the instructions in chapter 4.2 "Packaging and storage".

4.2 Packaging and storage

Do not remove packaging until just before mounting.

Keep the packaging as it will provide optimum protection during transport (e.g. change in installation site, sending for repair).

Permissible conditions at the place of storage:

Storage temperature

- Without liquid dampening: -50 ... +70 °C (EN 13190)

- With liquid dampening: -40 ... +70 °C (EN 13190)

Avoid exposure to the following factors:

- Direct sunlight or proximity to hot objects
- Mechanical vibration, mechanical shock (putting it down hard)
- Soot, vapour, dust and corrosive gases
- Hazardous environments, flammable atmospheres

Store the instrument in its original packaging in a location that fulfils the conditions listed above.



The use of liquid dampening is always recommended for temperatures near the dew point (± 1 °C around 0 °C).

5. Commissioning, operation

5. Commissioning, operation

EN

Before installation, commissioning and operation, ensure that the appropriate instrument has been selected in terms of scale range, design and specific measuring conditions.



WARNING!

Physical injuries and damage to property and the environment caused by hazardous media

Upon contact with hazardous media (e.g. with flammable or toxic substances), harmful media (e.g. corrosive, toxic, carcinogenic, radioactive), there is a danger of physical injuries and damage to property and the environment. Should a failure occur, aggressive media with extremely high temperature and under high pressure may be present at the instrument.

- ▶ For these media, in addition to all standard regulations, the appropriate existing codes or regulations must also be followed.
- ▶ Wear the requisite protective equipment.

5.1 Mechanical connection

When screwing the instruments in, the force required to do this must not be applied through the case, but only through the spanner flats provided for this purpose, and using a suitable tool.

Installation with
open-ended spanner



- If possible, the entire length of the stem should be exposed to the temperature being measured. However, at least the length of the active part that corresponds to the length of the gas expansion vessel (active length).

5. Commissioning, operation

- In pipelines or other measuring points, the temperature probe must be positioned as far towards the flow as possible.
- Errors in thermal conduction occur if the area where the temperature is to be measured is so small, that the mass of the temperature probe acts as thermal capacity. Errors in thermal conduction may also occur if the insertion depth is insufficient, if the mounting fittings are connected to a good thermal conductor (metal plate or similar) and there is a considerable difference in temperature between the measuring and mounting element temperatures.
- Mount the indicator case free from vibration. If necessary, it is possible to isolate the installation from the mounting point, e.g. by installing a flexible connection line between the measuring point and the thermometer and mounting the instrument on a suitable bracket.

Requirements for the installation point

If the line to the measuring instrument is not adequately stable, an instrument mounting bracket should be used for fastening. If vibrations cannot be avoided by means of suitable installation, filled instruments should be used. The instruments should be protected against coarse dirt and wide fluctuations in ambient temperature.

Permissible vibration load at the installation site

The instruments should always be installed in locations free from vibration. If necessary, it is possible to isolate the instrument from the mounting point, e.g. by installing a flexible connection line between the measuring point and the instrument and mounting the instrument on a suitable bracket.

If this is not possible, the following limit values must not be exceeded:

Frequency range < 150 Hz

Acceleration < 0.5 g (5 m/s²)

5. Commissioning, operation

The liquid filling must be checked on a regular basis.

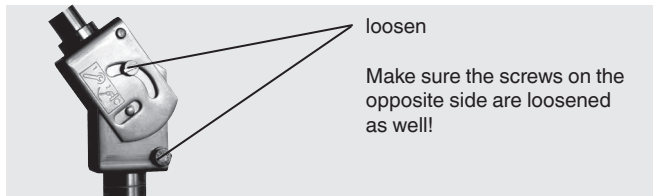
The liquid level must not drop below 75 % of the instrument diameter.

EN

Heavy shocks, oscillations and vibrations lead to imprecise values, increased wear in the movement, and fractures on welded or soldered joints.

When mounting a gas-actuated thermometer that can be rotated and swivelled, the specific instructions must be followed. In order to set the indicator to the desired position, the following steps must be taken:

1. The lock nut or union nut must be loosened at the process connection.
2. The hexagon bolts and slotted screws at the swivel joint must be loosened.



3. Position the indicator as required, tighten the hexagon bolts and slotted screws, and finally tighten the lock nut or union nut firmly.

5. Commissioning, operation

5.2 Electrical connection

The electrical connection must only be made by qualified skilled personnel. The instrument must be connected to the equipotential bonding of the plant.

→ For performance data see chapter 10 “Specifications”

The electrical connection of the transmitter is made through an angular connector. The exact pin assignments can be found in the following drawing. In addition, the pin assignment, output signal and the required supply voltage are stated on the product label.

Supply voltage

The instrument must only be used in conjunction with a corresponding Ex repeater power supply.

Suitable Ex repeater power supply:

Model KFD2-STC4-Ex1, DC 20 ... 35 V, for DIN rail

Order number: 2341268

Safety instructions for installation

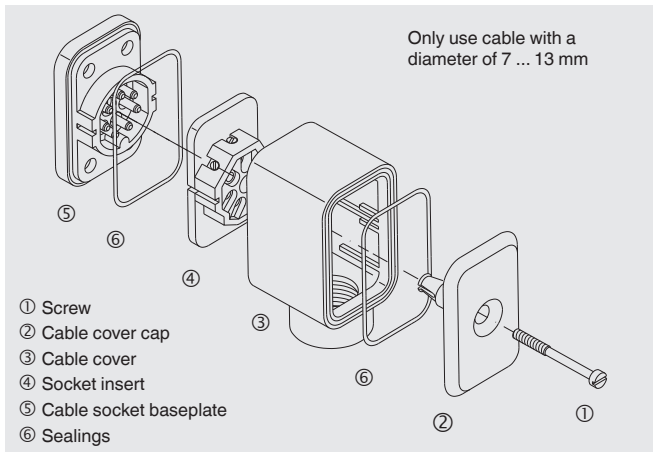
- Install instruments in accordance with the manufacturer's instructions and the valid standards and regulations.
- Only connect circuits with the same voltage and type of protection to the connection leads of the instrument.
- Size the connection leads for the largest current strength in the circuits and ensure sufficient UV resistance and mechanical stability.
- With flexible connection leads, use isolated end splices. Max. permissible conductor cross-section 1.5 mm².
- Connection leads must be suited to the ambient temperature range of the application.
- The connection leads must also be suitable for the supplied cable gland (for diameter range, see below).
- Seal the cable entry with the appropriate approved cable glands.
- Install the connection cables securely.
- The gas-actuated thermometer with integrated rotary encoder must be grounded through the thermometer case and through the ground terminal in the angular connector.

5. Commissioning, operation

Dismounting cable socket

The cable socket is prefitted and must be dismantled as described below.

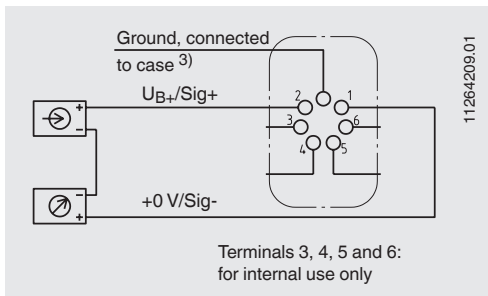
EN



- Fully loosen the screws on the cable cover cap with a slotted screwdriver (0.6 x 3.5 mm) and remove them.
- Pull the cable cover, along with the socket insert, out from the cable socket baseplate (joined permanently with the instrument).
- Take the cable cover cap and push the socket insert out, downwards, completely through the cable cap.

5. Commissioning, operation

Pin assignment cable socket



Cable	Connector	Assignment
red	Pin 1	$U_{B+}/I+$
black	Pin 4	0 V/I-
brown	Pin 2	n.c.
- - -	Pin 3	n.c.

Explanation of the terminal assignments used:

- U_{B+} Positive terminal of supply voltage
- 0 V Negative terminal of the supply voltage
- Sig+ Positive terminal of output signal
- Sig- Negative terminal of output signal

The instruments must be connected to the equipotential bonding of the plant.

Designation of connection terminals

Terminals 1 and 2 are the connection terminals for the signal output and the voltage supply, respectively. The terminal labelled PE (protective earth, protective conductor) is internally connected to the case. The connections 3 to 6 or 4 to 6 in the 3-wire variant, should be left free and must not be used as points (see also chapter 10 “Specifications”).

5. Commissioning, operation

5.3 Use of thermowells

EN

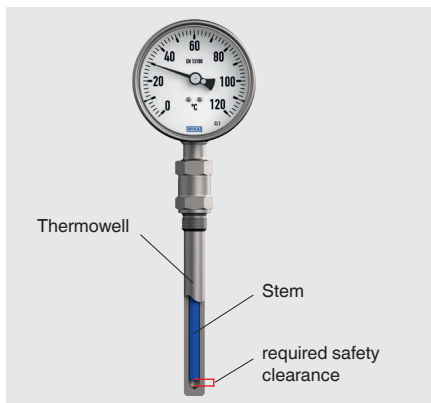


CAUTION!

Damage due to incorrect handling

When using thermowells, please ensure that the stem does not touch the bottom of the thermowell since, due to the different expansion coefficients of the materials, the stem may become buckled at the bottom of the thermowell.

- ▶ Use the correct insertion length (for the formula for the calculation of the insertion length, l_1 , see the respective thermowell data sheet).



5.4 Thermal contact medium

When using thermowells, they must be filled with a thermal contact medium in order to reduce the heat transfer resistance between the outer wall of the probe and the inner wall of the thermowell. The working temperature of the thermal compound is $-40 \dots +200 \text{ }^\circ\text{C}$.



WARNING!

Physical injuries and damage to property due to oil spraying out

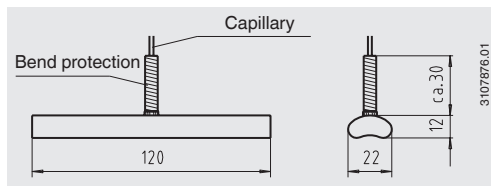
When pouring a thermal contact medium into a hot thermowell, there is a danger of physical injuries and damage to property due to oil spraying out.

- ▶ Do not fill hot thermowells

EN

6. Mounting instructions for contact bulb

The contact bulb has been designed for mounting on pipes or tanks. When mounting this thermometer version, it must be ensured that the contact bulb is in contact with the measuring point over its complete length. The basic requirements to ensure a perfect measuring result is to retain good thermal contact between the contact bulb and the outside wall of the pipe or tank with minimal heat loss to the environment from the contact bulb and measuring point.



6. Mounting instructions for contact bulb

EN

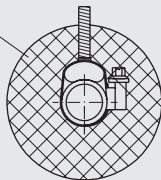
6.1 Mounting on pipes

The geometry of the contact bulb has been designed for pipes with external diameters between 20 and 160 mm. For fixing the contact bulb to the pipe, pipe clamps are sufficient. The contact bulb should have direct metallic contact with the measuring point and have firm contact with the surface of the pipe.

Where temperatures under 200 °C are expected, a thermal compound can be used to optimise the heat transfer between contact bulb and pipe. Insulation must be applied at the mounting point to avoid error due to heat loss. This insulation must have sufficient temperature resistance and is not included in the scope of delivery.

Pipe clamp mounting

Insulation

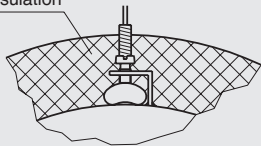


6.2 Mounting on tanks

The geometry of the contact bulb has been designed for tanks with an external radius up to 80 mm. If the mounting point of the contact bulb on the tank has an external radius greater than 80 mm, we recommend the use of an intermediate piece designed for the respective tank diameter, made of a material with good thermal conductivity. The contact bulb can be fastened to the tank by means of an angle bracket with clamping screws, or any similar method. The contact bulb should have direct metallic contact with the measuring point and have firm contact with the surface of the tank.

Angle bracket mounting

Insulation



A thermal compound can be used to optimise the heat transfer between contact bulb and tank, if temperatures under 200 °C are expected. Insulation must be applied at the mounting point to avoid error due to heat loss. This insulation must have sufficient temperature resistance and is not included in the scope of delivery.

**DANGER!****Danger to life from explosion**

Through working in flammable atmospheres, there is a risk of explosion which can cause death.

- ▶ Only rectify faults in non-flammable atmospheres!

**CAUTION!****Physical injuries and damage to property and the environment**

If faults cannot be eliminated by means of the listed measures, the instrument must be taken out of operation immediately.

- ▶ Ensure that pressure or signal is no longer present and protect against accidental commissioning.
- ▶ Contact the manufacturer.
- ▶ If a return is needed, please follow the instructions given in chapter 9.2 "Return".

**WARNING!****Physical injuries and damage to property and the environment caused by hazardous media**

Upon contact with hazardous media (e.g. oxygen, acetylene, flammable or toxic substances), harmful media (e.g. corrosive, toxic, carcinogenic, radioactive), and also with refrigeration plants and compressors, there is a danger of physical injuries and damage to property and the environment.

Should a failure occur, aggressive media with extremely high temperature and under high pressure or vacuum may be present at the instrument.

- ▶ For these media, in addition to all standard regulations, the appropriate existing codes or regulations must also be followed.
- ▶ Wear the requisite protective equipment.



For contact details see chapter 1 "General information" or the back page of the operating instructions.

7. Faults / 8. Maintenance and cleaning

EN

Faults	Causes	Measures
No output signal	No supply voltage or cable break	Check voltage supply and cables. Replace any defective components found
	Transmitter incorrectly connected	Check connections; correct connections if necessary
	Electronics failure due to too high supply voltage or through external voltage	Return the measuring instrument to the manufacturer for repair
Constant output signal upon change in temperature	Supply voltage connected the wrong way (I = approx. 0 mA)	Check connection, and if necessary, swap terminals 1 and 2
	Transmitter defective	Return the measuring instrument to the manufacturer for repair
Too high, constant output signal upon change in temperature	Electronics failure due to too high supply voltage or through external voltage	Return the measuring instrument to the manufacturer for repair
Signal span too small	Supply voltage too low	Rectify the supply voltage
	Load too high	stay within the max. permissible load

For the replacement of the instrument, observe chapters 9 “Dismounting, return and disposal” and 5 “Commissioning, operation”.

8. Maintenance and cleaning

8.1 Maintenance

The instruments are maintenance-free.

The indicator and switching function should be checked once or twice every year. To do this, the instrument can be disconnected from the process and checked using a temperature calibrator.

14347811.03 03/2020 EN/DE/FR/ES

8. Maintenance and cleaning

EN

Testing of filled instruments

For filled instruments, the level must be checked once or twice every year. The liquid level must not drop below 75 % of the instrument diameter.



WARNING!

Danger to life due to impermissible filling/refilling of the instrument with loss of explosion protection

The filling/refilling of instruments by non-authorised personnel leads to a loss of the explosion protection and can lead to damage to the instrument.

- ▶ Repair of the instruments may only be carried out by authorised bodies.
- ▶ If a return is needed, please follow the instructions given in chapter 9.2 "Return".

Repairs must only be carried out by the manufacturer.

8.2 Cleaning



CAUTION!

Physical injuries and damage to property and the environment

Improper cleaning may lead to physical injuries and damage to property and the environment. Residual media in the dismantled instrument can result in a risk to persons, the environment and equipment.

- ▶ Carry out the cleaning process as described below.

1. Before cleaning, correctly disconnect the instrument from the pressure supply, switch it off and disconnect it from the mains.
2. Use the requisite protective equipment.
3. Clean the instrument with a moist cloth.
Electrical connections must not come into contact with moisture!

8. Maintenance and cleaning / 9. Dismounting ...

EN



CAUTION!

Damage to the instrument

Improper cleaning may lead to damage to the instrument!

- ▶ Do not use any aggressive cleaning agents.
- ▶ Do not use any hard or pointed objects for cleaning.

4. Wash or clean the dismantled instrument, in order to protect persons and the environment from exposure to residual media.

9. Dismounting, return and disposal



WARNING!

Physical injuries and damage to property and the environment through residual media

Residual media in the dismantled instrument can result in a risk to persons, the environment and equipment.

- ▶ Wear the requisite protective equipment.
- ▶ Observe the information in the material safety data sheet for the corresponding medium.
- ▶ Wash or clean the dismantled instrument, in order to protect persons and the environment from exposure to residual media.

9.1 Dismounting



WARNING!

Risk of burns

During dismantling there is a risk of dangerously hot media escaping.

- ▶ Let the instrument cool down sufficiently before dismantling it!

9. Dismounting, return and disposal



DANGER!

Danger to life caused by electric current

Upon contact with live parts, there is a direct danger to life.

- ▶ The dismounting of the instrument may only be carried out by skilled personnel.
- ▶ Remove the instrument once the system has been isolated from power sources.



WARNING!

Physical injury When dismounting, there is a danger from aggressive media and high pressures.

- ▶ Observe the information in the material safety data sheet for the corresponding medium.
- ▶ Dismount the instrument when there is no pressure.

If necessary, the measuring line must have strain relief. For diaphragm pressure gauges, the tensioning screws of the upper and lower flange must not be loosened.

9.2 Return

Strictly observe the following when shipping the instrument:

All instruments delivered to WIKA must be free from any kind of hazardous substances (acids, bases, solutions, etc.) and must therefore be cleaned before being returned.



WARNING!

Physical injuries and damage to property and the environment through residual media

Residual media in the dismantled instrument can result in a risk to persons, the environment and equipment.

- ▶ With hazardous substances, include the material safety data sheet for the corresponding medium.
- ▶ Clean the instrument, see chapter 8.2 "Cleaning".

When returning the instrument, use the original packaging or a suitable transport packaging.

9. Dismounting ... / 10. Specifications

EN



Information on returns can be found under the heading "Service" on our local website.

9.3 Disposal

Incorrect disposal can put the environment at risk. Dispose of instrument components and packaging materials in an environmentally compatible way and in accordance with the country-specific waste disposal regulations.



Do not dispose of with household waste. Ensure a proper disposal in accordance with national regulations.

10. Specifications



DANGER!

Danger to life due to loss of explosion protection

The non-observance of the instructions for use in hazardous areas can lead to the loss of the explosion protection.

- ▶ Adhere to the following limit values and instructions.
- ▶ The case contains parts made of non-metallic material, which could be adversely affected by environmental conditions. It must be ensured that the non-metallic parts are not damaged as a result of the environmental conditions.

Non-metallic parts of the case

PUR, TPU, PA 6, EPDM, NBR (option), FMQ (option)

10. Specifications

EN

10.1 Electrical connection

Standard cable socket

Cable socket, fitted on the right-hand side of the case.

Material: PA 6, black

Per VDE 0110 insulation group C/250 V

Cable gland M20 x 1.5 (facing downwards) with strain relief
6 screw terminals + PE for conductor cross-section 1.5 mm²

Cable outlet

Cable length 2 m or 5 m, facing downwards and to the right

Material: PVC

Miniature connector

Miniature connector M8 x 1 (4-pin)

10.2 Transmitter electronics for hazardous areas

Model 892.44

Output signal	Variant 2: 4 ... 20 mA, 2-wire, for hazardous areas
Supply voltage U_B	DC 14 ... 30 V
Influence of supply voltage	≤ 0.1 % of full scale/10 V
Permissible residual ripple of U_B	≤ 10 % ss
Permissible max. load R_A	$R_A \leq (U_B - 12 \text{ V})/0.02 \text{ A}$ with R_A in Ohm and U_B in Volt, however max. 600 Ω
Effect of load	≤ 0.1 % of full scale
Long-term stability of electronics	< 0.3 % of full scale per year
Electrical output signal	≤ 1 % of measuring span
Linear error	≤ 1 % of measuring span (terminal method)
Resolution	0.13 % of full scale (10 bit resolution at 360°)
Refresh rate (measuring rate)	600 ms

14347811.03 03/2020 EN/DE/FR/ES

10. Specifications

Safety-related maximum values

U_i	I_i	P_i	C_i	L_i
DC 30 V	100 mA	720 mW	11 nF	negligible

For further information see Annex "EU declaration of conformity"

10.3 Gas-actuated thermometer with electrical output signal

Gas-actuated thermometer model TGT73

Measuring element	Inert gas expansion system
Nominal size	<ul style="list-style-type: none">■ 100■ 160
Instrument version	<ul style="list-style-type: none">■ Back mount (axial)■ Lower mount (radial)■ Back mount, adjustable stem and dial■ Instruments with capillaries
Accuracy class	Class 1 per EN 13190 at 23 °C ±10 °C ambient temperature
Working range	
Continuous load (1 year)	Measuring range (EN 13190)
Short time (max. 24 h)	Scale range (EN 13190)
Wetted materials	
Process connection	Stainless steel 304SS
Stem	Stainless steel 316SS
Non-wetted materials	
Case, ring	Stainless steel 304SS
Dial	Aluminium, white, black lettering
Pointer	Aluminium, black, adjustable pointer
Ingress protection per IEC/EN 60529	IP65
Permissible ambient temperature	-20 ... +60 °C [-4 ... +140 °F] without/with liquid dampening

10. Specifications

EN

Electrical data	
Supply voltage U_B	
4 ... 20 mA (Ex)	DC $14 \leq U_B \leq 30$ V
Influence of supply voltage	≤ 0.1 % of full scale/10 V
Permissible residual ripple	≤ 10 % ss
Permissible max. load R_A	$R_A \leq (U_B - 12 \text{ V})/0.02$ A with R_A in Ω and U_B in V, however max. 600 Ω
Effect of load	≤ 0.1 % of FS
Output signal	4 ... 20 mA, 2-wire, passive
Safety-related maximum values	
Supply voltage U_i	max. DC 30 V
Short-circuit current I_i	max. 100 mA
Power P_i	max. 0.72 W
Internal capacitance C_i	12 nF
Internal inductance L_i	negligible
Sampling rate sensor	600 ms
Linear error	≤ 1.0 % of span (terminal method)
Output signal accuracy	0.2 % of FS (only electronics)
Resolution	0.15 % of FS (10 bit resolution at 360°)
Refresh rate (measuring rate)	$> 1/s$
Input signal, angle of rotation	$0 \dots 270$ \sphericalangle °
Long-term stability of electronics	< 0.3 % of full scale/a
Temperature error of electronics	< 0.3 % of full scale value/10 K (in overall temperature range)
Warm-up time	≤ 5 min
Electrical connection	Via angular connector, 180° rotatable, max. 1.5 mm ² , cable protection, M20 x 1.5 cable gland, cable outer \varnothing 7 ... 13 mm, incl. strain relief

10. Specifications

Electrical data

Designation of connection terminals dependent on the output signal version	Type	4 ... 20 mA
	1	GND
	2	I+
	3	reserved
	4	reserved
	5	reserved
	6	reserved

For further specifications see WIKA data sheet TV 17.10 and the order documentation.

EN



EU-Konformitätserklärung EU Declaration of Conformity

Dokument Nr.: 14336003.01
Document No.:

Wir erklären in alleiniger Verantwortung, dass die mit CE gekennzeichneten Produkte
We declare under our sole responsibility that the CE marked products

Typebezeichnungen: TGT73.1x0 mit Option / with option +892.44 (1)
Type Designation: TGS55.1x0 mit Option / with option +831 oder / or +831-* (1)
TGS73.1x0 mit Option / with option +831 oder / or +831-* (1)

Beschreibung: Thermometer mit elektrischem Ausgang
Description: Temperature gauges with electrical output

gemäß gültigen Datenblättern: TV 17.10, TV 25.01, TV 27.01
according to the valid data sheets:

die wesentlichen Schutzanforderungen der folgenden Richtlinien erfüllen: Harmonisierte Normen:
comply with the essential protection requirements of the directives: Harmonized standards:

2011/65/EU	Gefährliche Stoffe (RoHS) Hazardous substances (RoHS)	EN 50581:2012
2014/30/EU	Elektromagnetische Verträglichkeit (EMV) Electromagnetic Compatibility (EMC)	EN 61326-1:2013 (2) EN 61326-2-3:2013 (2) EN 60947-5-2:2007 +A1:2012 (3) EN 60947-5-6:2000 (3)
2014/34/EU	Explosionsschutz (ATEX) (4) Explosion protection (ATEX) (4)	EN 60079-0:2012 +A11:2013 EN 60079-11:2012



II 2G Ex ia IIC T6/T5/T4 Gb
II 2D Ex ia IIB T85°C/T95°C/T100°C/T135°C Db

(1) x Nenngröße (NG): 0 = 100 mm / 6 = 160 mm
x Nominal size (NS):

* Optionen für Schaltkontakte (modellabhängig): N / SN / 3.5N / 3.5SN / 3.5SN1
* Options for switches (depending on model):

(2) Für Modelle mit der Option: +892.44
For models with the option:

(3) Für Modelle mit mindestens einer der Optionen: +831, +831-*
For models with at least one of the options:

(4) EU-Baumusterprüfbescheinigung CML 18ATEX2109X von CML B.V., Amsterdam (Reg.-Nr. 2776).
EU type-examination certificate CML 18ATEX2109X of CML B.V., Amsterdam (Reg. no. 2776).

Unterszeichnet für und im Namen von / Signed for and on behalf of

WIKAI Alexander Wiegand SE & Co. KG

Klingenberg, 2019-06-17

Alfred Häfner, Vice President
Process Instrumentation Pressure

Dr. Michael Glombitza, Head of Quality Management
Process Instrumentation Pressure

WIKAI Alexander Wiegand SE & Co. KG
Alexander-Wiegand-Straße 30
63911 Klingenberg
Germany
Tel +49 9372 132-0
Fax +49 9372 132-405
E-Mail info@wika.de
www.wika.de

Kommanditgesellschaft: Sitz Klingenberg –
Amtsgericht Aschaffenburg HRA 1819

Komplementärin:
WIKAI International SE - Sitz Klingenberg –
Amtsgericht Aschaffenburg HRB 10505
Vorstand: Alexander Wiegand
Vorsitzender des Aufsichtsrats: Dr. Max Egli
16AR-02239

Inhalt

1. Allgemeines	39
2. Aufbau und Funktion	40
2.1 Überblick40
2.2 Beschreibung.40
2.3 Lieferumfang41
3. Sicherheit	42
3.1 Symbolerklärung42
3.2 Bestimmungsgemäße Verwendung43
3.3 Fehlgebrauch.43
3.4 Verantwortung des Betreibers44
3.5 Personalqualifikation44
3.6 Fachpersonal.45
3.7 Beschilderung, Sicherheitskennzeichnungen45
3.8 Ex-Kennzeichnung46
3.9 Spezifikation und Temperaturgrenzen46
3.10 Besondere Bedingungen für die sichere Verwendung (X-Conditions)48
4. Transport, Verpackung und Lagerung	49
4.1 Transport49
4.2 Verpackung und Lagerung49
5. Inbetriebnahme, Betrieb	50
5.1 Mechanischer Anschluss.50
5.2 Elektrischer Anschluss53
5.3 Verwendung von Schutzrohren.56
5.4 Wärmekontaktmittel56

6. Montagehinweise für Anliegeföhler	57
6.1 Montage an Röhren58
6.2 Montage an Behältern58
7. Störungen	59
8. Wartung und Reinigung	60
8.1 Wartung60
8.2 Reinigung61
9. Demontage, Rücksendung und Entsorgung	62
9.1 Demontage62
9.2 Rücksendung.63
9.3 Entsorgung64
10. Technische Daten	64
10.1 Elektrischer Anschluss65
10.2 Transmitterelektronik für Ex-Bereiche65
10.3 Gasdruckthermometer mit elektrischem Ausgangssignal66
Anlage: EU-Konformitätserklärung	69

Konformitätserklärungen finden Sie online unter www.wika.de.

1. Allgemeines

1. Allgemeines

DE

- Das in der Betriebsanleitung beschriebene Gasdruckthermometer IntelliTHERM Typ TGT73 wird nach dem aktuellen Stand der Technik konstruiert und gefertigt. Alle Komponenten unterliegen während der Fertigung strengen Qualitäts- und Umweltkriterien. Unsere Managementsysteme sind nach ISO 9001 und ISO 14001 zertifiziert.
- Diese Betriebsanleitung gibt wichtige Hinweise zum Umgang mit dem Gerät. Voraussetzung für sicheres Arbeiten ist die Einhaltung aller angegebenen Sicherheitshinweise und Handlungsanweisungen.
- Die für den Einsatzbereich des Gerätes geltenden örtlichen Unfallverhütungsvorschriften und allgemeinen Sicherheitsbestimmungen einhalten.
- Die Betriebsanleitung ist Produktbestandteil und muss in unmittelbarer Nähe des Gerätes für das Fachpersonal jederzeit zugänglich aufbewahrt werden.
- Das Fachpersonal muss die Betriebsanleitung vor Beginn aller Arbeiten sorgfältig durchgelesen und verstanden haben.
- Die Haftung des Herstellers erlischt bei Schäden durch bestimmungswidrige Verwendung, Nichtbeachten dieser Betriebsanleitung, Einsatz ungenügend qualifizierten Fachpersonals sowie eigenmächtiger Veränderung am Gerät.
- Es gelten die allgemeinen Geschäftsbedingungen in den Verkaufsunterlagen.
- Technische Änderungen vorbehalten.
- Weitere Informationen:
 - Internet-Adresse: www.wika.de / www.wika.com
 - zugehöriges Datenblatt: TV 17.10

2. Aufbau und Funktion

2. Aufbau und Funktion

2.1 Überblick



- ① Gehäuse
- ② Zifferblatt
- ③ Zeiger
- ④ Tauchrohr
- ⑤ Elektrischer Anschluss mit Kabelbox

2.2 Beschreibung

Das Gasdruckthermometer besteht aus Tauchschaft, Kapillarleitung, Rohrfeder und Ferngeber im Gehäuse. Diese Teile sind zu einer Einheit verbunden. Das komplette Messsystem ist unter Druck mit einem inerten Gas gefüllt.

Eine Temperaturänderung bewirkt im Tauchschaft eine Veränderung des Innendruckes und somit die Form des Messgliedes.

2. Aufbau und Funktion

Diese Bewegung wird über ein mechanisches Messwerk in eine Drehbewegung umgesetzt. Ein auf der Zeigerachse aufgesetzter Magnet dreht sich proportional mit dem Instrumentenzeiger in direkter linearer Abhängigkeit zu der Prozesstemperatur. Die nachgeschaltete Elektronik erfasst die Drehbewegung des Magneten im Anzeigebereich.

Ein magnetfeldabhängiger Drehwinkelsensor greift auf der elektrischen Seite diese Veränderung berührungslos ab und arbeitet somit verschleißfrei.

Die Drehbewegung wird in ein elektrisches Ausgangssignal umgesetzt. Werkseitig ist die Elektronik auf das normierte Ausgangssignal 4 ... 20 mA passiv eingestellt. Die Spanne des elektrischen Ausgangssignals entspricht dem Anzeigebereich auf dem Zifferblatt.

Durch die zwei normierten elektrischen Ausgangssignale ist diese Gerätereihe in nahezu allen Bereichen der Industrie einsetzbar. Das Thermometer mit Ferngeber aus der intelliTHERM-Reihe verbindet alle Vorteile einer mechanischen Anzeige vor Ort mit der Forderung nach einer elektrischen Signalübertragung für eine moderne Messwertfassung in der Industrie.

Schwankungen der Umgebungstemperatur auf das Gehäuse können vernachlässigt werden, da zwischen dem Zeigerwerk und der Messfeder ein Bimetallelement zur Kompensation eingebaut ist.

Anzeigebereiche bei Genauigkeitsklasse 1 nach EN 13190
zwischen -200 ... +700 °C

2.3 Lieferumfang

Lieferumfang mit dem Lieferschein abgleichen.

3. Sicherheit

3. Sicherheit

3.1 Symbolerklärung

DE



WARNUNG!

... weist auf eine möglicherweise gefährliche Situation hin, die zum Tod oder zu schweren Verletzungen führen kann, wenn sie nicht gemieden wird.



VORSICHT!

... weist auf eine möglicherweise gefährliche Situation hin, die zu geringfügigen oder leichten Verletzungen bzw. Sach- und Umweltschäden führen kann, wenn sie nicht gemieden wird.



GEFAHR!

... kennzeichnet Gefährdungen durch elektrischen Strom. Bei Nichtbeachtung der Sicherheitshinweise besteht die Gefahr schwerer oder tödlicher Verletzungen.



WARNUNG!

... weist auf eine möglicherweise gefährliche Situation im explosionsgefährdeten Bereich hin, die zum Tod oder zu schweren Verletzungen führt, wenn sie nicht gemieden wird.



WARNUNG!

... weist auf eine möglicherweise gefährliche Situation hin, die durch heiße Oberflächen oder Flüssigkeiten zu Verbrennungen führen kann, wenn sie nicht gemieden wird.



Information

... hebt nützliche Tipps und Empfehlungen sowie Informationen für einen effizienten und störungsfreien Betrieb hervor.

3. Sicherheit

DE

3.2 Bestimmungsgemäße Verwendung

Thermometer mit Ausgangssignal vereinen mechanisches Messsystem mit elektronischer Signalverarbeitung und dienen zum Steuern und Regeln von Prozesswerten sowie zur Anlagenüberwachung in industriellen Anwendungen.

Das Gerät nur in Anwendungen verwenden, die innerhalb seiner technischen Leistungsgrenzen liegen (z. B. Temperaturgrenzen, Materialverträglichkeit, ...).

→ Leistungsgrenzen siehe Kapitel 10 „Technische Daten“

Das Gerät ist ausschließlich für den hier beschriebenen bestimmungsgemäßen Verwendungszweck konzipiert und konstruiert und darf nur dementsprechend verwendet werden.

Ansprüche jeglicher Art aufgrund von nicht bestimmungsgemäßer Verwendung sind ausgeschlossen.

3.3 Fehlgebrauch



WARNUNG!

Verletzungen durch Fehlgebrauch

Fehlgebrauch des Gerätes kann zu gefährlichen Situationen und Verletzungen führen.

- ▶ Eigenmächtige Umbauten am Gerät unterlassen.
- ▶ Gerät nicht für abrasive und viskose Messstoffe verwenden.

Jede über die bestimmungsgemäße Verwendung hinausgehende oder andersartige Benutzung gilt als Fehlgebrauch.

3. Sicherheit

3.4 Verantwortung des Betreibers

Das Gerät wird im gewerblichen Bereich eingesetzt. Der Betreiber unterliegt daher den gesetzlichen Pflichten zur Arbeitssicherheit.

Die Sicherheitshinweise dieser Betriebsanleitung, sowie die für den Einsatzbereich des Gerätes gültigen Sicherheits-, Unfallverhütungs- und Umweltschutzvorschriften einhalten.

Der Betreiber ist verpflichtet das Typenschild lesbar zu halten.

Für ein sicheres Arbeiten am Gerät muss der Betreiber sicherstellen,

- dass eine entsprechende Erste-Hilfe-Ausrüstung vorhanden ist und bei Bedarf jederzeit Hilfe zur Stelle ist.
- dass das Bedienpersonal regelmäßig in allen zutreffenden Fragen von Arbeitssicherheit, Erste Hilfe und Umweltschutz unterwiesen wird, sowie die Betriebsanleitung und insbesondere die darin enthaltenen Sicherheitshinweise kennt.
- dass das Gerät gemäß der bestimmungsgemäßen Verwendung für den Anwendungsfall geeignet ist.
- dass die persönliche Schutzausrüstung verfügbar ist.



An den messstoffberührten Teilen des Gerätes können herstellungsbedingt geringe Restmengen des Justagemediums (z. B. Druckluft, Wasser, Öl) anhaften. Bei erhöhten Anforderungen an die technische Sauberkeit muss die Eignung für den Anwendungsfall vor Inbetriebnahme vom Betreiber geprüft sein.

3.5 Personalqualifikation



WARNUNG!

Verletzungsgefahr bei unzureichender Qualifikation!

Unsachgemäßer Umgang kann zu erheblichen Personen- und Sachschäden führen.

- ▶ Die in dieser Betriebsanleitung beschriebenen Tätigkeiten nur durch Fachpersonal nachfolgend beschriebener Qualifikation durchführen lassen.

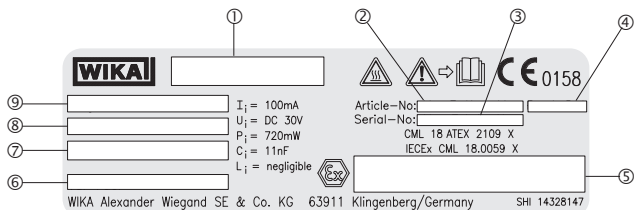
3. Sicherheit

3.6 Fachpersonal

Das Fachpersonal ist aufgrund seiner fachlichen Ausbildung, seiner Kenntnisse der Mess- und Regelungstechnik und seiner Erfahrungen sowie Kenntnis der landesspezifischen Vorschriften, geltenden Normen und Richtlinien in der Lage, die beschriebenen Arbeiten auszuführen und mögliche Gefahren selbstständig zu erkennen.

DE

3.7 Beschilderung, Sicherheitskennzeichnungen



- ① Typ + Transmitterelektronik
- ② Artikelnummer
- ③ Seriennummer
- ④ Herstellungsdatum (Monat/Jahr)
- ⑤ Ex-Kennzeichnung
- ⑥ Gehäusefüllung
- ⑦ Hilfsenergie
- ⑧ Ausgangssignal
- ⑨ Anzeigebereich



Vor Montage und Inbetriebnahme des Gerätes unbedingt die Betriebsanleitung lesen!



Verbrennungsgefahr!

Möglicherweise gefährliche Situation durch heiße Oberflächen.

3.8 Ex-Kennzeichnung



GEFAHR!

Lebensgefahr durch Verlust des Explosionsschutzes

Die Nichtbeachtung dieser Inhalte und Anweisungen kann zum Verlust des Explosionsschutzes führen.

- ▶ Sicherheitshinweise in diesem Kapitel sowie weitere Explosionsschutzhinweise in dieser Betriebsanleitung beachten.
- ▶ Die Angaben der geltenden Baumusterprüfbescheinigung sowie die jeweiligen landesspezifischen Vorschriften zur Installation und Einsatz in explosionsgefährdeten Bereichen (z. B. IEC 60079-14, NEC, CEC) einhalten.

Überprüfen, ob die Klassifizierung für den Einsatzfall geeignet ist. Die jeweiligen nationalen Vorschriften und Bestimmungen beachten.

ATEX

IECEx

II 2G Ex ia IIC T6/T5/T4 Gb

II 2D Ex ia IIIB T85°C /T100°C/T135°C Db

3.9 Spezifikation und Temperaturgrenzen

Schutzart nach IEC/EN 60529

Informationen zur Schutzart des jeweiligen Gerätes siehe Kapitel 10 „Technische Daten“. Für die IECEx-Bewertung wurde die Schutzart IP20 angenommen.

Zulässiger Temperaturbereich

Für die Ermittlung der maximalen Temperatur am Gerät sind außer der Messstofftemperatur noch andere Einflüsse wie z. B. die Umgebungstemperatur und gegebenenfalls die Sonneneinstrahlung zu berücksichtigen.

3. Sicherheit

Gasexplosionsgefährdeter Bereich

Geforderte Temperaturklasse (Zündtemperatur)	Zulässiger Temperaturbereich am Gerät
T6	-20 ... +45 °C
T5	-20 ... +60 °C
T4 ... T1	-20 ... +60 °C (+70 °C optional)

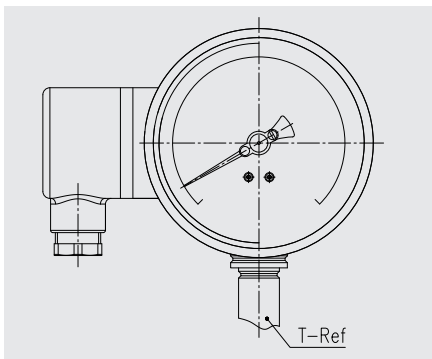
DE

Staubexplosionsgefährdeter Bereich

Maximale Oberflächentemperatur	Zulässiger Temperaturbereich am Gerät
T85°C	-20 ... +45 °C
T100°C	-20 ... +60 °C
T135°C	-20 ... +60 °C (+70 °C optional)

Die Montage ist so auszuführen, dass der zulässige Temperaturbereich des Gerätes, auch unter Berücksichtigung des Einflusses von Konvektion und Wärmestrahlung, weder unter- noch überschritten wird.

Die Einhaltung des zulässigen Temperaturbereiches ist vom Betreiber während des Betriebes sicherzustellen. Die im folgenden Bild unter „T-Ref“ dargestellte Fläche kann hierzu genutzt werden.



3.10 Besondere Bedingungen für die sichere Verwendung (X-Conditions)

- 1) Die Temperaturklasse und die zulässige maximale Umgebungstemperatur richten sich nach den im Gerät installierten Optionen und müssen auf der Gerätebeschilderung nicht zwingend angegeben sein. Einzelheiten zur anwendbaren Temperaturklasse und zum Umgebungstemperaturbereich sind aus dem vorliegenden Zertifikat und der Geräte-Anleitung ersichtlich.
- 2) Der Benutzer muss beachten, dass Wärme entlang der Messsonde übertragen werden kann und darauf achten, dass das Gerät die maximal zulässige Umgebungstemperatur nicht überschreitet. Näheres ist aus den Bedienhinweisen ersichtlich.
- 3) Ein festangebautes Kabel kann Bestandteil des Gerätes sein. Ist dies der Fall, muss der Benutzer dafür sorgen, dass dieses gut befestigt und gegen mechanische Beschädigung geschützt ist.
- 4) Bei Anwendungen der Gruppe III kann die nichtmetallische Beschichtung des Gerätegehäuses unter bestimmten extremen Bedingungen eine zündfähige elektrostatische Ladung erzeugen. Aus diesem Grunde darf das Gerät nicht an einem Ort installiert werden, an dem durch die äußeren Bedingungen der Aufbau elektrostatischer Ladung an solchen Oberflächen begünstigt wird. Der Benutzer/Installateur muss Vorsichtsmaßnahmen ergreifen, um einen Aufbau elektrostatischer Ladung zu verhindern, indem er das Gerät z. B. an einem Ort aufstellt, an dem ein ladungserzeugender Mechanismus (wie z. B. vom Wind verwehter Staub) wenig wahrscheinlich ist, und das Gerät mit einem feuchten Tuch abwischt.

4. Transport, Verpackung und Lagerung

4.1 Transport

Gerät auf eventuell vorhandene Transportschäden untersuchen.
Offensichtliche Schäden unverzüglich mitteilen.



VORSICHT!

Beschädigungen durch unsachgemäßen Transport

Bei unsachgemäßem Transport können Sachschäden in erheblicher Höhe entstehen.

- ▶ Beim Abladen der Packstücke bei Anlieferung sowie innerbetrieblichem Transport vorsichtig vorgehen und die Symbole auf der Verpackung beachten.
- ▶ Bei innerbetrieblichem Transport die Hinweise unter Kapitel 4.2 „Verpackung und Lagerung“ beachten.

4.2 Verpackung und Lagerung

Verpackung erst unmittelbar vor der Montage entfernen.

Die Verpackung aufbewahren, denn diese bietet bei einem Transport einen optimalen Schutz (z. B. wechselnder Einbauort, Reparatursendung).

Zulässige Bedingungen am Lagerort:

Lagertemperatur

- Ohne Flüssigkeitsdämpfung: -50 ... +70 °C (EN 13190)
- Mit Flüssigkeitsdämpfung: -40 ... +70 °C (EN 13190)

Folgende Einflüsse vermeiden:

- Direktes Sonnenlicht oder Nähe zu heißen Gegenständen
- Mechanische Vibration, mechanischer Schock (hartes Aufstellen)
- Ruß, Dampf, Staub und korrosive Gase
- Explosionsgefährdete Umgebung, entzündliche Atmosphären

Das Gerät in der Originalverpackung an einem Ort lagern, der die oben gelisteten Bedingungen erfüllt.



Empfohlen wird bei Temperaturen um den Taupunkt (± 1 °C um 0 °C) immer die Verwendung einer Flüssigkeitsdämpfung.

5. Inbetriebnahme, Betrieb

5. Inbetriebnahme, Betrieb

Vor Montage, Inbetriebnahme und Betrieb sicherstellen, dass das richtige Gerät hinsichtlich Anzeigebereich, Ausführung und spezifischen Messbedingungen ausgewählt wurde.

DE



WARNUNG!

Körperverletzungen, Sach- und Umweltschäden durch gefährliche Messstoffe

Bei Kontakt mit gefährlichen Messstoffen (z. B. bei brennbaren oder giftigen Stoffen), gesundheitsgefährdenden Messstoffen (z. B. ätzend, giftig, krebserregend, radioaktiv) besteht die Gefahr von Körperverletzungen, Sach- und Umweltschäden. Am Gerät können im Fehlerfall aggressive Messstoffe mit extremer Temperatur und unter hohem Druck anliegen.

- ▶ Bei diesen Messstoffen müssen über die gesamten allgemeinen Regeln hinaus die einschlägigen Vorschriften beachtet werden.
- ▶ Notwendige Schutzausrüstung tragen.

5.1 Mechanischer Anschluss

Beim Einschrauben der Geräte darf die dazu erforderliche Kraft nicht über das Gehäuse aufgebracht werden, sondern mit geeignetem Werkzeug nur über die dafür vorgesehenen Schlüsselflächen.

Montage mit
Gabelschlüssel



- Der Tauchschaft soll möglichst mit seiner ganzen Länge der zu messenden Temperatur ausgesetzt sein. Mindestens aber die Länge des aktiven Teils, welche der Länge des Gasausdehnungsgefäßes entspricht (aktive Länge).

5. Inbetriebnahme, Betrieb

- Der Temperaturfühler muss in Rohrleitungen oder sonstigen Messstellen der Strömungsrichtung möglichst schräg entgegengerichtet stehen.
- Wärmeableitfehler entstehen, wenn der Messraum, dessen Temperatur angezeigt werden soll, sehr klein ist, so dass sich die Masse des Temperaturfühlers als Wärmekapazität bemerkbar macht. Wärmeableitfehler können auch bei nicht genügender Einbautiefe entstehen, wenn die Befestigungsarmatur an einem guten Wärmeleiter (Metallplatten oder dergleichen) befestigt ist und ein erheblicher Temperaturunterschied zwischen der Mess- und der Befestigungselement-Temperatur besteht.
- Das Anzeigegehäuse muss erschütterungsfrei montiert werden. Gegebenenfalls kann z. B. durch eine flexible Verbindungsleitung von der Messstelle zum Thermometer und die Befestigung über eine Messgerätehalterung eine Entkopplung vom Einbauort erreicht werden.

Anforderungen an die Einbaustelle

Ist die Leitung zum Messgerät für eine erschütterungsfreie Anbringung nicht stabil genug, sollte die Befestigung mittels Messgerätehalterung erfolgen. Können Erschütterungen nicht durch geeignete Installationen vermieden werden, dann sollten gefüllte Geräte eingesetzt werden. Die Geräte sind vor grober Verschmutzung und starken Schwankungen der Umgebungstemperatur zu schützen.

Zulässige Schwingungsbelastung am Einbauort

Die Geräte sollten grundsätzlich nur an Stellen ohne Schwingungsbelastung eingebaut werden. Gegebenenfalls kann z. B. durch eine flexible Verbindungsleitung von der Messstelle zum Gerät und die Befestigung über eine Messgerätehalterung eine Entkopplung vom Einbauort erreicht werden.

Falls dies nicht möglich ist, dürfen folgende Grenzwerte nicht überschritten werden:

Frequenzbereich < 150 Hz

Beschleunigung < 0,5 g (5 m/s²)

5. Inbetriebnahme, Betrieb

Die Flüssigkeitsfüllung ist regelmäßig zu überprüfen.

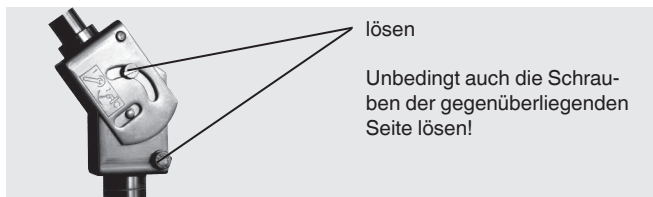
Der Flüssigkeitsspiegel darf nicht unter 75 % des Gerätedurchmessers fallen.

Starke Erschütterungen, Schwingungen und Vibrationen führen zu Anzeigeunsicherheiten, erhöhtem Verschleiß im Messwerk bzw. Bruch an den Schweiß- oder Lötstellen.

DE

Bei der Montage eines dreh- und schwenkbaren Gasdruckthermometers sind besondere Vorschriften zu beachten. Um die Anzeige in die gewünschte Position zu bringen, müssen folgende Schritte eingehalten werden:

1. Die Konter- oder Überwurfmutter muss am Prozessanschluss gelöst sein.
2. Sechskant- und Schlitzschrauben müssen am Schwenkgelenk gelöst sein.



3. Anzeige positionieren, Sechskant- und Schlitzschrauben anziehen und schließlich die Konter- oder Überwurfmutter fest anziehen.

5.2 Elektrischer Anschluss

Der elektrische Anschluss darf nur durch qualifiziertes Fachpersonal erfolgen. Das Gerät muss in den Potentialausgleich der Anlage eingebunden werden.

→ Leistungsdaten siehe Kapitel 10 „Technische Daten“

Der elektrische Anschluss des Ferngebers wird über einen Winkelsteckverbinder hergestellt. Die genauen Anschlussbelegungen können der nachfolgenden Zeichnung entnommen werden. Zusätzlich sind Anschlussbelegung, Ausgangssignal und erforderliche Hilfsenergie auf dem Typenschild vermerkt.

Hilfsenergie

Das Gerät darf nur in Verbindung mit einem entsprechenden Ex-Speisetrenner betrieben werden.

Passender Ex-Speisetrenner:

Typ KFD2-STC4-Ex1, DC 20 ... 35 V, für Hutschiene

Bestellnummer: 2341268

Sicherheitshinweise bei Installation

- Geräte gemäß Herstellerangaben und den gültigen Normen und Regeln installieren.
- An die Anschlussleitungen des Gerätes nur Stromkreise mit gleicher Spannung bzw. von gleicher Schutzart anschließen.
- Anschlussleitungen für die größte Stromstärke in den Stromkreisen bemessen und auf ausreichende UV- und mechanische Beständigkeit achten.
- Bei flexiblen Anschlussleitungen isolierte Aderendhülsen verwenden. Max. zulässiger Leitungsquerschnitt 1,5 mm².
- Anschlussleitungen müssen für den Umgebungstemperaturbereich der Anwendung geeignet sein.
- Die Anschlussleitungen müssen auch für die mitgelieferte Kabelverschraubung geeignet sein (Durchmesserbereich siehe unten).
- Kabeleinführung mit den entsprechend zugelassenen Kabelverschraubungen dicht verschließen.
- Anschlusskabel fest verlegen.

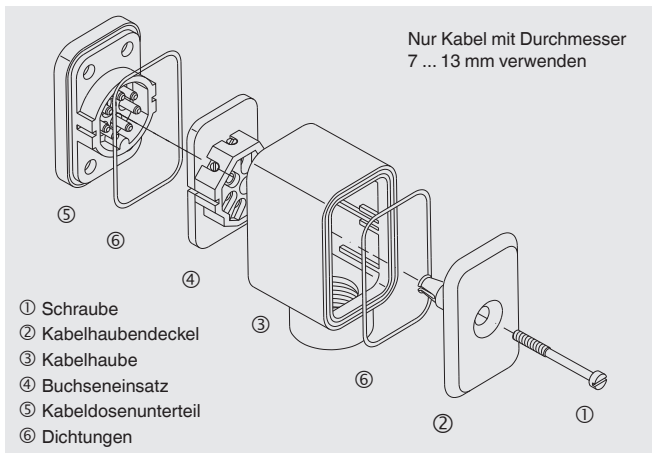
5. Inbetriebnahme, Betrieb

- Das Gasdruckthermometer mit integriertem Drehwinkelferngeber muss über das Thermometergehäuse und zusätzlich über die Erdungsklemme im Winkelsteckverbinder geerdet werden.

Demontage Kabeldose

Die Kabeldose ist vormontiert und muss wie nachfolgend beschrieben zerlegt werden.

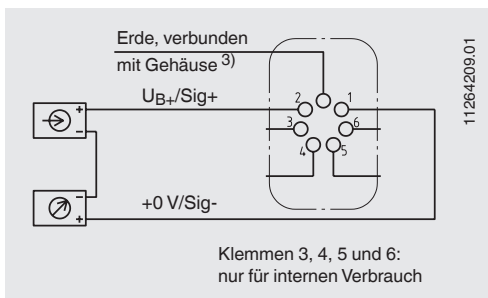
DE



- Mit einem Schlitzschraubendreher (0,6 x 3,5 mm) die Schraube am Kabelhaubendeckel vollständig lösen und entnehmen.
- Die Kabelhaube samt Buchseneinsatz vom Kabeldosenunterteil (fest mit Gerät verbunden) abziehen.
- Kabelhaubendeckel entfernen und den Buchseneinsatz ganz durch die Kabelhaube nach unten herausdrücken.

5. Inbetriebnahme, Betrieb

Anschlussbelegung Kabeldose



Kabel	Stecker	Belegung
rot	Pin 1	$U_{B+}/I+$
schwarz	Pin 4	0 V/I-
braun	Pin 2	n.c.
- - -	Pin 3	n.c.

Bedeutung der verwendeten Klemmenbezeichnungen:

- U_{B+} Plusklemme der Hilfsenergie
- 0 V Minusklemme der Hilfsenergie
- Sig+ Plusklemme des Ausgangssignals
- Sig- Minusklemme des Ausgangssignals

Die Geräte in den Potenzialausgleich der Anlage mit einbeziehen.

Belegung der Anschlussklemmen

Die Klemmen 1 und 2 sind die Anschlussklemmen für den Signalausgang bzw. für die Spannungsversorgung. Die mit PE (protective earth, Schutzleiter) gekennzeichnete Klemme ist intern mit dem Gehäuse verbunden. Die Anschlüsse 3 bis 6 bzw. 4 bis 6 bei der 3 Leiter-Variante sind frei zu lassen und dürfen auch nicht als Stützpunkte verwendet werden (siehe auch Kapitel 10 „Technische Daten“).

5. Inbetriebnahme, Betrieb

5.3 Verwendung von Schutzrohren

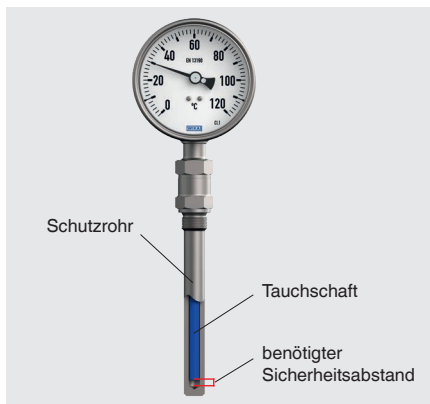


VORSICHT!

Beschädigung durch falsche Handhabung

Bei der Verwendung von Schutzrohren beachten, dass der Tauchschaft nicht den Boden des Schutzrohres berührt, da durch die unterschiedlichen Ausdehnungskoeffizienten der Materialien sich der Tauchschaft am Boden des Schutzrohres verbiegen könnte.

- ▶ Korrekte Einbaulänge verwenden (Formeln zur Berechnung der Einbaulänge l_1 siehe entsprechendes Schutzrohrdatenblatt).



5.4 Wärmekontaktmittel

Bei Verwendung von Schutzrohren möglichst durch Einfüllen eines Wärmekontaktmittels den Wärmeübertragungswiderstand zwischen Fühleraußenwand und Schutzrohrinnenwand reduzieren. Die Arbeitstemperatur der Wärmeleitpaste beträgt -40 ... +200 °C.



WARNUNG!

Körperverletzungen und Sachschäden durch heraus-spritzendes Öl

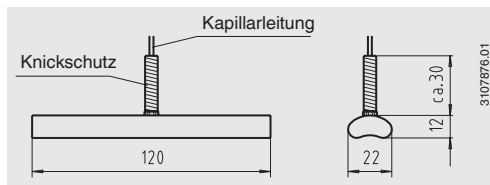
Bei Einfüllen eines Wärmekontaktmittels in heiße Schutzrohre besteht die Gefahr von Körperverletzungen und Sachschäden durch herausspritzendes Öl.

- ▶ Nicht in heiße Schutzrohre einfüllen

DE

6. Montagehinweise für Anliegeföhler

Der Anliegeföhler ist vorgesehen zur Oberflächenmontage an Rohren und Behältern. Die Montage ist so durchzuführen, dass der Anliegeföhler über seine gesamte Länge auf der Messstelle aufliegt. Voraussetzung für ein einwandfreies Messergebnis ist eine gute thermische Ankopplung des Anliegeföhlers zur Rohraußenwand bzw. Behälteraußenwand sowie eine möglichst geringe Wärmeableitung der Messstelle und des Anliegeföhlers an die Umgebung.



6. Montagehinweise für Anliegeföhler

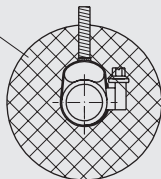
6.1 Montage an Rohren

Die Geometrie des Anliegeföhlers ist abgestimmt auf Röhre mit einem Außendurchmesser zwischen 20 und 160 mm. Zum Befestigen des Anliegeföhlers am Rohr genügen Rohrschellen. Der Anliegeföhler sollte direkten metallischen Kontakt zur Messstelle aufweisen und fest auf der Oberfläche des Rohres

aufliegen. Sofern die zu erwartenden Temperaturen unter 200 °C liegen, kann zur Optimierung des Wärmeüberganges zwischen Anliegeföhler und Rohr eine Wärmeleitpaste eingesetzt werden. Eine Isolierung muss an der Montagestelle angebracht werden, um Wärmeableitfehler zu vermeiden. Diese Isolierung muss ausreichend temperaturbeständig sein und gehört nicht zum Lieferumfang.

Rohrschellenmontage

Isolierung



3107922.01

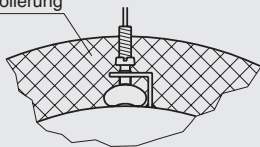
6.2 Montage an Behältern

Die Geometrie des Anliegeföhlers ist abgestimmt auf Behälteraußenradien bis 80 mm. Beträgt an der Montagestelle des Anliegeföhlers der Behälteraußenradius mehr als 80 mm, empfehlen wir das Verwenden eines auf den jeweiligen Behälterdurchmesser abgestimmten Zwischenteiles aus

einem Material mit guter thermischer Leitfähigkeit. Zum Befestigen des Anliegeföhlers am Behälter kann z. B. eine Halterung aus Winkeleisen mit Anpressschrauben eingesetzt werden. Der Anliegeföhler sollte direkten metallischen Kontakt zur Messstelle aufweisen und fest auf der Oberfläche des Behälters aufliegen.

Winkeleisenhalterung

Isolierung



3107930.01

Zur Optimierung des Wärmeüberganges zwischen Anliegeföhler und Behälter kann eine Wärmeleitpaste eingesetzt werden, wenn die zu erwartenden Temperaturen unter 200 °C liegen. Eine Isolierung muss an der Montagestelle angebracht werden, um Wärmeableitfehler zu vermeiden. Diese Isolierung muss ausreichend temperaturbeständig sein und gehört nicht zum Lieferumfang.

7. Störungen



GEFAHR!

Lebensgefahr durch Explosion

Durch Arbeiten in entzündlichen Atmosphären besteht Explosionsgefahr, die zum Tod führen kann.

- ▶ Störungen nur in nicht-entzündlichen Atmosphären beseitigen!



VORSICHT!

Körperverletzungen, Sach- und Umweltschäden

Können Störungen mit Hilfe der aufgeführten Maßnahmen nicht beseitigt werden, Gerät unverzüglich außer Betrieb setzen.

- ▶ Sicherstellen, dass kein Druck bzw. Signal mehr anliegt und gegen versehentliche Inbetriebnahme schützen.
- ▶ Kontakt mit dem Hersteller aufnehmen.
- ▶ Bei notwendiger Rücksendung die Hinweise unter Kapitel 9.2 „Rücksendung“ beachten.



WARNUNG!

Körperverletzungen, Sach- und Umweltschäden durch gefährliche Messstoffe

Bei Kontakt mit gefährlichen Messstoffen (z. B. Sauerstoff, Acetylen, brennbaren oder giftigen Stoffen), gesundheitsgefährdenden Messstoffen (z. B. ätzend, giftig, krebserregend, radioaktiv) sowie bei Kälteanlagen, Kompressoren besteht die Gefahr von Körperverletzungen, Sach- und Umweltschäden. Am Gerät können im Fehlerfall aggressive Messstoffe mit extremer Temperatur und unter hohem Druck oder Vakuum anliegen.

- ▶ Bei diesen Messstoffen müssen über die gesamten allgemeinen Regeln hinaus die einschlägigen Vorschriften beachtet werden.
- ▶ Notwendige Schutzausrüstung tragen.



Kontaktadressen siehe Kapitel 1 „Allgemeines“ oder Rückseite der Betriebsanleitung.

7. Störungen / 8. Wartung und Reinigung

DE

Störungen	Ursachen	Maßnahmen
Kein Ausgangssignal	Keine Hilfsenergie oder Leitungsbruch	Spannungsversorgung und Leitungen überprüfen. Ggf. defekte Teile austauschen
	Ferngeber falsch angeschlossen	Anschlüsse überprüfen; Anschlüsse ggf. korrigieren
	Elektronik defekt durch zu hohe Hilfsenergie oder durch Fremdspannung	Messgerät zur Instandsetzung an Hersteller zurück
Gleichbleibendes Ausgangssignal bei Temperaturänderung	Hilfsenergie verpolt angeschlossen ($I = \text{ca. } 0 \text{ mA}$)	Verklemmung prüfen und ggf. Klemme 1 und 2 vertauschen
	Ferngeber defekt	Messgerät zur Instandsetzung an Hersteller zurück
Zu hohes, bei Temperaturänderung gleichbleibendes Ausgangssignal	Elektronik defekt durch zu hohe Hilfsenergie oder durch Fremdspannung	Messgerät zur Instandsetzung an Hersteller zurück
Signalspanne zu klein	Hilfsenergie zu niedrig	Hilfsenergie korrigieren
	Bürde zu hoch	max. zulässige Bürde beachten

Für den Austausch des Gerätes die Kapitel 9 „Demontage, Rücksendung und Entsorgung“ und 5 „Inbetriebnahme, Betrieb“ beachten.

8. Wartung und Reinigung

8.1 Wartung

Die Geräte sind wartungsfrei.

Eine Überprüfung der Anzeige und der Schaltfunktion sollte etwa 1 bis 2 mal pro Jahr erfolgen. Dazu kann das Gerät vom Prozess getrennt und mit einem Temperaturkalibrator kontrolliert werden.

8. Wartung und Reinigung

Prüfung gefüllter Geräte

Für gefüllte Geräte ist der Füllstand etwa 1- bis 2-mal pro Jahr zu überprüfen. Der Flüssigkeitsspiegel darf nicht unter 75 % des Gerätedurchmessers fallen.



WARNUNG!

Lebensgefahr durch unzulässiges Füllen/Nachfüllen des Gerätes mit Verlust des Explosionsschutzes

Das Füllen/Nachfüllen von Geräten von nicht-autorisierten Personen führt zum Verlust des Explosionsschutzes und kann zur Beschädigung des Gerätes führen.

- ▶ Instandsetzung der Geräte nur durch autorisierte Stellen durchführen lassen.
- ▶ Bei notwendiger Rücksendung die Hinweise unter Kapitel 9.2 „Rücksendung“ beachten.

Reparaturen sind ausschließlich vom Hersteller durchzuführen.

8.2 Reinigung



VORSICHT!

Körperverletzungen, Sach- und Umweltschäden

Eine unsachgemäße Reinigung führt zu Körperverletzungen, Sach- und Umweltschäden. Messstoffreste im ausgebauten Gerät können zur Gefährdung von Personen, Umwelt und Einrichtung führen.

- ▶ Reinigungsvorgang wie folgt beschrieben durchführen.

1. Vor der Reinigung das Gerät ordnungsgemäß von der Druckversorgung trennen, ausschalten und vom Netz trennen.
2. Notwendige Schutzausrüstung verwenden.
3. Das Gerät mit einem feuchten Tuch reinigen.
Elektrische Anschlüsse nicht mit Feuchtigkeit in Berührung bringen!



VORSICHT!

Beschädigung des Gerätes

Eine unsachgemäße Reinigung führt zur Beschädigung des Gerätes!

- ▶ Keine aggressiven Reinigungsmittel verwenden.
- ▶ Keine harten und spitzen Gegenstände zur Reinigung verwenden.

DE

4. Ausgebautes Gerät spülen bzw. säubern, um Personen und Umwelt vor Gefährdung durch anhaftende Messstoffreste zu schützen.

9. Demontage, Rücksendung und Entsorgung



WARNUNG!

Körperverletzungen, Sach- und Umweltschäden durch Messstoffreste

Messstoffreste im ausgebauten Gerät können zur Gefährdung von Personen, Umwelt und Einrichtung führen.

- ▶ Notwendige Schutzausrüstung tragen.
- ▶ Angaben im Sicherheitsdatenblatt für den entsprechenden Messstoff beachten.
- ▶ Ausgebautes Gerät spülen bzw. säubern, um Personen und Umwelt vor Gefährdung durch anhaftende Messstoffreste zu schützen.

9.1 Demontage



WARNUNG!

Verbrennungsgefahr

Beim Ausbau besteht Gefahr durch austretende, gefährlich heiße Messstoffe.

- ▶ Vor dem Ausbau das Gerät ausreichend abkühlen lassen!

9. Demontage, Rücksendung und Entsorgung



GEFAHR!

Lebensgefahr durch elektrischen Strom

Bei Berührung mit spannungsführenden Teilen besteht unmittelbare Lebensgefahr.

- ▶ Die Demontage des Gerätes darf nur durch Fachpersonal erfolgen.
- ▶ Gerät im stromlosen Zustand demontieren.



WARNUNG!

Körperverletzung

Bei der Demontage besteht Gefahr durch aggressive Messstoffe und hohe Drücke.

- ▶ Angaben im Sicherheitsdatenblatt für den entsprechenden Messstoff beachten.
- ▶ Gerät im drucklosen Zustand demontieren.

Gegebenenfalls muss die Messleitung entspannt werden. Bei Plattenferdmanometern dürfen die Spansschrauben des Ober- und Unterflansches nicht gelöst werden.

9.2 Rücksendung

Beim Versand des Gerätes unbedingt beachten:

Alle an WIKA gelieferten Geräte müssen frei von Gefahrstoffen (Säuren, Laugen, Lösungen, etc.) sein und sind daher vor der Rücksendung zu reinigen.



WARNUNG!

Körperverletzungen, Sach- und Umweltschäden durch Messstoffreste

Messstoffreste im ausgebauten Gerät können zur Gefährdung von Personen, Umwelt und Einrichtung führen.

- ▶ Bei Gefahrstoffen das Sicherheitsdatenblatt für den entsprechenden Messstoff beilegen.
- ▶ Gerät reinigen, siehe Kapitel 8.2 „Reinigung“.

Zur Rücksendung des Gerätes die Originalverpackung oder eine geeignete Transportverpackung verwenden.



Hinweise zur Rücksendung befinden sich in der Rubrik „Service“ auf unserer lokalen Internetseite.

DE

9.3 Entsorgung

Durch falsche Entsorgung können Gefahren für die Umwelt entstehen. Gerätekomponenten und Verpackungsmaterialien entsprechend den landesspezifischen Abfallbehandlungs- und Entsorgungsvorschriften umweltgerecht entsorgen.



Nicht mit dem Hausmüll entsorgen. Für eine geordnete Entsorgung gemäß nationaler Vorgaben sorgen.

10. Technische Daten



GEFAHR!

Lebensgefahr durch Verlust des Explosionsschutzes

Das Nichtbeachten der Angaben für den Einsatz in explosionsgefährdeten Bereichen führt zum Verlust des Explosionsschutzes.

- ▶ Nachfolgende Grenzwerte und technische Angaben einhalten.
- ▶ Das Gehäuse enthält Teile aus nichtmetallischem Werkstoff, die aufgrund von Umgebungsbedingungen negativ beeinflusst werden können. Es muss sichergestellt werden, dass die nichtmetallischen Teile durch die Umgebungsbedingungen keinen Schaden nehmen.

Nichtmetallische Teile des Gehäuses

PUR, TPU, PA 6, EPDM, NBR (Option), FMQ (Option)

10. Technische Daten

10.1 Elektrischer Anschluss

Standard-Kabeldose

Kabeldose, rechts am Gehäuse montiert.

Werkstoff: PA 6, schwarz

Nach VDE 0110 Isolationsgruppe C/250 V

Kabelverschraubung M20 x 1,5 (nach unten abgehend) mit Zugentlastung
6 Schraubklemmen + PE für Leiterquerschnitt 1,5 mm²

Kabelausgang

Kabellänge 2 m oder 5 m, nach rechts unten abgehend

Werkstoff: PVC

Miniaturstecker

Miniaturstecker M8 x 1 (4-polig)

DE

10.2 Transmitterelektronik für Ex-Bereiche

Typ 892.44

Ausgangssignal	Variante 2: 4 ... 20 mA, 2-Leiter, für explosionsgefährdete Bereiche
Hilfsenergie U_B	DC 14 ... 30 V
Einfluss der Hilfsenergie	$\leq 0,1$ % vom Endwert/10 V
Zulässige Restwelligkeit von U_B	≤ 10 % ss
Zulässige max. Bürde R_A	$R_A \leq (U_B - 12 \text{ V})/0,02 \text{ A}$ mit R_A in Ohm und U_B in Volt, jedoch max. 600 Ω
Bürdeneinfluss	$\leq 0,1$ % vom Endwert
Langzeitstabilität Elektronik	$< 0,3$ % vom Endwert pro Jahr
Elektrischer Ausgangssignal	≤ 1 % der Messspanne
Kennlinienabweichung	≤ 1 % der Messspanne (Grenzpunkt-einstellung)
Auflösung	0,13 % vom Endwert (10 Bit Auflösung bei 360°)
Aktualisierungsrate (Messrate)	600 ms

10. Technische Daten

Sicherheitstechnische Höchstwerte

U_i	I_i	P_i	C_i	L_i
DC 30 V	100 mA	720 mW	11 nF	vernachlässigbar

Weitere Informationen siehe Anhang „EU-Konformitätserklärung“

DE

10.3 Gasdruckthermometer mit elektrischem Ausgangssignal

Gasdruckthermometer Typ TGT73

Messelement	Gasdruck-Inertgasfüllung
Nenngröße	<ul style="list-style-type: none">■ 100■ 160
Geräteausführung	<ul style="list-style-type: none">■ Anschlusslage rückseitig (axial)■ Anschlusslage unten (radial)■ Anschlusslage rückseitig, dreh- und schwenkbar■ Geräte mit Fernleitung
Genauigkeitsklasse	Klasse 1 nach EN 13190 bei 23 °C ±10 °C Umgebungstemperatur
Verwendungsbereich	
Dauerbelastung (1 Jahr)	Messbereich (EN 13190)
Kurzzeitig (max. 24 h)	Anzeigebereich (EN 13190)
Werkstoffe messtoffberührt	
Prozessanschluss	CrNi-Stahl 304SS
Tauchschaft	CrNi-Stahl 316SS
Werkstoffe nicht-messtoffberührt	
Gehäuse, Ring	CrNi-Stahl 304SS
Zifferblatt	Aluminium, weiß, Skalierung schwarz
Zeiger	Aluminium, schwarz, Verstellzeiger
Schutzart nach IEC/EN 60529	IP65
Zulässige Umgebungstemperatur	-20 ... +60 °C [-4 ... +140 °F] ohne/mit Flüssigkeitsdämpfung

10. Technische Daten

DE

Elektrische Daten

Hilfsenergie U_B	
4 ... 20 mA (Ex)	DC $14 \leq U_B \leq 30$ V
Einfluss der Hilfsenergie	$\leq 0,1$ % vom Endwert/10 V
Zulässige Restwelligkeit	≤ 10 % ss
Zulässige max. Bürde R_A	$R_A \leq (U_B - 12 \text{ V})/0,02$ A mit R_A in Ω und U_B in V, jedoch max. 600 Ω
Bürdeneinfluss	$\leq 0,1$ % vom EW
Ausgangssignal	4 ... 20 mA, 2 Leiter, passiv
Sicherheitstechnische Höchstwerte	
Hilfsenergie U_i	max. DC 30 V
Kurzschlussstrom I_i	max. 100 mA
Leistung P_i	max. 0,72 W
Innere Kapazität C_i	12 nF
Innere Induktivität L_i	vernachlässigbar
Abtastrate Sensor	600 ms
Kennlinienabweichung	$\leq 1,0$ % d. Spanne (Grenzpunkteinstellung)
Genauigkeit Ausgangssignal	0,2 % vom EW (nur Elektronik)
Auflösung	0,15 % vom EW (10 bit Auflösung bei 360°)
Aktualisierungsrate (Messrate)	> 1/s
Eingangssignal Drehwinkel	0 ... 270 \angle°
Langzeitstabilität Elektronik	< 0,3 % vom Endwert/a
Temperaturfehler Elektronik	< 0,3 % vom Endwert/10 K (im gesamten Temperaturbereich)
Aufwärmzeit	≤ 5 min
Elektrischer Anschluss	Über Winkelsteckverbinder, 180° verdrehbar, max. 1,5 mm ² , Drahtschutz, Kabelverschraubung M20 x 1,5, Kabelaußen-Ø 7 ... 13 mm, inkl. Zugentlastung

10. Technische Daten

Elektrische Daten

Belegung der Anschlussklemmen je nach Variante des Ausgangssignals	Art	4 ... 20 mA
	1	GND
	2	I+
	3	reserviert
	4	reserviert
	5	reserviert
	6	reserviert

DE

Weitere technische Daten siehe WIKA-Datenblatt TV 17.10 und Bestellunterlagen.



EU-Konformitätserklärung EU Declaration of Conformity

Dokument Nr.: 14336003.01
Document No.:

Wir erklären in alleiniger Verantwortung, dass die mit CE gekennzeichneten Produkte
We declare under our sole responsibility that the CE marked products

Typenbezeichnungen: TGT73.1x0 mit Option / with option +892.44 ⁽¹⁾
Type Designation: TGS55.1x0 mit Option / with option +831 oder / or +831-^a ⁽¹⁾
TGS73.1x0 mit Option / with option +831 oder / or +831-^a ⁽¹⁾

Beschreibung: Thermometer mit elektrischem Ausgang
Description: Temperature gauges with electrical output

gemäß gültigen Datenblättern: TV 17.10, TV 25.01, TV 27.01
according to the valid data sheets:

die wesentlichen Schutzanforderungen der folgenden Richtlinien erfüllen: Harmonisierte Normen:
comply with the essential protection requirements of the directives: Harmonized standards:

2011/65/EU	Gefährliche Stoffe (RoHS) Hazardous substances (RoHS)	EN 50581:2012
2014/30/EU	Elektromagnetische Verträglichkeit (EMV) Electromagnetic Compatibility (EMC)	EN 61326-1:2013 ⁽²⁾ EN 61326-2-3:2013 ⁽²⁾ EN 60947-5-2:2007 +A1:2012 ⁽³⁾ EN 60947-5-6:2000 ⁽³⁾
2014/34/EU	Explosionsschutz (ATEX) ⁽⁴⁾ Explosion protection (ATEX) ⁽⁴⁾	EN 60079-0:2012 +A11:2013 EN 60079-11:2012



II 2G Ex ia IIC T6/T5/T4 Gb
II 2D Ex ia IIIB T85°C/T95°C/T100°C/T135°C Db

(1) x Nenngröße (NG): 0 = 100 mm / 6 = 160 mm
x Nominal size (NS):

* Optionen für Schaltkontakte (modellabhängig): N / SN / 3.5N / 3.5SN / 3.5SN1
* Options for switches (depending on model):

(2) Für Modelle mit der Option: +892.44
For models with the option:

(3) Für Modelle mit mindestens einer der Optionen: +831, +831-^a
For models with at least one of the options:

(4) EU-Baumusterprüfbescheinigung CML 18ATEX2109X von CML B.V., Amsterdam (Reg.-Nr. 2776).
EU type-examination certificate CML 18ATEX2109X of CML B.V., Amsterdam (Reg. no. 2776).

Unterzeichnet für und im Namen von / Signed for and on behalf of

WIKAI Alexander Wiegand SE & Co. KG

Klingenberg, 2019-06-17

Alfred Häfner, Vice President
Process Instrumentation Pressure

Dr. Michael Glombitza, Head of Quality Management
Process Instrumentation Pressure

WIKAI Alexander Wiegand SE & Co. KG
Alexander-Wiegand-Straße 30
63911 Klingenberg
Germany
Tel +49 9372 132-0
Fax +49 9372 132-405
E-Mail info@wika.de
www.wika.de

Kommanditgesellschaft: Sitz Klingenberg –
Amtsgericht Aschaffenburg HRA 1819

Komplementärin:
WIKAI International SE - Sitz Klingenberg –
Amtsgericht Aschaffenburg HRB 10505
Vorstand: Alexander Wiegand
Vorsitzender des Aufsichtsrats: Dr. Max Egli
16AR-02239

Sommaire

1. Généralités	73
2. Conception et fonction	74
2.1 Vue générale74
2.2 Description74
2.3 Détail de la livraison75
3. Sécurité	76
3.1 Explication des symboles.76
3.2 Utilisation conforme à l'usage prévu77
3.3 Utilisation inappropriée77
3.4 Responsabilité de l'opérateur78
3.5 Qualification du personnel78
3.6 Personnel qualifié79
3.7 Etiquetage, marquages de sécurité79
3.8 Marquage Ex80
3.9 Spécifications et limites de température.80
3.10 Conditions spécifiques pour une utilisation sûre (conditions X)	82
4. Transport, emballage et stockage	83
4.1 Transport83
4.2 Emballage et stockage83
5. Mise en service, utilisation	84
5.1 Raccordement mécanique84
5.2 Raccordement électrique.87
5.3 Utilisation de doigts de gant90
5.4 Fluide de contact thermique.90

6. Instructions de montage pour le bulbe de contact	91
6.1 Montage sur tuyauteries92
6.2 Montage sur cuves92
7. Dysfonctionnements	93
8. Entretien et nettoyage	94
8.1 Entretien94
8.2 Nettoyage95
9. Démontage, retour et mise au rebut	96
9.1 Démontage96
9.2 Retour97
9.3 Mise au rebut98
10. Spécifications	98
10.1 Raccordement électrique.99
10.2 Electronique de transmetteur pour zones explosives99
10.3 Thermomètre à dilatation de gaz avec signal de sortie électrique	100
Annexe : Déclaration de conformité UE	103

Déclarations de conformité disponibles sur www.wika.fr.

1. Généralités

1. Généralités

- Le thermomètre à dilatation de gaz intelliTHERM type TGT73 décrit dans le mode d'emploi est conçu et fabriqué selon les dernières technologies en vigueur. Tous les composants sont soumis à des exigences environnementales et de qualité strictes durant la fabrication. Nos systèmes de gestion sont certifiés selon ISO 9001 et ISO 14001.
- Ce mode d'emploi donne des indications importantes concernant l'utilisation de l'instrument. Il est possible de travailler en toute sécurité avec ce produit en respectant toutes les consignes de sécurité et d'utilisation.
- Respecter les prescriptions locales de prévention contre les accidents et les prescriptions générales de sécurité en vigueur pour le domaine d'application de l'instrument.
- Le mode d'emploi fait partie de l'instrument et doit être conservé à proximité immédiate de l'instrument et accessible à tout moment pour le personnel qualifié.
- Le personnel qualifié doit, avant de commencer toute opération, avoir lu soigneusement et compris le mode d'emploi.
- La responsabilité du fabricant n'est pas engagée en cas de dommages provoqués par une utilisation non conforme à l'usage prévu, de non respect de ce mode d'emploi, d'utilisation de personnel peu qualifié de même qu'en cas de modifications de l'instrument effectuées par l'utilisateur.
- Les conditions générales de vente mentionnées dans les documents de vente s'appliquent.
- Sous réserve de modifications techniques.
- Pour obtenir d'autres informations :
 - Consulter notre site Internet : www.wika.fr
 - Fiche technique correspondante : TV 17.10

FR

2. Conception et fonction

2. Conception et fonction

2.1 Vue générale



- ① Boîtier
- ② Cadran
- ③ Aiguille
- ④ Plongeur
- ⑤ Raccordement électrique avec boîte de câbles

2.2 Description

Le thermomètre à dilatation de gaz est composé d'un plongeur, d'un capillaire, d'un tube manométrique et d'un transmetteur dans le boîtier. Ces pièces sont assemblées pour former un tout. Le système de mesure complet est rempli sous pression avec du gaz inerte.

Tout changement de température cause un changement de pression interne dans le plongeur, et ainsi un changement de la forme de l'élément de pression.

2. Conception et fonction

Ce déplacement est converti, par un mouvement mécanique, en un mouvement de rotation. Un aimant placé sur la tige de l'aiguille tourne proportionnellement à l'aiguille de l'instrument en tant que fonction linéaire directe de la température de process. L'électronique placée en aval détecte le mouvement de rotation de l'aimant sur l'étendue d'affichage.

Un capteur rotationnel dépendant du champ magnétique recueille ce changement sur le côté électronique, sans contact, sans usure et sans réaction sur l'élément de pression.

Le mouvement de rotation est converti en un signal électrique. L'électronique est réglée en usine sur le standard 4 ... 20 mA passif signal de sortie. L'échelle du signal de sortie électrique correspond à l'échelle sur le cadran.

Grâce à ces deux signaux électriques standards, cet instrument peut être placé sur presque toutes les étendues rencontrées dans l'industrie. Les thermomètres de la gamme intelliTHERM avec transmetteurs combinent tous les avantages d'un affichage mécanique local avec les exigences de l'industrie concernant la transmission de signal électrique et un enregistrement moderne de valeurs de mesure.

Les variations de la température ambiante agissant sur le boîtier sont compensées par un élément bimétal monté entre le mouvement et le tube de mesure.

Echelles de mesure pour la classe de précision 1 selon EN 13190
entre -200 ... +700 °C

2.3 Détail de la livraison

Comparer le détail de la livraison avec le bordereau de livraison.

3. Sécurité

3.1 Explication des symboles



AVERTISSEMENT !

... indique une situation présentant des risques susceptibles de provoquer la mort ou des blessures graves si elle n'est pas évitée.

FR



ATTENTION !

... indique une situation potentiellement dangereuse et susceptible de provoquer de légères blessures ou des dommages pour le matériel et pour l'environnement si elle n'est pas évitée.



DANGER !

... indique les dangers liés au courant électrique. Danger de blessures graves ou mortelles en cas de non respect des consignes de sécurité.



AVERTISSEMENT !

... indique une situation en zone explosive présentant des risques susceptibles de provoquer la mort ou des blessures graves si elle n'est pas évitée.



AVERTISSEMENT !

... indique une situation présentant des risques susceptibles de provoquer des brûlures dues à des surfaces ou liquides chauds si elle n'est pas évitée.



Information

... met en exergue les conseils et recommandations utiles de même que les informations permettant d'assurer un fonctionnement efficace et normal.

3.2 Utilisation conforme à l'usage prévu

Les thermomètres avec signal de sortie combinent un système de mesure mécanique avec un traitement de signal électronique et sont utilisés pour contrôler les valeurs de process ainsi que pour la surveillance d'installations dans des applications industrielles.

Utiliser l'instrument uniquement dans des applications qui se trouvent dans les limites de ses performances techniques (par exemple limites de température, compatibilité de matériau, ...).

→ Pour les limites de performance voir chapitre 10 "Spécifications"

Ces instruments sont conçus et construits exclusivement pour une utilisation conforme à l'usage prévu décrit ici, et ne doivent être utilisés qu'à cet effet.

Aucune réclamation ne peut être recevable en cas d'utilisation non conforme à l'usage prévu.

3.3 Utilisation inappropriée



AVERTISSEMENT !

Blessures causées par une utilisation inappropriée

Une utilisation inappropriée peut conduire à des situations dangereuses et à des blessures.

- ▶ S'abstenir de modifications non autorisées sur l'instrument
- ▶ Ne pas utiliser l'instrument avec un fluide abrasif ou visqueux.

Toute utilisation différente ou au-delà de l'utilisation prévue est considérée comme inappropriée.

3. Sécurité

3.4 Responsabilité de l'opérateur

L'instrument est prévu pour un usage dans le domaine industriel. L'opérateur est de ce fait responsable des obligations légales en matière de sécurité du travail.

Les instructions de sécurité de ce mode d'emploi comme les réglementations liées à la sécurité, à la prévention des accidents et à la protection de l'environnement pour le domaine d'application doivent être respectées.

FR

L'opérateur doit s'assurer que la plaque signalétique reste lisible.

Afin de travailler en toute sécurité sur l'instrument, la société exploitante doit s'assurer

- qu'un équipement de premier secours adapté est disponible et que les premiers soins peuvent être dispensés sur place à tout moment en cas de besoin.
- que le personnel de service reçoit à intervalles réguliers des instructions relatives à toutes les questions pertinentes concernant la sécurité du travail, les premiers secours et la protection de l'environnement et qu'il connaît le mode d'emploi et particulièrement les consignes de sécurité contenues dans celui-ci.
- que l'instrument est adapté à l'application en respect de l'usage prévu de l'instrument.
- qu'un équipement de protection est disponible.



Sur les parties en contact avec le fluide, de petites quantités résiduelles de fluide de réglage (par exemple air comprimé, eau, huile) peuvent adhérer, provenant de la production. Avec les exigences accrues concernant la propreté technique, l'opérateur doit vérifier l'aptitude pour l'application avant la mise en service.

3.5 Qualification du personnel



AVERTISSEMENT !

Danger de blessure en cas de qualification insuffisante !

Une utilisation non conforme peut entraîner d'importants dommages corporels et matériels.

- Les opérations décrites dans ce mode d'emploi ne doivent être effectuées que par un personnel ayant la qualification décrite ci-après.

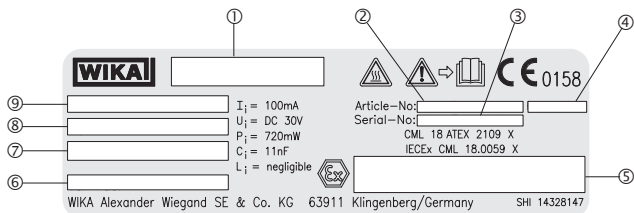
3. Sécurité

3.6 Personnel qualifié

Le personnel qualifié est, en raison de sa formation spécialisée, de ses connaissances dans le domaine de la technique de mesure et de régulation et de ses expériences de même que de sa connaissance des prescriptions nationales, des normes et directives en vigueur, en mesure d'effectuer les travaux décrits et de reconnaître automatiquement les dangers potentiels.

3.7 Etiquetage, marquages de sécurité

FR



- ① Type + transmetteurs électroniques
- ② Numéro d'article
- ③ Numéro de série
- ④ Date de fabrication (mois/année)
- ⑤ Marquage Ex
- ⑥ Remplissage de boîtier
- ⑦ Tension d'alimentation
- ⑧ Signal de sortie
- ⑨ Echelle de mesure



Lire impérativement le mode d'emploi avant le montage et la mise en service de l'instrument !



Danger de brûlure !

Situation présentant des risques dus à des surfaces chaudes.

3.8 Marquage Ex



DANGER !

Danger de mort dû à la perte de la protection contre les explosions

Le non respect de ces instructions et de leurs contenus peut entraîner une perte de la protection contre les explosions.

- ▶ Observer les instructions de sécurité de ce chapitre et les autres instructions liées à la protection contre les explosions de ce mode d'emploi.
- ▶ Respecter les indications de l'attestation d'examen de type valable de même que les prescriptions nationales respectives concernant le montage et l'utilisation en zone explosive (par exemple CEI 60079-14, NEC, CEC).

Contrôler que la classification est adaptée à l'application. Observer les réglementations nationales concernées.

ATEX

IECEx

II 2G Ex ia IIC T6/T5/T4 Gb

II 2D Ex ia IIIB T85°C /T100°C/T135°C Db

3.9 Spécifications et limites de température

Indice de protection selon CEI/EN 60529

Pour des informations sur l'indice de protection de chaque instrument, voir chapitre 10 "Spécifications". Pour l'évaluation IECEx, un indice de protection de IP20 a été présumé.

Plages de températures admissibles

Pour déterminer la température maximale sur l'instrument, outre la température du fluide, d'autres influences telles que la température ambiante et, le cas échéant, le rayonnement solaire doivent être prises en compte.

3. Sécurité

Zones de gaz explosifs

Classe de température requise (température d'ignition)	Plage de température admissible sur l'instrument
T6	-20 ... +45 °C
T5	-20 ... +60 °C
T4 ... T1	-20 ... +60 °C, (+70 °C en option)

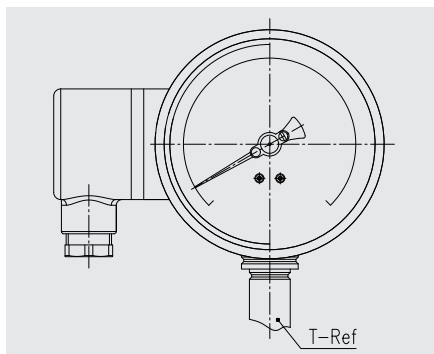
Zones de poussière explosifs

Température de surface maximale	Plage de température admissible sur l'instrument
T85 °C	-20 ... +45 °C
T100 °C	-20 ... +60 °C
T135 °C	-20 ... +60 °C, (+70 °C en option)

FR

L'installation doit être faite de telle sorte que la plage de température de l'instrument, compte tenu également des effets de convection et de rayonnement thermique, ne dépasse ni ne tombe au-dessous des limites admissibles.

L'opérateur doit assurer la conformité avec la plage de température admissible lors du fonctionnement. La zone indiquée dans l'image suivante "T-Ref" peut être utilisée dans ce but.



3.10 Conditions spécifiques pour une utilisation sûre (conditions X)

- 1) La classe de température et la température maximale ambiante admissible dépendent des options installées dans les installations et peuvent ne pas être marquées sur la plaque signalétique. L'utilisateur se référera à ce certificat et aux instructions du matériel pour obtenir des détails concernant la classe de température applicable et la plage de température ambiante.
- 2) L'utilisateur doit considérer le fait que la chaleur peut être transportée le long du capteur de mesure et que l'équipement ne doit pas dépasser la température ambiante maximale admissible. Pour plus d'informations, se référer au mode d'emploi.
- 3) L'équipement peut contenir un câble intégral. L'utilisateur devra vérifier que, lorsqu'il est installé, le câble est bien mis en place et protégé contre tout dommage mécanique.
- 4) Pour les applications de Groupe III, dans certaines circonstances extrêmes, le revêtement non-métallique du boîtier de l'équipement peut générer un niveau de charge électrostatique capable de provoquer une ignition. C'est pourquoi l'équipement ne doit pas être installé dans un endroit où les conditions extérieures provoquent la formation de charges électrostatiques sur de telles surfaces. L'utilisateur ou l'installateur doit mettre en œuvre des précautions pour empêcher la formation de charges électrostatiques, par exemple placer l'équipement à un endroit où il y a peu de chance qu'un mécanisme créant de telles charges (comme de la poussière emportée par le vent) soit présent et nettoyer avec un chiffon humide.

4. Transport, emballage et stockage

4. Transport, emballage et stockage

4.1 Transport

Vérifier s'il existe des dégâts sur l'instrument liés au transport.
Communiquer immédiatement les dégâts constatés.



ATTENTION !

Dommages liés à un transport inapproprié

Un transport inapproprié peut donner lieu à des dommages importants.

- ▶ Lors du déchargement des colis à la livraison comme lors du transport des colis en interne après réception, procéder avec précaution et respecter les symboles sur l'emballage.
- ▶ Lors du transport en interne, observer les instructions du chapitre 4.2 "Emballage et stockage".

4.2 Emballage et stockage

N'enlever l'emballage qu'avant le montage.

Conserver l'emballage, celui-ci offre, lors d'un transport, une protection optimale (par ex. changement de lieu d'utilisation, renvoi pour réparation).

Conditions admissibles sur le lieu de stockage :

Température de stockage

- Sans liquide amortisseur : -50 ... +70 °C (EN 13190)
- Avec liquide amortisseur : -40 ... +70 °C (EN 13190)

Eviter les influences suivantes :

- Lumière solaire directe ou proximité d'objets chauds
- Vibrations mécaniques, chocs mécaniques (mouvements brusques en le posant)
- Suie, vapeur, poussière et gaz corrosifs
- Environnements dangereux, atmosphères inflammables

Conserver l'instrument dans l'emballage original dans un endroit qui satisfait aux conditions susmentionnées.



Lorsque le thermomètre est utilisé dans une plage de température près du point de rosée (± 1 °C, près de 0 °C), l'utilisation d'un liquide amortisseur est recommandée.

FR

5. Mise en service, utilisation

5. Mise en service, utilisation

Avant l'installation, la mise en service et le fonctionnement, assurez-vous que le choix de l'instrument est approprié en termes d'échelle de mesure, d'exécution et de conditions de mesure spécifiques.



AVERTISSEMENT !

Blessures physiques et dommages aux équipements et à l'environnement causés par un fluide dangereux

Lors du contact avec un fluide dangereux (par exemple avec des substances inflammables ou toxiques), un fluide nocif (par exemple corrosif, toxique, cancérigène, radioactif), il y a un danger de blessures physiques et de dommages aux équipements et à l'environnement.

En cas d'erreur, des fluides agressifs peuvent être présents à une température extrême et sous une pression élevée au niveau de l'instrument.

- ▶ Pour ces fluides, les codes et directives appropriés existants doivent être observés en plus des réglementations standards.
- ▶ Porter l'équipement de protection requis.

5.1 Raccordement mécanique

Lors du vissage des instruments, le couple de serrage ne doit pas être appliqué sur le boîtier mais seulement sur les surfaces prévues, et ce avec un outil approprié.

Montage avec clé plate



- La tige doit être soumise sur toute sa longueur à la température à mesurer. Ou au moins sur la longueur de la partie active correspondant à la longueur du vase d'expansion de gaz (longueur active).

5. Mise en service, utilisation

- Dans des conduites ou d'autres points de mesure, la sonde de température doit être positionnée le plus possible dans le sens opposé à la direction d'écoulement du fluide.
- Des erreurs de transfert thermique se produisent lorsque la zone de température qui doit être mesurée est trop petite. De ce fait, la masse de la sonde de température représente une capacité thermique. Des erreurs de transfert thermique peuvent aussi apparaître si la profondeur d'insertion est insuffisante, si le support de montage est fixé sur un conducteur thermique (plaques métalliques ou similaires) et s'il existe une différence considérable entre la température de l'élément de mesure et celle de l'élément de fixation.
- Le boîtier d'affichage doit être installé à un endroit exempt de vibrations. Le cas échéant, il est possible d'isoler l'instrument du lieu d'installation en utilisant par exemple un flexible de raccordement entre le point de mesure et le thermomètre et en fixant ce dernier à l'aide d'un support d'instrument mural.

FR

Exigences relatives au point de montage

Si la conduite à l'instrument de mesure n'est pas suffisamment stable, il est recommandé de fixer l'instrument au moyen d'une potence de fixation appropriée. S'il n'est pas possible d'éviter les vibrations par un montage approprié, il convient d'utiliser des instruments remplis. Les instruments doivent être protégés contre un encrassement important et contre les fluctuations de la température ambiante.

Contrainte de vibration admissible sur le point de montage

L'instrument ne doit être installé que dans des endroits exempts de vibrations. Si nécessaire, il est possible d'isoler l'instrument du lieu d'installation en utilisant par exemple une ligne de raccordement flexible entre le point de mesure et l'instrument et en fixant ce dernier à l'aide d'un support d'instrument mural.

Lorsque cela n'est pas possible, veiller à ce que les valeurs limites suivantes ne soient pas dépassées:

Plage de fréquence < 150 Hz

Accélération < 0,5 g (5 m/s²)

5. Mise en service, utilisation

Le liquide de remplissage doit être contrôlé régulièrement.

Le niveau de remplissage de liquide ne doit pas descendre en-dessous de 75 % du diamètre de l'instrument.

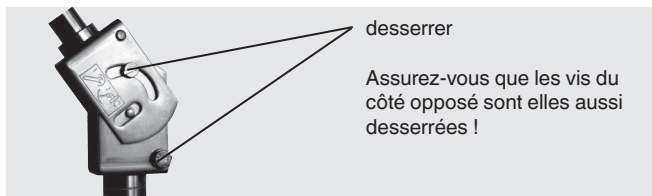
De fortes secousses, des oscillations et / ou des vibrations provoquent des erreurs d'affichage, augmentent l'usure du mouvement ou peuvent occasionner des ruptures aux soudures et brasages.

FR

Lors du montage d'un thermomètre à dilatation de gaz à cadran pivotant et orientable, des prescriptions particulières doivent être observées.

Pour placer l'affichage dans la position requise, il convient de respecter les points suivants :

1. Le contre-écrou ou l'écrou-raccord doit être desserré sur le raccord process.
2. Les boulons et vis doivent être desserrés sur l'articulation pivotante.



3. Positionner l'affichage, serrer les boulons et les vis. Pour finir, serrer le contre-écrou ou l'écrou-chapeau à fond.

5. Mise en service, utilisation

5.2 Raccordement électrique

Les travaux de raccordement électrique ne doivent être effectués que par des personnes qualifiées. L'instrument est à inclure dans la compensation de potentiel de l'installation.

→ Pour les données de performance, voir chapitre 10 "Spécifications"

Le raccordement électrique du transmetteur est opéré par un connecteur coudé. La configuration du raccordement exacte se trouve dans le dessin ci-dessous. En outre, la distribution des plots, le signal de sortie et l'alimentation électrique sont marqués sur la plaque signalétique du produit.

Tension d'alimentation

L'appareil ne doit être utilisé qu'en combinaison avec une alimentation de répéteur Ex appropriée.

Séparateur d'alimentation Ex approprié :

Type KFD2-STC4-Ex1, 20 ... 35 VDC, pour rail DIN

N° de commande : 2341268

Consignes de sécurité pour l'installation

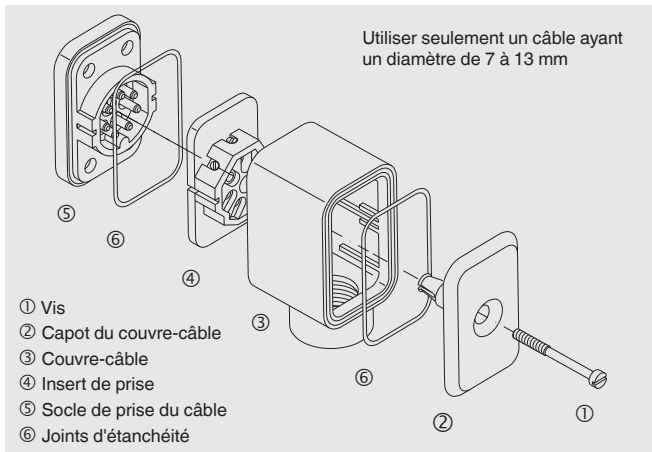
- Installer les instruments conformément aux instructions du fabricant et aux normes et réglementations en vigueur.
- Ne raccorder que des circuits ayant la même tension et le même type de protection aux câbles de raccordement de l'instrument.
- Déterminer la taille des câbles de raccordement pour la plus grande intensité de courant électrique dans les circuits et s'assurer que la résistance aux rayons UV et aux contraintes mécaniques soit suffisante.
- Pour les câbles de raccordement flexibles, utiliser des embouts isolés. Section de conducteur max. admissible 1,5 mm².
- Les câbles de raccordement doivent être conformes à la plage de température ambiante de l'application.
- Les câbles de raccordement doivent également être adaptés au presse-étoupe fourni (gamme de diamètres voir ci-dessous).
- Sceller l'entrée de câble avec les presse-étoupes homologués adéquats.
- Installer les câbles de raccordement en toute sécurité.
- Le thermomètre à dilatation de gaz avec encodeur rotatif intégré doit être mis à la terre par le boîtier du thermomètre et par la borne de terre dans le connecteur coudé.

FR

5. Mise en service, utilisation

Démontage du boîtier de raccordement

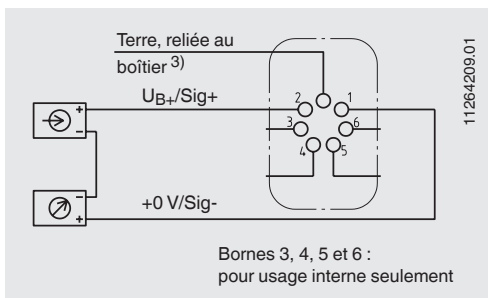
Le boîtier de raccordement est pré-installé et doit être démonté comme décrit ci-dessous.



- Desserrer complètement les vis du capot du couvre-câble avec un tournevis à fente (0,6 x 3,5 mm) et les retirer.
- Retirez le cache-câble ainsi que l'insert de prise de la plaque de base de la prise de câble (reliée en permanence à l'appareil).
- Retirer le capot du cache-câble et pousser l'insert de prise complètement vers l'extérieur, vers le bas, à travers le cache-câble.

5. Mise en service, utilisation

Configuration du boîtier de raccordement



Câble	Connecteur	Configuration
rouge	Broche 1	$U_{B+}/I+$
noir	Broche 4	$0\text{ V}/I-$
marron	Broche 2	n.r.
- - -	Broche 3	n.c.

Explication de la distribution des bornes utilisées :

U_{B+} Borne positive de la tension d'alimentation

0 V Borne négative de la tension d'alimentation

Sig+ Borne positive du signal de sortie

Sig- Borne négative du signal de sortie

Les instruments sont à inclure dans la compensation de potentiel de l'installation.

Affectation des bornes de connexion

Les bornes 1 et 2 sont les bornes de connexion respectivement pour la sortie de signal et l'alimentation électrique. La borne étiquetée PE (protective earth, conducteur de protection) est connectée au boîtier de manière interne. Les raccordements 3 à 6, ou 4 à 6 sur la version à 3 fils doivent être laissés libres et ne doivent pas être utilisés comme points d'appui (voir aussi chapitre 10 "Spécifications").

5. Mise en service, utilisation

5.3 Utilisation de doigts de gant

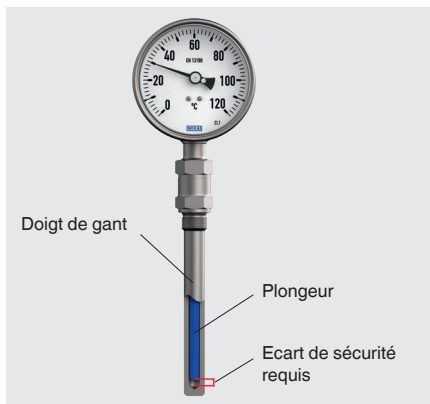


ATTENTION !

Dommages dus à une manipulation incorrecte

Lors de l'utilisation des doigts de gants, veiller à ce que le tube plongeur ne touche pas le fond du doigt de gant, en raison des différents coefficients d'extension des matériaux, il y a risque de déformation du tube plongeur sur le fond du doigt de gant.

- Utiliser la longueur utile correcte (pour la formule de calcul de la longueur d'insertion l_1 , voir la fiche technique du doigt de gant correspondant).



5.4 Fluide de contact thermique

En cas d'utilisation de doigts de gants, il convient de réduire au maximum la résistance de transmission de la chaleur entre la paroi extérieure du capteur et la paroi intérieure du doigt de gant en ajoutant un agent de contact thermique. La température de service de la pâte thermique est de -40 ... +200 °C.



AVERTISSEMENT !

Blessures physiques et dommages matériels dus à des projections d'huile

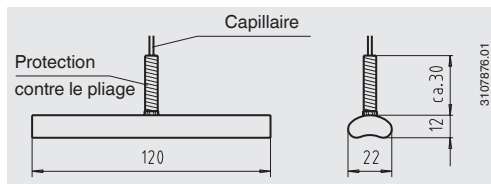
Lorsque l'on verse un fluide de contact thermique dans un doigt de gant chaud, il y a un danger de blessures physiques et de dommages matériels dus à des projections d'huile.

- ▶ Ne pas verser dans des doigts de gant chauds

FR

6. Instructions de montage pour le bulbe de contact

Le bulbe de contact est destiné aux montages sur tuyauteries ou cuves. Lors du montage de ce type de thermomètre, il faut s'assurer que le bulbe est en contact avec le point de mesure sur toute sa longueur. Pour obtenir un résultat de mesure parfait, il est essentiel de maintenir un bon contact thermique entre le bulbe de contact et la paroi extérieure de la cuve ou de la tuyauterie avec une déperdition thermique minimale dans l'environnement provenant du bulbe de contact et du point de mesure.



6. Instructions de montage pour le bulbe de contact

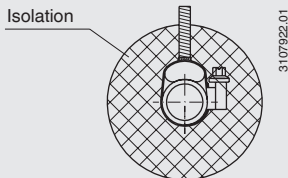
6.1 Montage sur tuyauteries

La géométrie du bulbe de contact a été conçue pour des tuyaux ayant des diamètres externes entre 20 et 160 mm. Pour fixer le bulbe de contact sur la tuyauterie, des clamps d'installation suffisent.

Le bulbe de contact doit avoir un contact métallique direct avec le point de mesure et avoir un contact

ferme avec la surface du tuyau. Lorsque des températures inférieures à 200 °C sont attendues, un composé thermique peut être utilisé pour optimiser la transmission de chaleur entre le bulbe de contact et la tuyauterie. Le point d'installation doit être isolé pour éviter des erreurs dues à la déperdition de chaleur. Cette isolation doit avoir une résistance à la température suffisante et ne fait pas partie de la livraison.

Pince d'installation pour tuyauterie



FR

6.2 Montage sur cuves

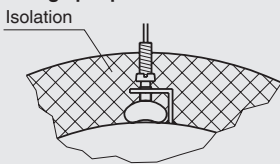
La géométrie du bulbe de contact a été conçue pour des cuves ayant un rayon externe allant jusqu'à 80 mm.

Si le point de montage du bulbe de contact sur la cuve a un rayon externe dépassant 80 mm, nous recommandons l'utilisation d'une pièce intermédiaire conçue pour le diamètre de la cuve en question,

fabriquée dans un matériau ayant une bonne conductivité thermique.

Le bulbe de contact peut être fixé sur la cuve au moyen d'une potence angulaire avec des vis de blocage, ou toute méthode similaire. Le bulbe de contact devra avoir un contact métallique direct avec la surface de la cuve.

Montage par potence de fixation



Si des températures inférieures à 200 °C sont attendues, un composé thermique peut être utilisé pour optimiser la transmission de chaleur entre le bulbe de contact et la tuyauterie. Le point d'installation doit être isolé pour éviter des erreurs dues à la déperdition de chaleur. Cette isolation doit avoir une résistance à la température suffisante et ne fait pas partie de la livraison.

7. Dysfonctionnements

7. Dysfonctionnements



DANGER !

Danger d'explosion mortelle

Le travail en atmosphère inflammable peut donner lieu à une explosion avec risque de mort.

- ▶ Rectifier les défauts uniquement en atmosphères non-inflammables !



ATTENTION !

Blessures physiques, dommages aux équipements et à l'environnement

Si les défauts ne peuvent pas être éliminés au moyen des mesures listées, l'instrument doit être mis hors service immédiatement.

- ▶ S'assurer que la pression ou le signal n'est plus présent et protéger contre une mise en service accidentelle.
- ▶ Contacter le fabricant.
- ▶ S'il est nécessaire de retourner l'instrument au fabricant, prière de respecter les indications mentionnées au chapitre 9.2 "Retour".



AVERTISSEMENT !

Blessures physiques et dommages aux équipements et à l'environnement causés par un fluide dangereux

Lors du contact avec un fluide dangereux (par ex. oxygène, acétylène, substances inflammables ou toxiques), un fluide nocif (par ex. corrosif, toxique, cancérigène, radioactif), et également avec des installations de réfrigération et des compresseurs, il y a un danger de blessures physiques et de dommages aux équipements et à l'environnement.

En cas d'erreur, des fluides agressifs peuvent être présents à une température extrême et sous une pression élevée ou sous vide au niveau de l'instrument.

- ▶ Pour ces fluides, les codes et directives appropriés existants doivent être observés en plus des réglementations standards.
- ▶ Porter l'équipement de protection requis.



Pour le détail des contacts, merci de consulter le chapitre 1 "Généralités" ou le dos du mode d'emploi.

FR

7. Dysfonctionnements / 8. Entretien et nettoyage

Dysfonctionnements	Raisons	Mesures
Pas de signal de sortie	Pas de tension d'alimentation ou rupture de câble	Vérifier la tension d'alimentation et les câbles. Remplacer tout composant défectueux
	Transmetteur mal raccordé	Vérifier les connexions ; les corriger si nécessaire
	Défaillance de l'électronique due à une tension d'alimentation trop élevée ou à une tension externe	Renvoyer l'instrument de mesure au fabricant pour réparation
Signal de sortie trop élevé constant après une variation de température	Tension d'alimentation mal branchée (I = 0 mA environ)	Vérifier le raccordement, et échanger les bornes 1 et 2 si nécessaire
	Transmetteur défectueux	Renvoyer l'instrument de mesure au fabricant pour réparation
Signal de sortie trop élevé constant après une variation de température	Défaillance de l'électronique due à une tension d'alimentation trop élevée ou à une tension externe	Renvoyer l'instrument de mesure au fabricant pour réparation
Echelle de signaux trop petite	Tension d'alimentation trop faible	Corriger la tension d'alimentation
	Charge trop élevée	Rester dans la plage de charge maximale admissible

Pour le remplacement de l'instrument, se référer aux chapitres 9 "Démontage, retour et mise au rebut" et 5 "Mise en service, utilisation".

8. Entretien et nettoyage

8.1 Entretien

Les instruments ne requièrent aucun entretien.

Un contrôle de l'affichage et de la fonction de commutation est recommandé 1 à 2 fois/an. Pour ce faire, il est possible de débrancher l'instrument du process et de le contrôler avec un calibrateur de température.

8. Entretien et nettoyage

Test d'instruments remplis de liquide

Pour des instruments remplis, le niveau de remplissage doit être contrôlé une ou deux fois par an. Le niveau de remplissage de liquide ne doit pas descendre en-dessous de 75 % du diamètre de l'instrument.



AVERTISSEMENT !

Danger de mort dû au remplissage ou au re-remplissage non autorisés de l'instrument avec perte de la protection contre les explosions

Le remplissage ou le re-remplissage d'instruments par du personnel non autorisé conduit à une perte de la protection contre les explosions et peut provoquer des dommages sur l'instrument.

- ▶ Une réparation des instruments ne peut être effectuée que par des instances autorisées.
- ▶ S'il est nécessaire de retourner l'instrument au fabricant, prière de respecter les indications mentionnées au chapitre 9.2 "Retour".

Les réparations ne doivent être effectuées que par le fabricant.

8.2 Nettoyage



ATTENTION !

Blessures physiques, dommages aux équipements et à l'environnement

Un nettoyage inapproprié peut conduire à des blessures physiques et à des dommages aux équipements ou à l'environnement. Les restes de fluides se trouvant dans les instruments démontés peuvent mettre en danger les personnes, l'environnement ainsi que l'installation.

- ▶ Effectuer la procédure de nettoyage comme décrit ci-dessous.

1. Avant le nettoyage, débrancher correctement l'instrument de l'alimentation, l'éteindre et le déconnecter du secteur.
2. Utiliser l'équipement de protection requis.
3. Nettoyer l'instrument avec un chiffon humide.
Éviter tout contact des raccordements électriques avec l'humidité !



ATTENTION !

Dommages à l'instrument

Un nettoyage inapproprié peut endommager l'instrument !

- ▶ Ne pas utiliser de détergents agressifs.
- ▶ Ne pas utiliser d'objets pointus ou durs pour le nettoyage.

4. Laver et décontaminer l'instrument démonté afin de protéger les personnes et l'environnement contre le danger lié aux résidus de fluides.

FR

9. Démontage, retour et mise au rebut



AVERTISSEMENT !

Blessures physiques et dommages aux équipements et à l'environnement liés aux résidus de fluides

Les restes de fluides se trouvant dans les instruments démontés peuvent mettre en danger les personnes, l'environnement ainsi que l'installation.

- ▶ Porter l'équipement de protection requis.
- ▶ Observer les informations de la fiche de données de sécurité du fluide correspondant.
- ▶ Laver et décontaminer l'instrument démonté afin de protéger les personnes et l'environnement contre le danger lié aux résidus de fluides.

9.1 Démontage



AVERTISSEMENT !

Danger de brûlures

Durant le démontage, il y a un danger lié à l'échappement de fluides dangereusement chauds.

- ▶ Avant le démontage de l'instrument, le laisser refroidir suffisamment !

9. Démontage, retour et mise au rebut



DANGER !

Danger vital à cause du courant électrique

Lors du contact avec des parties sous tension, il y a un danger vital direct.

- ▶ Le démontage de l'instrument ne doit être effectué que par du personnel qualifié.
- ▶ Retirer l'instrument une fois que le système a été isolé des sources d'énergie.



AVERTISSEMENT !

Risque de blessures physiques lors du démontage, le danger peut provenir de fluides agressifs et de pressions élevées.

- ▶ Observer les informations de la fiche de données de sécurité du fluide correspondant.
- ▶ Démontez l'instrument hors pression.

FR

Si nécessaire, la conduite ou la cuve doit avoir un dispositif de détente. Sur les manomètres à membrane, les vis de tension des brides supérieures et inférieures ne doivent pas être desserrées.

9.2 Retour

En cas d'envoi de l'instrument, il faut respecter impérativement ceci :

Tous les instruments livrés à WIKA doivent être exempts de substances dangereuses (acides, bases, solutions, etc.) et doivent donc être nettoyés avant d'être retournés.



AVERTISSEMENT !

Blessures physiques et dommages aux équipements et à l'environnement liés aux résidus de fluides

Les restes de fluides se trouvant dans les instruments démontés peuvent mettre en danger les personnes, l'environnement ainsi que l'installation.

- ▶ Avec les substances dangereuses, inclure la fiche technique de sécurité de matériau pour le fluide correspondant.
- ▶ Nettoyer l'instrument, voir chapitre 8.2 "Nettoyage".

Pour retourner l'instrument, utiliser l'emballage original ou un emballage adapté pour le transport.



Des informations relatives à la procédure de retour sont disponibles sur notre site Internet à la rubrique "Services".

9.3 Mise au rebut

Une mise au rebut inadéquate peut entraîner des dangers pour l'environnement. Éliminer les composants des instruments et les matériaux d'emballage conformément aux prescriptions nationales pour le traitement et l'élimination des déchets et aux lois de protection de l'environnement en vigueur.



Ne pas mettre au rebut avec les ordures ménagères. Assurer une mise au rebut correcte en conformité avec les réglementations nationales.

FR

10. Spécifications



DANGER !

Danger de mort dû à la perte de la protection contre les explosions

Le non-respect des instructions pour utilisation en zones explosives peut conduire à la perte de la protection contre les explosions.

- ▶ Correspondre aux valeurs limites et instructions suivantes.
- ▶ Le boîtier contient des pièces fabriquées dans un matériau non-métallique qui pourraient être affectées de manière négative par les conditions ambiantes. Il faut s'assurer que les pièces non-métalliques ne sont pas endommagées en raison des conditions environnantes.

Pièces non-métalliques du boîtier

PUR, TPU, PA 6, EPDM, NBR (option), FMQ (option)

10. Spécifications

10.1 Raccordement électrique

Boîtier de raccordement standard

Boîtier de raccordement du câble, placé à droite du boîtier.

Matériau: PA 6, noir

Selon groupe d'isolation VDE 0110 C/250 V

Presse-étoupe M20 x 1,5 (tourné vers le bas) avec décharge de traction
6 bornes à vis + PE pour section transversale du conducteur de 1,5 mm²

Sortie câble

Longueur de câble 2 m ou 5 m, tourné vers le bas et vers la droite

Matériau : PVC

Connecteur miniature

Connecteur miniature M8 x 1 (4 broches)

FR

10.2 Electronique de transmetteur pour zones explosives

Type 892.44

Signal de sortie	Exécution 2 : 4 ... 20 mA, 2 fils, pour zones explosives
Tension d'alimentation U_B	14 ... 30 VDC
Influence de la tension d'alimentation	$\leq 0,1$ % de la pleine échelle/10 V
Ondulation résiduelle admissible de U_B	≤ 10 % ss
Charge maximale admissible R_A	$R_A \leq (U_B - 12 \text{ V})/0,02 \text{ A}$ avec R_A en ohms et U_B en volts, quoi qu'il en soit max. 600 Ω
Effet de charge	$\leq 0,1$ % de la pleine échelle
Stabilité à long terme de l'électronique	$< 0,3$ % de la pleine échelle par an
Signal de sortie électrique	≤ 1 % de l'étendue de mesure
Erreur linéaire	≤ 1 % de l'étendue de mesure (méthode des bornes)
Résolution	0,13 % de la pleine échelle (résolution 10 bits à 360°)
Taux de rafraîchissement (fréquence de mesure)	600 ms

10. Spécifications

Valeurs techniques de sécurité maximales

U_i	I_i	P_i	C_i	L_i
30 VDC	100 mA	720 mW	11 nF	négligeable

Pour plus d'informations, voir l'annexe : "Déclaration de conformité UE"

10.3 Thermomètre à dilatation de gaz avec signal de sortie électrique

FR

Thermomètre à dilatation de gaz type TGT73

Élément de mesure	Système à dilatation de gaz inerte
Diamètre	<ul style="list-style-type: none">■ 100■ 160
Version de l'instrument	<ul style="list-style-type: none">■ Plongeur arrière■ Raccord vertical■ Plongeur arrière, boîtier orientable et inclinable■ Instruments avec capillaire
Classe de précision	Classe 1 selon EN 13190 à 23 °C ±10 °C température ambiante
Plage de travail	
Fonctionnement continu (1 an)	Etendue de mesure (EN 13190)
Pontuellement (max. 24 h)	Echelle de mesure (EN 13190)
Matériaux en contact avec le fluide	
Raccord process	Acier inox 304SS
Plongeur	Acier inox 316SS
Matériaux non en contact avec le fluide	
Boîtier, lunette	Acier inox 304SS
Cadran	Aluminium, blanc, inscriptions en caractère noir
Aiguille	Aluminium, noir, aiguille réglable
Indice de protection selon CEI/EN 60529	IP65
Température ambiante admissible	-20 ... +60 °C [-4 ... +140 °F] sans/avec liquide amortisseur

10. Spécifications

Données électriques

Tension d'alimentation U_B	
4 ... 20 mA (Ex)	$14 \leq U_B \leq 30$ VDC
Influence de la tension d'alimentation	$\leq 0,1$ % de la pleine échelle/10 V
Ondulation résiduelle admissible	≤ 10 % ss
Charge maximale admissible R_A	$R_A \leq (U_B - 12 \text{ V})/0,02 \text{ A}$ avec R_A en Ω et U_B en V, quoi qu'il en soit max. 600 Ω
Effet de charge	$\leq 0,1$ % de l'échelle
Signal de sortie	4 ... 20 mA, 2 fils, passif
Valeurs techniques de sécurité maximales	
Tension d'alimentation U_i	max. 30 VDC
Courant de court-circuit I_i	max. 100 mA
Puissance P_i	max. 0,72 W
Capacité interne C_i	12 nF
Conductivité interne L_i	négligeable
Taux d'échantillonnage du capteur	600 ms
Erreur linéaire	$\leq 1,0$ % de l'échelle (méthode des bornes)
Précision du signal de sortie	0,2 % de la gamme (seulement pour l'électronique)
Résolution	0,15 % de la gamme (résolution 10 bits à 360°)
Taux de rafraîchissement (fréquence de mesure)	$> 1/s$
Signal d'entrée, angle de rotation	0 ... 270 \angle °
Stabilité à long terme de l'électronique	$< 0,3$ % de la pleine échelle/a
Erreur de température de l'électronique	$< 0,3$ % de la valeur pleine échelle/10 K (sur la plage de température totale)
Durée de préchauffage	≤ 5 mn

FR

10. Spécifications

Données électriques

Raccordement électrique

Par connecteur coudé, pivotant sur 180°, maximum 1,5 mm², protection de fil, presse-étoupe M20 x 1,5, diamètre extérieur du câble 7 ... 13 mm, y compris la détente des contraintes

Affectation des bornes de connexion en fonction de la version du signal de sortie

Type	
1	4 ... 20 mA GND
2	I+
3	réservé
4	réservé
5	réservé
6	réservé

FR

Pour de plus amples spécifications, voir la fiche technique WIKA TV 17.10 et la documentation de commande.



EU-Konformitätserklärung EU Declaration of Conformity

Dokument Nr.: 14336003.01
Document No.:

Wir erklären in alleiniger Verantwortung, dass die mit CE gekennzeichneten Produkte
We declare under our sole responsibility that the CE marked products

Type Designation: TGT73.1x0 mit Option / with option +892.44 ⁽¹⁾
TGS55.1x0 mit Option / with option +831 oder / or +831-* ⁽¹⁾
TGS73.1x0 mit Option / with option +831 oder / or +831-* ⁽¹⁾

Description: Thermometer mit elektrischem Ausgang
Temperature gauges with electrical output

gemäß gültigen Datenblättern:
according to the valid data sheets: TV 17.10, TV 25.01, TV 27.01

die wesentlichen Schutzanforderungen der folgenden Richtlinien erfüllen:
comply with the essential protection requirements of the directives: Harmonisierte Normen:
Harmonized standards:

2011/65/EU	Gefährliche Stoffe (RoHS) Hazardous substances (RoHS)	EN 50581:2012
2014/30/EU	Elektromagnetische Verträglichkeit (EMV) Electromagnetic Compatibility (EMC)	EN 61326-1:2013 ⁽²⁾ EN 61326-2-3:2013 ⁽²⁾ EN 60947-5-2:2007 +A1:2012 ⁽³⁾ EN 60947-5-6:2000 ⁽³⁾
2014/34/EU	Explosionsschutz (ATEX) ⁽⁴⁾ Explosion protection (ATEX) ⁽⁴⁾	EN 60079-0:2012 +A11:2013 EN 60079-11:2012



II 2G Ex ia IIC T6/T5/T4 Gb
II 2D Ex ia IIB T85°C/T95°C/T100°C/T135°C Db

(1) x Nenngröße (NG): 0 = 100 mm / 6 = 160 mm
x Nominal size (NS):

* Optionen für Schaltkontakte (modellabhängig): N / SN / 3.5N / 3.5SN / 3.5SN1
* Options for switches (depending on model):

(2) Für Modelle mit der Option: +892.44
For models with the option:

(3) Für Modelle mit mindestens einer der Optionen: +831, +831-*
For models with at least one of the options:

(4) EU-Baumusterprüfbescheinigung CML 18ATEX2109X von CML B.V., Amsterdam (Reg.-Nr. 2776).
EU type-examination certificate CML 18ATEX2109X of CML B.V., Amsterdam (Reg. no. 2776).

Unterzeichnet für und im Namen von / Signed for and on behalf of

WIKAI Alexander Wiegand SE & Co. KG

Klingenberg, 2019-06-17

Alfred Häfner, Vice President
Process Instrumentation Pressure

Dr. Michael Glombitza, Head of Quality Management
Process Instrumentation Pressure

WIKAI Alexander Wiegand SE &
Co. KG
Alexander-Wiegand-Straße 30
63911 Klingenberg
Germany

Tel +49 9372 132-0
Fax +49 9372 132-405
E-Mail info@wika.de
www.wika.de

Kommanditgesellschaft: Sitz Klingenberg –
Amtsgericht Aschaffenburg HRA 1819

Komplementärin:
WIKAI International SE - Sitz Klingenberg –
Amtsgericht Aschaffenburg HRB 10505
Vorstand: Alexander Wiegand
Vorsitzender des Aufsichtsrats: Dr. Max Egli

16AR-02239

FR

Contenido

1. Información general	107
2. Diseño y función	108
2.1 Resumen	108
2.2 Descripción	108
2.3 Alcance del suministro	109
3. Seguridad	110
3.1 Explicación de símbolos	110
3.2 Uso conforme a lo previsto	111
3.3 Uso incorrecto	111
3.4 Responsabilidad del usuario	112
3.5 Cualificación del personal	112
3.6 Personal especializado	113
3.7 Rótulos, marcajes de seguridad	113
3.8 Marcaje Ex	114
3.9 Especificación y límites de temperatura	114
3.10 Condiciones especiales para un uso seguro (X-Conditions)	116
4. Transporte, embalaje y almacenamiento	117
4.1 Transporte	117
4.2 Embalaje y almacenamiento	117
5. Puesta en servicio, funcionamiento	118
5.1 La conexión mecánica.	118
5.2 Conexión eléctrica	121
5.3 Utilización de vainas	124
5.4 Agentes de contacto térmico	124

6. Instrucciones de montaje para la sonda de contacto	125
6.1 Montaje en tubería	126
6.2 Montaje en depósitos	126
7. Errores	127
8. Mantenimiento y limpieza	128
8.1 Mantenimiento	128
8.2 Limpieza	129
9. Desmontaje, devolución y eliminación de residuos	130
9.1 Desmontaje	130
9.2 Devolución	131
9.3 Eliminación de residuos	132
10. Datos técnicos	132
10.1 Conexión eléctrica	133
10.2 Electrónica de transmisores para zonas Ex	133
10.3 Termómetros de dilatación de gas con señal de salida eléctrica	134
Anexo: Declaración de conformidad UE	137

Declaraciones de conformidad puede encontrar en www.wika.es.

1. Información general

1. Información general

- El termómetro de dilatación de gas intelliTHERM modelo TGT73 descrito en el manual de instrucciones está construido y fabricado según el estado actual de la técnica. Todos los componentes están sujetos a rigurosos criterios de calidad y medio ambiente durante la producción. Nuestros sistemas de gestión están certificados según ISO 9001 e ISO 14001.
- Este manual de instrucciones proporciona indicaciones importantes acerca del manejo del instrumento. Para un trabajo seguro, es imprescindible cumplir con todas las instrucciones de seguridad y manejo indicadas.
- Cumplir siempre las normativas sobre la prevención de accidentes y las normas de seguridad en vigor en el lugar de utilización del instrumento.
- El manual de instrucciones es una parte integrante del instrumento y debe guardarse en la proximidad del mismo para que el personal especializado pueda consultarlo en cualquier momento.
- El personal especializado debe haber leído y entendido el manual de instrucciones antes de comenzar cualquier trabajo.
- El fabricante queda exento de cualquier responsabilidad en caso de daños causados por un uso no conforme a la finalidad prevista, la inobservancia del presente manual de instrucciones, un manejo por personal insuficientemente cualificado así como una modificación no autorizada del instrumento.
- Se aplican las condiciones generales de venta incluidas en la documentación de venta.
- Modificaciones técnicas reservadas.
- Para obtener más informaciones consultar:
 - Página web: www.wika.es
 - Hoja técnica correspondiente: TV 17.10

2. Diseño y función

2. Diseño y función

2.1 Resumen



- ① Caja
- ② Esfera
- ③ Aguja
- ④ Bulbo
- ⑤ Conexión eléctrica con caja de cables

2.2 Descripción

El termómetro de gas está compuesto de bulbo, línea capilar, tubo flexible y transmisor en la caja. Estos componentes forman una unidad. El sistema sensible está relleno con gas inerte.

Una variación de temperatura provoca una variación de la presión interior del bulbo y por lo tanto una deformación del elemento sensible.

2. Diseño y función

Ese movimiento impulsa un movimiento giratorio a través de un mecanismo de medida mecánico (ruedas dentadas). Un imán ubicado en el eje de la aguja gira proporcionalmente con la aguja del instrumento, en función lineal y directa de la temperatura del proceso. El sistema electrónico montado registra el movimiento giratorio del imán en el rango de indicación.

El campo magnético actúa sobre un sensor rotatorio que capta dicha variación en el lado eléctrico sin contacto físico y por lo tanto sin desgaste.

El movimiento rotatorio se convierte en una señal de salida eléctrica. Los componentes electrónicos vienen adaptados a la señal de salida normalizada de 4... 20 mA pasivo desde fábrica. El span de la señal de salida eléctrica corresponde al rango de visualización en la esfera.

Debido a las dos señales eléctricas de salida normalizadas, esta serie de instrumentos puede utilizarse prácticamente en todos los campos de la industria.

El termómetro con transmisor de la serie intelliTHERM reúne todas las ventajas de una indicación mecánica in situ y los combina con el requerimiento de una transmisión de señales eléctrica para un moderno registro de lectura en la industria.

Las variaciones de la temperatura ambiente son despreciables debido a un elemento bimetálico entre el mecanismo de indicación y el muelle que sirve de compensador.

Rangos de indicación en la clase de exactitud 1 según EN 13190
entre -200 ... +700 °C

2.3 Alcance del suministro

Comparar mediante el albarán si se han entregado todas las piezas.

ES

3. Seguridad

3. Seguridad

3.1 Explicación de símbolos



¡ADVERTENCIA!

... señala una situación probablemente peligrosa que puede causar la muerte o lesiones graves si no se evita.



¡CUIDADO!

... señala una situación probablemente peligrosa que puede causar lesiones leves o medianas o daños materiales y del medio ambiente si no se evita.



¡PELIGRO!

... identifica los peligros causados por la corriente eléctrica. Existe riesgo de lesiones graves o mortales si no se observan estas indicaciones de seguridad.



¡ADVERTENCIA!

... indica una situación probablemente peligrosa en una zona potencialmente explosiva que causa la muerte o lesiones graves si no se evita.



¡ADVERTENCIA!

... indica una situación probablemente peligrosa que puede causar quemaduras debido a superficies o líquidos calientes si no se evita.



Información

... marca consejos y recomendaciones útiles así como informaciones para una utilización eficaz y libre de fallos.

3. Seguridad

3.2 Uso conforme a lo previsto

Los termómetros con señal de salida combinan un sistema de medición mecánico con procesamiento electrónico de señales y sirven para controlar y regular valores de procesos, así como para monitorización de instalaciones y conexión de circuitos en aplicaciones industriales.

Utilizar el instrumento únicamente en aplicaciones que están dentro de sus límites de rendimiento técnicos (por ej. límites de temperatura, compatibilidad de materiales, ...).

→ Para límites de rendimiento, véase el capítulo 10 “Datos técnicos”.

El instrumento ha sido diseñado y construido únicamente para la finalidad aquí descrita y debe utilizarse en conformidad a la misma.

No se admite ninguna reclamación debido a una utilización no conforme a lo previsto.

3.3 Uso incorrecto



¡ADVERTENCIA!

Lesiones por uso incorrecto

El uso incorrecto del dispositivo puede causar lesiones graves o la muerte.

- ▶ Abstenerse realizar modificaciones no autorizadas del dispositivo.
- ▶ No utilizar el instrumento para medios abrasivos ni viscosos.

Cualquier uso que no sea el previsto para este dispositivo es considerado como uso incorrecto.

3. Seguridad

3.4 Responsabilidad del usuario

El dispositivo se utiliza en el sector industrial. Por lo tanto, el usuario está sujeto a las responsabilidades legales para la seguridad en el trabajo.

Se debe cumplir las notas de seguridad en este manual de instrucciones, así como la validez de las normas de seguridad de la unidad, de prevención de accidentes y protección del medio ambiente.

El usuario está obligado a mantener la placa de identificación bien legible.

Para realizar un trabajo seguro en el instrumento el propietario ha de asegurarse de que,

- esté disponible un kit de primeros auxilios que siempre esté presente y ayude en caso necesario.
- los operadores reciban periódicamente instrucciones, sobre todos los temas referidos a seguridad de trabajo, primeros auxilios y protección del medio ambiente, y conozcan además el manual de instrucciones y en particular las instrucciones de seguridad del mismo.
- el instrumento sea adecuado de acuerdo con el uso previsto para la aplicación.
- el equipo de protección individual esté disponible.



Pequeñas cantidades del medio de ajuste (p. ej. aire comprimido, agua, aceite) pueden adherirse a las partes del equipo en contacto con el medio. En caso de que aumenten los requisitos técnicos de limpieza, el operador debe comprobar la idoneidad para la aplicación antes de la puesta en servicio.

3.5 Cualificación del personal



¡ADVERTENCIA!

¡Riesgo de lesiones debido a una insuficiente cualificación!

Un manejo no adecuado puede causar considerables daños personales y materiales.

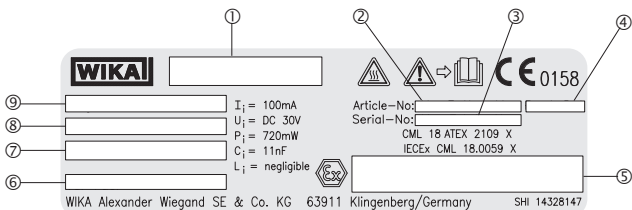
- ▶ Las actividades descritas en este manual de instrucciones deben realizarse únicamente por personal especializado con la consiguiente cualificación.

3. Seguridad

3.6 Personal especializado

Debido a su formación profesional, a sus conocimientos de la técnica de regulación y medición así como a su experiencia y su conocimiento de las normativas, normas y directivas vigentes en el país de utilización el personal especializado es capaz de ejecutar los trabajos descritos y reconocer posibles peligros por sí solo.

3.7 Rótulos, marcajes de seguridad



ES

- ① Modelo + electrónica de transmisores
- ② Código
- ③ Número de serie
- ④ Fecha de fabricación (mes/año)
- ⑤ Marcaje Ex
- ⑥ Relleno de la caja
- ⑦ Alimentación auxiliar
- ⑧ Señal de salida
- ⑨ Rango de indicación



¡Es absolutamente necesario leer el manual de instrucciones antes del montaje y la puesta en servicio del instrumento!



¡Riesgo de quemaduras!

Situación probablemente peligrosa debido a superficies calientes.

3. Seguridad

3.8 Marcaje Ex



¡PELIGRO!

Peligro de muerte debido a la pérdida de la protección contra explosiones

La inobservancia del contenido y de las instrucciones puede originar la pérdida de la protección contra explosiones.

- ▶ Observe las instrucciones de seguridad en este capítulo y otras indicaciones sobre explosiones en este manual de instrucciones.
- ▶ Cumplir las indicaciones del certificado de tipo así como las normativas vigentes en el país de utilización acerca de la instalación y el uso en atmósferas potencialmente explosivas (p. ej. IEC 60079-14, NEC, CEC).

Compruebe idoneidad de la clasificación para la aplicación. Tenga en consideración las respectivas leyes y reglamentos nacionales.

ATEX

IECEx

II 2G Ex ia IIC T6/T5/T4 Gb

II 2D Ex ia IIIB T85°C /T100°C/T135°C Db

3.9 Especificación y límites de temperatura

Tipo de protección según IEC/EN 60529

Para más información sobre el tipo de protección del instrumento respectivo, véase el capítulo 10 "Datos técnicos". Para la evaluación IECEx se ha considerado el tipo de protección IP20.

Rango de temperatura admisible

Para determinar la temperatura máxima en el instrumento se deben tener en cuenta además de la temperatura del medio otros influjos como, p. ej., la temperatura ambiente y en caso dado la irradiación solar.

3. Seguridad

Área clasificada por posible explosión de gas

Clase de temperatura requerida (temperatura de ignición)	Rango de temperatura admisible en el instrumento
T6	-20 ... +45 °C
T5	-20 ... +60 °C
T4 ... T1	-20 ... +60 °C (+70 °C opcional)

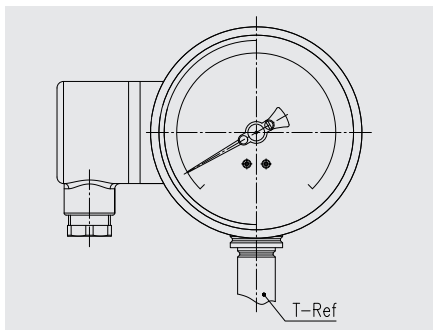
Área clasificada por posible explosión de polvo

Temperatura superficial máxima	Rango de temperatura admisible en el instrumento
T85°C	-20 ... +45 °C
T100°C	-20 ... +60 °C
T135°C	-20 ... +60 °C (+70 °C opcional)

ES

La instalación debe realizarse de tal forma que no se supere el rango de temperatura admisible del instrumento pero tampoco se sitúe por debajo de ella, aún teniendo en cuenta la influencia de convección y radiación térmica.

La empresa operadora garantizará el cumplimiento de la gama de temperaturas admisibles durante el funcionamiento. La zona que se muestra en la siguiente imagen bajo "T-Ref" puede ser utilizada para este propósito.



3. Seguridad

3.10 Condiciones especiales para un uso seguro (X-Conditions)

- 1) La clase de temperatura y la temperatura ambiente máxima admisible dependen de las opciones instaladas en el equipo, y no deben indicarse en la etiqueta del producto. Los detalles de la clase de temperatura aplicable y el rango de temperatura ambiente se encuentran en este certificado y en el manual del equipo.
- 2) El usuario debe asegurarse de que el calor pueda transferirse a lo largo de la sonda y de que el instrumento no supere la temperatura ambiente máxima permitida. Encontrará más información en las instrucciones de manejo.
- 3) El instrumento puede disponer de un cable integrado. Si este es el caso, el usuario debe asegurarse de que esté bien sujeto y protegido contra daños mecánicos.
- 4) En las aplicaciones del Grupo III, el revestimiento no metálico de la caja del instrumento puede generar una carga electrostática inflamable en determinadas condiciones extremas. Por esta razón, el instrumento no debe instalarse en un lugar donde las condiciones externas puedan favorecer la acumulación de carga electrostática en dichas superficies. El usuario/instalador debe tomar precauciones para evitar la acumulación de electricidad estática, por ejemplo, instalando el equipo en un lugar en el que sea improbable que se produzca un mecanismo de generación de carga (por ejemplo, polvo arrastrado por el viento) y limpiando el equipo con un paño húmedo.

ES

4. Transporte, embalaje y almacenamiento

4. Transporte, embalaje y almacenamiento

4.1 Transporte

Comprobar si el instrumento presenta eventuales daños causados en el transporte. Notificar daños obvios de forma inmediata.



¡CUIDADO!

Daños debidos a un transporte inadecuado

Transportes inadecuados pueden causar daños materiales considerables.

- ▶ Tener cuidado al descargar los paquetes durante la entrega o el transporte dentro de la compañía y respetar los símbolos en el embalaje.
- ▶ Observar las instrucciones en el capítulo 4.2 “Embalaje y almacenamiento” en el transporte dentro de la compañía.

ES

4.2 Embalaje y almacenamiento

No quitar el embalaje hasta justo antes del montaje.

Guardar el embalaje ya que es la protección ideal durante el transporte (por ejemplo si el lugar de instalación cambia o si se envía el instrumento para posibles reparaciones).

Condiciones admisibles en el lugar de almacenamiento:

Temperatura de almacenamiento

- Sin líquido de relleno: -50 ... +70 °C (EN 13190)
- Con líquido de relleno: -40 ... +70 °C (EN 13190)

Evitar lo siguiente:

- Luz solar directa o proximidad a objetos calientes
- Vibración mecánica, impacto mecánico (colocación brusca)
- Hollín, vapor, polvo y gases corrosivos
- Entorno potencialmente explosivo, atmósferas inflamables

Almacenar el instrumento en su embalaje original en un lugar que cumple las condiciones arriba mencionadas.



Con temperaturas alrededor del punto de condensación (± 1 °C alrededor de 0 °C) se recomienda siempre el relleno de líquido.

5. Puesta en servicio, funcionamiento

5. Puesta en servicio, funcionamiento

Antes de proceder con el montaje, la puesta en servicio y el funcionamiento asegurarse de que se haya seleccionado el instrumento adecuado en relación con rango de indicación, versión y condiciones de medición específicas.



¡ADVERTENCIA!

Lesiones corporales, daños materiales y del medio ambiente causados por medios peligrosos

En caso de contacto con medios peligrosos (p. ej. inflamables o tóxicos) medios nocivos para la salud (p. ej. corrosivas, tóxicas, cancerígenas radioactivas) y con sistemas de refrigeración o compresores existe el peligro de lesiones corporales, daños materiales y del medio ambiente.

En caso de fallo es posible que haya medios agresivos con temperaturas extremas o de bajo presión en el instrumento.

- ▶ Con estos medios deben observarse en cada caso, además de todas las reglas generales, las disposiciones pertinentes.
- ▶ Utilizar el equipo de protección necesario.

5.1 La conexión mecánica

Para rosar el instrumento, la fuerza no debe aplicarse sobre la caja, sino únicamente sobre las superficies claves previstas para este fin, utilizando herramientas adecuadas.

Montaje mediante llave de boca



- Para conseguir buenos resultados el bulbo debe exponerse en toda su longitud a la temperatura a medir. La longitud mínima es la longitud de la parte activa que corresponde a la longitud del vaso de expansión de gas (longitud activa).

5. Puesta en servicio, funcionamiento

- Posicionar el sensor de temperatura en tuberías u otros puntos de medición con la máxima inclinación contra el sentido del flujo.
- Errores en la disipación del calor surgen cuando la temperatura del espacio de medición que se desea indicar es muy baja, de modo que la masa del sensor de temperatura aplica como capacidad térmica. Tales errores también pueden surgir debido a una insuficiente profundidad de montaje, si el dispositivo de fijación está sujeto a un efectivo conductor de calor (placas de metal o semejantes) y si existe una diferencia considerable de temperatura entre el elemento sensible y el elemento de fijación.
- La caja del indicador debe montarse de modo libre de vibraciones. Si es necesario, se puede conseguir el desacoplamiento del lugar de instalación mediante un conducto flexible desde el punto de medición al termómetro y una fijación mediante un soporte del instrumento.

ES

Requerimientos en el lugar de instalación

Si el tubo que conecta al instrumento de medición no fuera suficientemente estable para asegurar una conexión exenta de vibraciones, se debería efectuar la sujeción mediante un soporte de aparatos de medición. En el caso de no poder evitar las vibraciones mediante las instalaciones apropiadas, deben instalarse instrumentos llenados. Los instrumentos deben protegerse contra contaminación y fuertes oscilaciones de la temperatura ambiente.

Oscilación admisible en el lugar de instalación

Instalar los instrumentos sólo en lugares sin oscilaciones. Si es necesario, se puede conseguir el desacoplamiento del lugar de instalación mediante un conducto flexible desde el punto de medición al instrumento y una fijación mediante un soporte de instrumento.

Si esto no es posible, no se debe sobrepasar en ningún caso los siguientes valores límites:

Rango de frecuencias < 150 Hz

Aceleración < 0,5 g (5 m/s²)

5. Puesta en servicio, funcionamiento

Comprobar periódicamente el llenado de líquido

El nivel de líquido no debe caer por debajo del 75 % del diámetro del instrumento.

Fuertes sacudidas, oscilaciones y vibraciones provocan imprecisiones de indicación, aumentan el desgaste en el mecanismo de medición y las roturas en los puntos de soldadura.

En la instalación de un termómetro de dilatación de gas con caja giratoria y orientable se debe seguir unas instrucciones específicas. Para posicionar el indicador de forma deseada es imprescindible observar los siguientes pasos:

1. Soltar la contratuerca o la tuerca de unión en el racor de proceso.
2. Soltar tornillos hexagonales y de ranura en la articulación virable.



soltar

¡Asegurarse de soltar también los tornillos del lado opuesto!

3. Posicionar el indicador, apretar los tornillos hexagonales y de ranura y finalmente apretar firmemente la contratuerca o la tuerca de unión.

ES

5. Puesta en servicio, funcionamiento

5.2 Conexión eléctrica

La conexión eléctrica sólo la puede realizar personal especializado y cualificado. Integrar el instrumento en la conexión equipotencial de la instalación.

→ Información de rendimiento, véase el capítulo 10 “Datos técnicos”

La conexión eléctrica del transmisor se establece mediante un conector angular. Los detalles del conexionado pueden verse en el esquema de conexión siguiente. Dichos detalles, así como la señal de salida y la alimentación auxiliar necesaria figuran también en la placa de identificación.

Alimentación auxiliar

El aparato sólo se debe utilizar en combinación con un separador de alimentación Ex adecuado.

Separador de alimentación Ex adecuado:

Modelo KFD2-STC4-Ex1, DC 20 ... 35 V, para carril DIN

Código: 2341268

Indicaciones de seguridad para la instalación

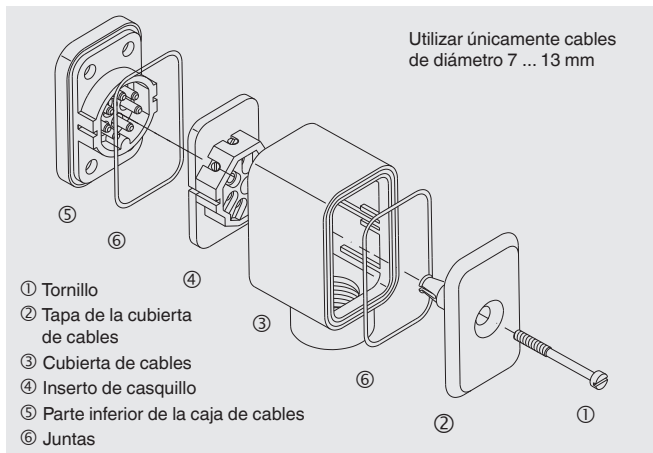
- Instalar los instrumentos conforme a las indicaciones del fabricante y de las normas y reglamentos vigentes.
- Conectar a los contactos eléctricos y líneas de conexión del instrumento solamente circuitos eléctricos con la misma tensión o el mismo tipo de protección.
- Dimensionar las líneas de conexión para el máximo amperaje de los circuitos eléctricos y también prestar atención a que la resistencia mecánica y UV sea suficiente.
- En caso de líneas de conexión flexibles utilizar virolas aisladas. Sección de cable máxima permitida 1,5 mm².
- Las líneas de conexión deben ser adecuadas para el rango de temperatura ambiente de la aplicación.
- Las líneas de conexión también deben ser adecuadas para el prensa-estopa suministrado (véase más abajo para el rango de diámetros).
- Sellar las entradas de cable con racores debidamente aprobados.
- Tender el cable de conexión de forma fija.
- El termómetro de dilatación de gas con encoder incorporado tiene que tomar tierra a través de la caja del termómetro y además mediante la pinza de tierra en el conector angular.

ES

5. Puesta en servicio, funcionamiento

Desmontaje del conector hembra

La caja de conexiones está premontada y debe desmontarse como se describe a continuación.

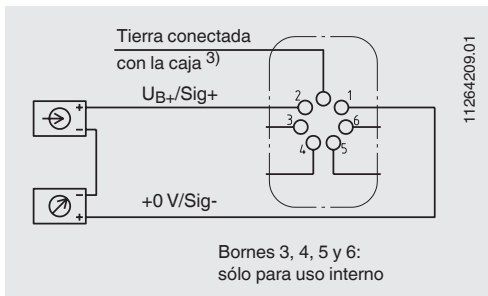


- Con un destornillador de ranura (0,6 x 3,5 mm), aflojar completamente y retirar el tornillo de la cubierta de la caja de conexiones.
- Retirar la caja de conexiones junto al inserto de casquillo de la parte inferior de la caja (unida de forma fija al instrumento).
- Retirar la tapa de la caja de conexiones y presionar hacia abajo el inserto de casquillo, completamente a través de la caja.

ES

5. Puesta en servicio, funcionamiento

Detalles del conexionado del conector hembra



Cable	Conector	Asignación
Rojo	Pin 1	$U_{B+}/I+$
Negro	Pin 4	0 V/I-
Marrón	Pin 2	n.c.
- - -	Pin 3	n.c.

Significado de las designaciones de bornes utilizadas:

U_{B+}	Borne positivo de la alimentación
0 V	Borne negativo de la alimentación
Sig+	Borne positivo de la señal de salida
Sig-	Borne negativo de la señal de salida

Integrar los instrumentos en la conexión equipotencial de la instalación.

Asignación de los bornes de conexión

Los bornes 1 y 2 son los bornes de conexión para la salida de señales o para la alimentación de corriente. El borne señalizado con PE (protective earth, conductor de puesta a tierra) va internamente unido a la caja. Las conexiones 3 a 6, o 4 a 6 en la variante con 3 hilos deben dejarse libres y tampoco pueden utilizarse como puntos de apoyo (véase también el capítulo 10 "Datos técnicos").

5.3 Utilización de vainas

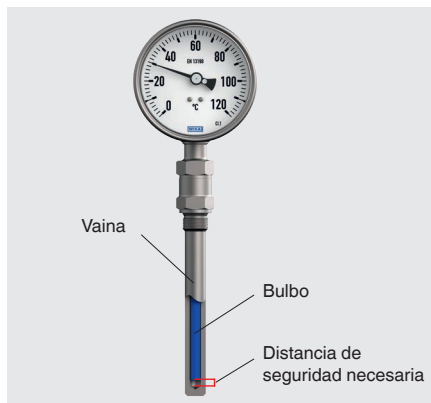


¡CUIDADO!

Daños debido a manipulación errónea

Si se utilizan vainas, hay que asegurarse de que el bulbo no tenga contacto con el fondo de la vaina porque los diferentes coeficientes de dilatación de los materiales pueden causar la deformación del bulbo en el fondo de la vaina.

- ▶ Emplear una longitud de montaje adecuada (Fórmula para calcular la longitud de montaje l_1 , véase la correspondiente hoja técnica de la vaina).



5.4 Agentes de contacto térmico

Si se utilizan vainas, reducir la resistencia de transferencia de calor entre la pared exterior del sensor y la pared interior de la vaina llenando ésta con un agente de contacto. La temperatura de trabajo de la pasta térmica está entre -40 ... +200 °C.



¡ADVERTENCIA!

Lesiones corporales y daños materiales debido a salpicaduras de aceite

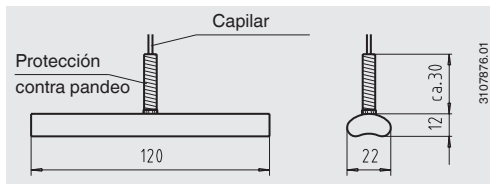
Al cargar un agente de contacto térmico en vainas calientes, existe el peligro de lesiones corporales y daños materiales debido a salpicaduras de aceite.

- ▶ No llenar en vainas calientes

6. Instrucciones de montaje para la sonda de contacto

ES

El sensor de contacto está previsto para el montaje en la superficie de tuberías y depósitos. El montaje debe hacerse de modo que el sensor de contacto apoye en toda su longitud sobre la superficie de medición. La condición para obtener un resultado correcto de medición es un buen acoplamiento térmico del sensor de contacto a la pared exterior del tubo o del depósito, además de una disipación de calor muy baja del punto de medición y el sensor de contacto al entorno.

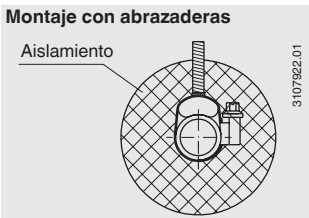


6. Indicaciones de montaje para sonda de contacto

6.1 Montaje en tubería

La geometría del sensor de contacto se ajusta a tubos con un diámetro exterior entre 20 y 160 mm. Para fijar el sensor al tubo, basta con utilizar unas abrazaderas. El sensor de contacto necesita un contacto metálico directo en el punto de medición y debe colocarse con fuerza sobre

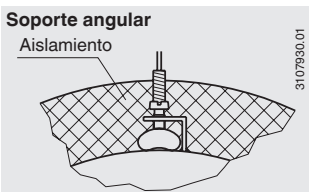
la superficie del tubo. Mientras las temperaturas se mantienen debajo de 200 °C se puede colocar una pasta de transmisión entre el sensor de contacto y el tubo para optimizar el traspaso de calor. Para evitar errores de disipación de calor se debe colocar un aislamiento en el punto de medición. Este aislamiento debe presentar una resistencia suficiente a la temperatura y no debe formar parte del alcance del suministro.



6.2 Montaje en depósitos

La geometría del sensor de contacto está adaptada a depósitos con diámetros exteriores de hasta 80 mm. En caso de que dicho diámetro sea superior a 80 mm en el lugar de montaje del sensor, recomendamos la utilización de una pieza intermedia, ajustada al diámetro

correspondiente y fabricada de un material con buena conductividad térmica. El sensor de contacto puede fijarse al depósito, por ejemplo, con un perfil angular de acero con tornillos de presión. El sensor de contacto necesita un contacto metálico directo en el punto de medición y debe colocarse con fuerza sobre la superficie del tubo.



En caso de que las temperaturas sean inferiores a 200 °C, se puede colocar una pasta térmica de calor entre el sensor de contacto y el tubo, a fin de optimizar la transmisión de calor. Para evitar errores de disipación de calor se debe colocar un aislamiento en el punto de medición. Este aislamiento debe presentar una resistencia suficiente a la temperatura y no debe formar parte del alcance del suministro.

7. Errores



¡PELIGRO!

Riesgo de muerte por explosión

El uso en atmósferas fácilmente inflamables causa peligros de explosión que pueden causar la muerte.

- ▶ ¡Eliminar defectos sólo en atmósferas no inflamables!



¡CUIDADO!

Lesiones corporales, daños materiales y del medio ambiente

Si no se pueden solucionar los defectos mencionados se debe poner el dispositivo inmediatamente fuera de servicio.

- ▶ Asegurar que el dispositivo no queda expuesto a presión o una señal y protegerlo contra usos accidentales.
- ▶ Contactar con el fabricante.
- ▶ En caso de devolución, observar las indicaciones del capítulo 9.2 “Devolución”.



¡ADVERTENCIA!

Lesiones corporales, daños materiales y del medio ambiente causados por medios peligrosos

En caso de contacto con medios peligrosos (p. ej. oxígeno, acetileno, inflamables o tóxicos) medios nocivos para la salud (p. ej. corrosivas, tóxicas, cancerígenas radioactivas) y con sistemas de refrigeración o compresores existe el peligro de lesiones corporales, daños materiales y del medio ambiente. En caso de fallo es posible que haya medios agresivos con temperaturas extremas o de bajo presión o que haya un vacío en el instrumento.

- ▶ Con estos medios deben observarse en cada caso, además de todas las reglas generales, las disposiciones pertinentes.
- ▶ Utilizar el equipo de protección necesario.



Datos de contacto véase el capítulo 1 “Información general” o parte posterior del manual de instrucciones.

7. Errores / 8. Mantenimiento y limpieza

Errores	Causas	Medidas
Ninguna señal de salida	No hay tensión de alimentación o rotura de conductor	Revisar alimentación de energía y cables. En caso necesario, reemplazar las piezas defectuosas
	Conexión incorrecta del transmisor	Comprobar las conexiones y en caso necesario corregirlas
	Sistema electrónico averiado debido a alimentación auxiliar demasiado elevada o a tensión ajena	Enviar el instrumento de medición de vuelta al fabricante para reparación
Señal de salida constante con cambio de temperatura	Energía auxiliar erróneamente conectada (polaridad invertida) ($I = \text{aprox. } 0 \text{ mA}$)	Comprobar la conexión de terminales e intercambiar bornes 1 y 2 en caso necesario
	Transmisor averiado	Enviar el instrumento de medición de vuelta al fabricante para reparación
Señal de salida demasiado elevada y constante con cambio de temperatura	Sistema electrónico averiado debido a alimentación auxiliar demasiado elevada o a tensión ajena	Enviar el instrumento de medición de vuelta al fabricante para reparación
La señal se va a fondo de escala	Alimentación auxiliar demasiado baja	Corregir la alimentación auxiliar
	Carga demasiado alta	Observar la carga máxima admisible

Para la sustitución del instrumento, tener en cuenta los capítulos 9 “Desmontaje, devolución y eliminación de residuos” y 5 “Puesta en servicio, funcionamiento”.

8. Mantenimiento y limpieza

8.1 Mantenimiento

Los instrumentos no requieren mantenimiento.

Controlar el instrumento y la función de conmutación una o dos veces al año. Para eso, se puede separar el instrumento del proceso y controlarlo con un dispositivo de calibración de temperatura.

8. Mantenimiento y limpieza

Inspección de dispositivos llenos

En caso de instrumentos llenados se debe controlar el nivel de carga una o dos veces por año. El nivel de líquido no debe caer por debajo del 75 % del diámetro del instrumento.



¡ADVERTENCIA!

Peligro de muerte debido a un llenado o rellenado inadmisibles del instrumento con pérdida de la protección contra explosiones.

El llenado/rellenado del equipo por personas no autorizadas ocasionará la pérdida de la protección contra explosiones y puede resultar en daños al equipo.

- ▶ Haga reparar los aparatos sólo por personal autorizado.
- ▶ En caso de devolución, observar las indicaciones del capítulo 9.2 "Devolución".

Todas las reparaciones solamente las debe efectuar el fabricante.

8.2 Limpieza



¡CUIDADO!

Lesiones corporales, daños materiales y del medio ambiente

Una limpieza inadecuada provoca lesiones corporales, daños materiales y del medio ambiente. Medios residuales en el instrumento desmontado pueden causar riesgos para personas, medio ambiente e instalación.

- ▶ Realizar el proceso de limpieza tal como se describe a continuación.

1. Antes de proceder con la limpieza hay que separar debidamente el instrumento de cualquier fuente de presión, apagarlo y desenchufarlo de la red.
2. Utilizar el equipo de protección necesario.
3. Limpiar el instrumento con un trapo húmedo.
¡Asegurarse de que las conexiones eléctricas no entran en contacto con humedad!

8. Mantenimiento y limpieza / 9. Desmontaje ...



¡CUIDADO!

Daño al dispositivo

¡Una limpieza inadecuada puede dañar el dispositivo!

- ▶ No utilizar productos de limpieza agresivos.
- ▶ No utilizar ningún objeto puntiagudo o duro para la limpieza.

4. Enjuagar y limpiar el dispositivo desmontado para proteger a las personas y el medio ambiente contra peligros por medios residuales adherentes.

ES

9. Desmontaje, devolución y eliminación de residuos



¡ADVERTENCIA!

Lesiones corporales, daños materiales y del medio ambiente por medios residuales

Medios residuales en el instrumento desmontado pueden causar riesgos para personas, medio ambiente e instalación.

- ▶ Utilizar el equipo de protección necesario.
- ▶ Observar la ficha de datos de seguridad correspondiente al medio.
- ▶ Enjuagar y limpiar el dispositivo desmontado para proteger a las personas y el medio ambiente contra peligros por medios residuales adherentes.

9.1 Desmontaje



¡ADVERTENCIA!

Riesgo de quemaduras

Peligro debido a medios muy calientes que se escapan durante el desmontaje.

- ▶ ¡Dejar enfriar el instrumento lo suficiente antes de desmontarlo!

9. Desmontaje, devolución y eliminación de ...



¡PELIGRO!

Peligro de muerte por corriente eléctrica

Existe peligro directo de muerte al tocar piezas bajo tensión.

- ▶ El desmontaje del instrumento solo puede ser realizado por personal especializado.
- ▶ Desmontar el instrumento solo en estado de desconexión de la red.



¡ADVERTENCIA!

Lesión corporal Al desmontar existe el peligro debido a los medios agresivos y altas presiones.

- ▶ Observar la ficha de datos de seguridad correspondiente al medio.
- ▶ Desmontar el instrumento solo si no está sometido a presión.

En caso necesario hay que destensar la línea de medición. En manómetros con membrana no se deben soltar los tornillos de sujeción de la bridas superior e inferior no deben soltarse.

9.2 Devolución

Es imprescindible observar lo siguiente para el envío del instrumento:

Todos los instrumentos enviados a WIKA deben estar libres de sustancias peligrosas (ácidos, lejías, soluciones, etc.) y, por lo tanto, deben limpiarse antes de devolver.



¡ADVERTENCIA!

Lesiones corporales, daños materiales y del medio ambiente por medios residuales

Medios residuales en el instrumento desmontado pueden causar riesgos para personas, medio ambiente e instalación.

- ▶ En caso de sustancias peligrosas adjuntar la ficha de datos de seguridad correspondiente al medio.
- ▶ Limpiar el dispositivo, consultar el capítulo 8.2 "Limpieza".

Utilizar el embalaje original o un embalaje adecuado para la devolución del instrumento.



Comentarios sobre el procedimiento de las devoluciones encuentra en el apartado “Servicio” en nuestra página web local.

9.3 Eliminación de residuos

Una eliminación incorrecta puede provocar peligros para el medio ambiente. Eliminar los componentes de los instrumentos y los materiales de embalaje conforme a los reglamentos relativos al tratamiento de residuos y eliminación vigentes en el país de utilización.

ES



No eliminar junto a la basura doméstica. Asegurar la eliminación adecuada de acuerdo con las regulaciones nacionales.

10. Datos técnicos



¡PELIGRO!

Peligro de muerte debido a la pérdida de la protección contra explosiones

La inobservancia de la información para su uso en zonas potencialmente explosivas conduce a la pérdida de la protección contra explosiones.

- ▶ Observar los valores límite y las indicaciones técnicas detallados a continuación.
- ▶ La caja contiene piezas de material no metálico que pueden verse afectadas negativamente por las condiciones ambientales. Debe asegurarse de que las piezas no metálicas no se dañen debido a condiciones ambientales.

Partes no metálicas de la caja

PUR, TPU, PA 6, EPDM, NBR (opción), FMQ (opción)

10. Datos técnicos

10.1 Conexión eléctrica

Conector hembra para cable estándar

Conector hembra montado en el lado derecho de la caja

Material: PA 6, negro

Según VDE 0110 grupo de aislamiento C/250 V

Prensaestopa M20 x 1,5 (hacia abajo) con descarga de tracción

6 bornes de tornillo + conductor protector para sección de conductor de 1,5 mm²

Salida de cable

Longitud del cable 2 m ò 5 m, salida hacia abajo a la derecha

Material: PVC

Conector miniatura

Conector miniatura M8 x 1 (4-pin)

ES

10.2 Electrónica de transmisores para zonas Ex

Modelo 892.44

Señal de salida	Variante 2: 4 20 mA, 2 hilos, para zonas potencialmente explosivas
Alimentación auxiliar U_B	DC 14 ... 30 V
Influencia de la alimentación auxiliar	< 0,1 % del valor final/10 V
Ondulación residual admisible de U_B	≤ 10 % ss
Carga máxima admisible R_A	$R_A \leq (U_B - 12 \text{ V})/0,02 \text{ A}$ con R_A en ohmios y U_B en voltios, pero máx. 600 Ω
Influencia de la carga	$\leq 0,1$ % del valor final
Estabilidad a largo plazo sistema electrónico	< 0,3 % del valor final por año
Señal de salida	≤ 1 % del span de medición
Desviación de la curva característica	≤ 1 % del span de medición (ajuste de puntos límite)
Resolución	0,13 % del valor final (resolución 10 bit a 360°)
Frecuencia de actualización (frecuencia de medición)	600 ms

10. Datos técnicos

Valores máximos de seguridad

U_i	I_i	P_i	C_i	L_i
DC 30 V	100 mA	720 mW	11 nF	despreciable

Para más información, véase el anexo “Declaración de conformidad UE”

10.3 Termómetros de dilatación de gas con señal de salida eléctrica

Termómetros de dilatación de gas modelo TGT73

Elemento sensible	Relleno de gas inerte a presión
Diámetro nominal	<ul style="list-style-type: none">■ 100■ 160
Versión del instrumento	<ul style="list-style-type: none">■ Conexión dorsal (axial)■ Conexión inferior (radial)■ Conexión dorsal, giratoria y orientable■ Instrumentos con capilar
Clase de exactitud	Clase 1 según EN 13190 a 23 °C ±10 °C temperatura ambiente
Rango de servicio	
Carga a largo plazo (1 año)	Rango de medida (EN 13190)
a corto plazo (máx. 24 h)	Rango de indicación (EN 13190)
Materiales en contacto con el medio	
Conexión a proceso	Acero inoxidable 304SS
Bulbo	Acero inoxidable 316SS
Materiales sin contacto con el medio	
Caja, anillo	Acero inoxidable 304SS
Esfera	Aluminio, blanco, subdivisión negra
Aguja	Aluminio, negro, microajuste
Tipo de protección según IEC/EN 60529	IP65
Temperatura ambiente admisible	-20 ... +60 °C [-4 ... +140 °F] sin/con líquido de relleno

ES

10. Datos técnicos

Datos eléctricos

Alimentación auxiliar U_B	
4 ... 20 mA (Ex)	DC $14 \leq U_B \leq 30$ V
Influencia de la alimentación auxiliar	< 0,1 % del valor final/10 V
Ondulación residual admisible	≤ 10 % ss
Carga máxima admisible R_A	$R_A \leq (U_B - 12 \text{ V})/0,02$ A con R_A en Ω y U_B en V, pero máx. 600 Ω
Influencia de la carga	$\leq 0,1$ % del valor final
Señal de salida	4 ... 20 mA, 2 hilos, pasivos
Valores máximos de seguridad	
Alimentación auxiliar U_i	máx. 30 V
Corriente de cortocircuito I_i	máx. 100 mA
Potencia P_i	máx. 0,72 W
Capacidad interna C_i	12 nF
Inductividad interna L_i	despreciable
Tasa de exploración sensor	600 ms
Desviación de la curva característica	$\leq 1,0$ % del margen (ajuste de puntos límite)
Exactitud de la señal de salida	0,2 % del valor final (solo electrónica)
Resolución	0,15 % del valor final (resolución 10 bit a 360°)
Frecuencia de actualización (frecuencia de medición)	> 1/s
Señal de entrada ángulo de giro	0 ... 270 \sphericalangle °
Estabilidad a largo plazo sistema electrónico	< 0,3 % del valor final/a
Error de temperatura en la electrónica	< 0,3 % del valor final/10 K (en todo el rango de temperatura)
Tiempo de calentamiento	≤ 5 min
Conexión eléctrica	Mediante conector angular, giratorio de 180 °C, máx. 1,5 mm ² , protección de hilo, racor M20 x 1,5, diámetro exterior del cable 7 ... 13 mm, incluyendo alivio de tracción

ES

10. Datos técnicos

Datos eléctricos

Asignación de los bornes de conexión según variante de la señal de salida	Clase	4 ... 20 mA
	1	GND
	2	I+
	3	reservado
	4	reservado
	5	reservado
	6	reservado

Para más datos técnicos, consulte la hoja técnica de WIKA TV 17.10 y la documentación de pedido.

ES



EU-Konformitätserklärung EU Declaration of Conformity

Dokument Nr.: 14336003.01
Document No.:

Wir erklären in alleiniger Verantwortung, dass die mit CE gekennzeichneten Produkte
We declare under our sole responsibility that the CE marked products

Typebezeichnungen: TGT73.1x0 mit Option / with option +892.44 ⁽¹⁾
Type Designation: TGS55.1x0 mit Option / with option +831 oder / or +831-^a ⁽¹⁾
TGS73.1x0 mit Option / with option +831 oder / or +831-^a ⁽¹⁾

Beschreibung: Thermometer mit elektrischem Ausgang
Description: Temperature gauges with electrical output

gemäß gültigen Datenblättern: TV 17.10, TV 25.01, TV 27.01
according to the valid data sheets:

die wesentlichen Schutzanforderungen der folgenden Richtlinien erfüllen: Harmonisierte Normen:
comply with the essential protection requirements of the directives: Harmonized standards:

2011/65/EU	Gefährliche Stoffe (RoHS) Hazardous substances (RoHS)	EN 50581:2012
2014/30/EU	Elektromagnetische Verträglichkeit (EMV) Electromagnetic Compatibility (EMC)	EN 61326-1:2013 ⁽²⁾ EN 61326-2-3:2013 ⁽²⁾ EN 60947-5-2:2007 +A1:2012 ⁽³⁾ EN 60947-5-6:2000 ⁽³⁾
2014/34/EU	Explosionsschutz (ATEX) ⁽⁴⁾ Explosion protection (ATEX) ⁽⁴⁾	EN 60079-0:2012 +A11:2013 EN 60079-11:2012
	II 2G Ex ia IIC T6/T5/T4 Gb II 2D Ex ia IIIB T85°C/T95°C/T100°C/T135°C Db	

(1) x Nenngröße (NG): 0 = 100 mm / 6 = 160 mm
x Nominal size (NS):

* Optionen für Schaltkontakte (modellabhängig): N / SN / 3.5N / 3.5SN / 3.5S11
* Options for switches (depending on model):

(2) Für Modelle mit der Option: +892.44
For models with the option:

(3) Für Modelle mit mindestens einer der Optionen: +831, +831-^a
For models with at least one of the options:

(4) EU-Baumusterprüfbescheinigung CML 18ATEX2109X von CML B.V., Amsterdam (Reg.-Nr. 2776).
EU type-examination certificate CML 18ATEX2109X of CML B.V., Amsterdam (Reg. no. 2776).

Unterszeichnet für und im Namen von / Signed for and on behalf of

WIKAI Alexander Wiegand SE & Co. KG

Klingenberg, 2019-06-17

Alfred Häfner, Vice President
Process Instrumentation Pressure

Dr. Michael Glombitza, Head of Quality Management
Process Instrumentation Pressure

WIKAI Alexander Wiegand SE &
Co. KG
Alexander-Wiegand-Straße 30
63911 Klingenberg
Germany

Tel +49 9372 132-0
Fax +49 9372 132-405
E-Mail info@wika.de
www.wika.de

Kommanditgesellschaft: Sitz Klingenberg –
Amtsgericht Aschaffenburg HRA 1819

Komplementärin:
WIKAI International SE - Sitz Klingenberg –
Amtsgericht Aschaffenburg HRB 10505
Vorstand: Alexander Wiegand
Vorsitzender des Aufsichtsrats: Dr. Max Egli

16AR-02239



WIKA subsidiaries worldwide can be found online at www.wika.com.
WIKA-Niederlassungen weltweit finden Sie online unter www.wika.de.
La liste des filiales WIKA dans le monde se trouve sur www.wika.fr.
Sucursales WIKA en todo el mundo puede encontrar en www.wika.es.



WIKA Alexander Wiegand SE & Co. KG

Alexander-Wiegand-Straße 30

63911 Klingenberg • Germany

Tel. +49 9372 132-0

Fax +49 9372 132-406

info@wika.de

www.wika.de