

Bourdon tube pressure gauge, stainless steel

With VCR®-compatible process connections

Model 232.35

WIKA data sheet PM 02.11



for further approvals
see page 3

Applications

- Increased safety requirements for personal protection
- For gaseous, liquid and aggressive media, also in aggressive environments
- Semiconductor and flat panel industry
- Gas distribution systems, medical gases, hook-up application

Special features

- Safety Bourdon tube pressure gauge with solid baffle wall designed in compliance with the requirements and test conditions per EN 837-1
- VCR®-compatible process connections
- Helium leak tested
- Electropolished case (option)



**Bourdon tube pressure gauge, model 232.35.63,
VCR®-compatible process connection with
pressure screw**

Description

Due to its special VCR® connections, this high-quality Bourdon tube pressure gauge model 232.35 is frequently used in the semiconductor industry and in a wide variety of gas applications.

The often high purity requirements for these applications are ensured, for example, by separate packaging in plastic bags and electropolished cases (optional).

Scale ranges of 0 ... 1 to 0 ... 400 bar ensure the measuring ranges required for a wide variety of applications.


WIKA manufactures and qualifies the pressure gauge in accordance with the requirements of the EN 837-1 European standard in the "S3" safety version. The safety version is made up of a non-splintering window, a solid baffle wall between measuring system and dial and a blow-out back. In the event of a failure, the operator is protected at the front side, as media or components can only be ejected via the back of the case.

Specifications


Standard version	
Nominal size in mm	63
Accuracy class	1.6 Option: 1.0
Scale ranges	0 ... 1 to 0 ... 400 bar [0 ... 15 to 0 ... 6,000 psi] other units (e.g. psi, kPa) available or all other equivalent vacuum or combined pressure and vacuum ranges
Scale	Single scale Option: Dual scale
Pressure limitation	
Steady	3/4 x full scale value
Fluctuating	2/3 x full scale value
Short time	Full scale value
Connection location	<ul style="list-style-type: none"> ■ Lower mount (radial) ■ Lower back mount
Process connection (copper alloy)	<ul style="list-style-type: none"> ■ VCR®-compatible face seal fitting optionally: <ul style="list-style-type: none"> - with union nut - with pressure screw - male thread 9/16-18 UNF fixed ■ Weld-in connection others on request
Permissible temperature range	
Medium	-40 ... +100 °C [-104 ... +212 °F]
Ambient	max. +60 °C [+ 140 °F]
Temperature effect	max. ±0.4 %/10 K of full scale value (when the temperature deviates from 20 °C reference temperature)
Case	Safety version S3 per EN 837: With solid baffle wall (Solidfront) and blow-out back Option: Electropolished
Case filling	Without
Switch contacts (option)	<ul style="list-style-type: none"> ■ Magnetic snap-action contact (model 821) ■ Inductive contact (model 831) For use in hazardous areas, (ATEX / IECEx) ■ Electronic contact (model 830 E) ■ Reed contact (model 851) For use in hazardous areas, (ATEX / IECEx) For further information on switch contacts, see data sheet AC 08.01
Wetted materials	
Process connection, pressure element	<ul style="list-style-type: none"> ■ Stainless steel 316L, C-type ■ Stainless steel 316L, helical type
Non-wetted materials	
Case, bayonet ring, movement	Stainless steel
Dial	Aluminium, white
Instrument pointer	Aluminium, black
Set pointer	Aluminium, red
Window	Polycarbonate
Ingress protection per IEC/EN 60529	IP54

VCR® is a registered trademark of Swagelok

Approvals

Logo	Description	Country
	EU declaration of conformity Pressure equipment directive PS > 200 bar, module A, pressure accessory	European Union
-	CRN Safety (e.g. electr. safety, overpressure, ...) For scale ranges ≤ 1,000 bar	Canada

Optional approvals

Logo	Description	Country
	PAC Kazakhstan Metrology, measurement technology	Kazakhstan
-	PAC Ukraine Metrology, measurement technology	Ukraine
-	CPA Metrology, measurement technology	China

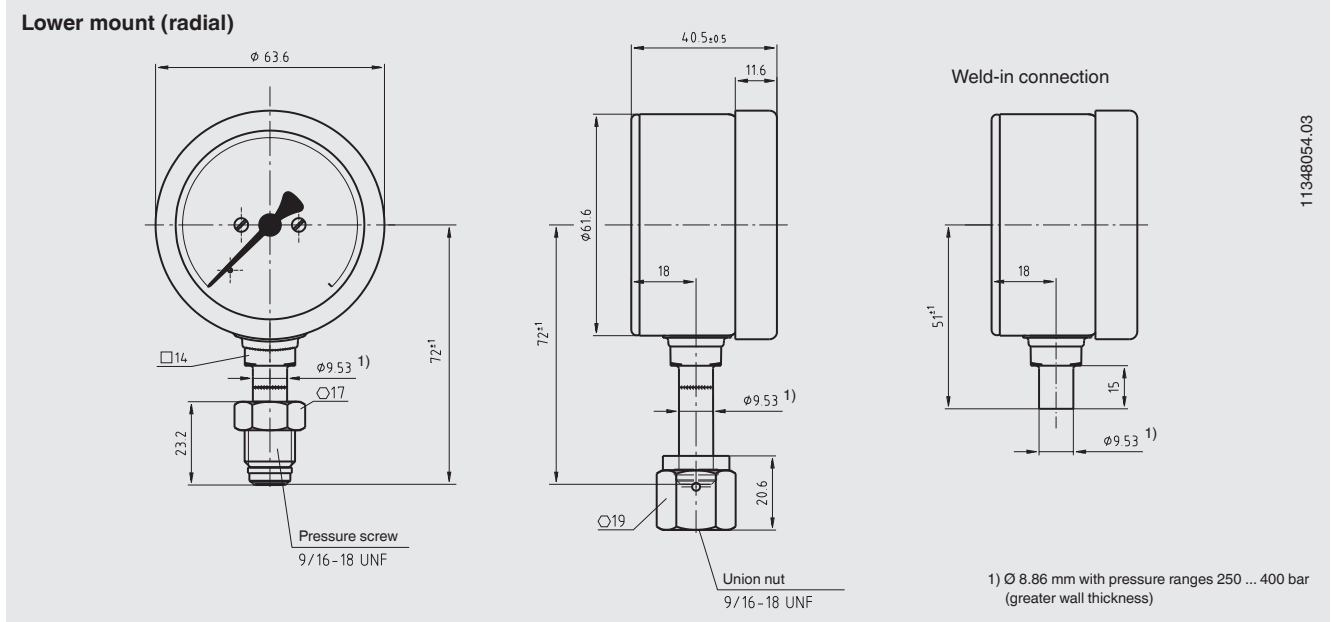
Certificates (option)

Certificates	
Certificates	<ul style="list-style-type: none"> ■ Relatório de teste 2.2 conforme EN 10204 (p. ex.: produção com tecnologia de ponta, exatidão da indicação) ■ Certificado de inspeção 3.1 conforme EN 10204 (p. ex., rastreabilidade do material das partes molhadas, exatidão da indicação)
Intervalo de calibração recomendado	1 year (dependent on conditions of use)

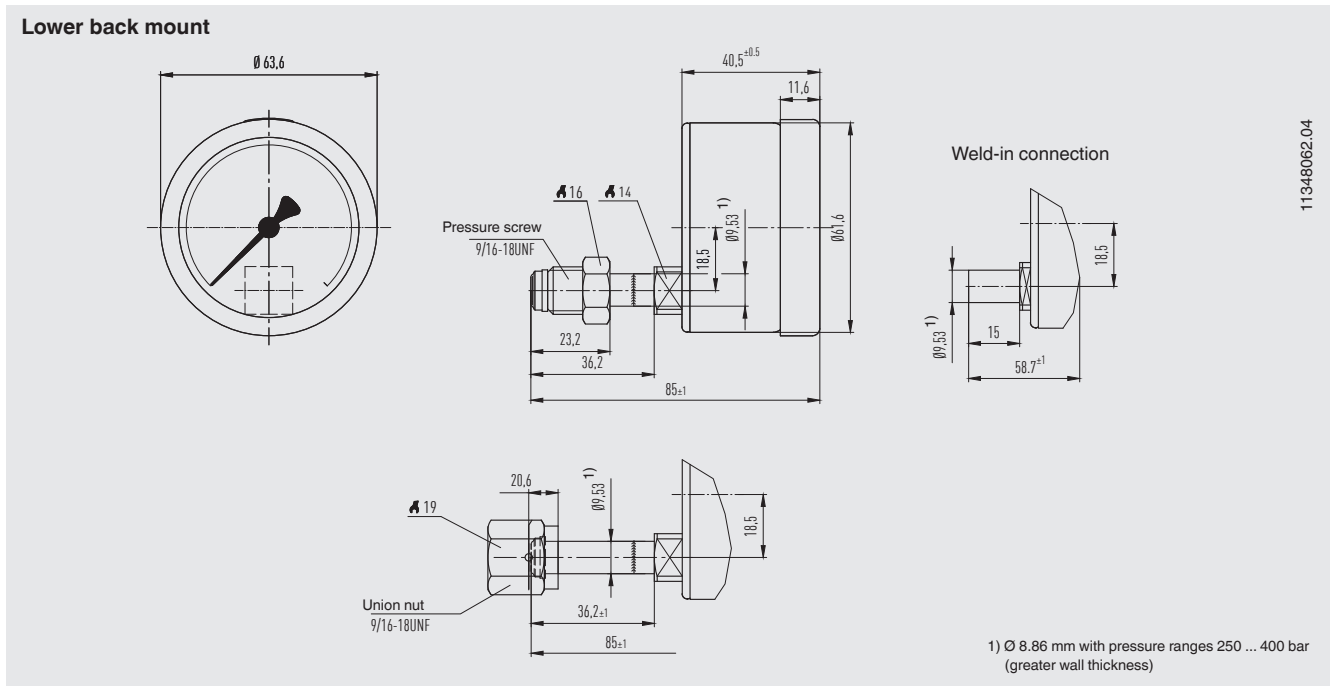
→ For approvals and certificates, see website

Dimensions in mm

Standard version



11348054.03



11348062.04

Ordering information

Model / Nominal size / Scale range / Process connection / Connection location / Options

© 05/2008 WIKA Alexander Wiegand SE & Co. KG, all rights reserved.
The specifications given in this document represent the state of engineering at the time of publishing.
We reserve the right to make modifications to the specifications and materials.

