

# Wedge flow meter

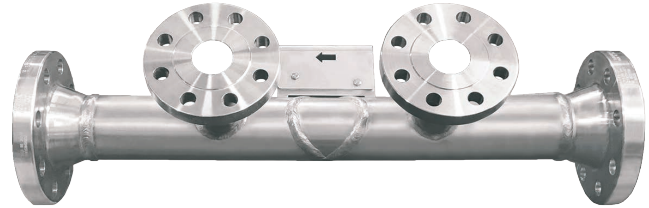
## For slurries and highly viscous media

### Model FLC-WG

WIKA data sheet FL 10.08

#### Applications

- Mining and basic materials industry
- Petrochemical industry
- Oil, gas and refineries
- Chemical and process industries
- Pulp and paper industry



#### Special features

- Low maintenance through robust design
- For highly viscous and particle-laden media
- Low permanent pressure loss
- For very high and very low Reynolds numbers
- Bi-directional flow measurement
- Per ISO 5167 part 6 (2019)

Wedge flow meter, model FLC-WG

#### Description

The model FLC-WG wedge flow meter consists of a pipe inside which a v-shaped wedge is fitted. Due to its design, the wedge flow meter is suitable for nearly all types of flow, especially for highly viscous, dirty, abrasive, slurry or muddy media, and also for flow with a very low Reynolds number of 300 up to very high Reynolds numbers of several million.

The wedge flow meter is suited for bi-directional measurement. The welded construction and wide range of materials ensure a reliable measurement, even under extreme pressure and temperature conditions or with aggressive media.

# Specifications

## Nominal size

½ ... 24"

## H/D ratios

0.2 / 0.3 / 0.4 / 0.5

## Accuracy (% of flow rate)

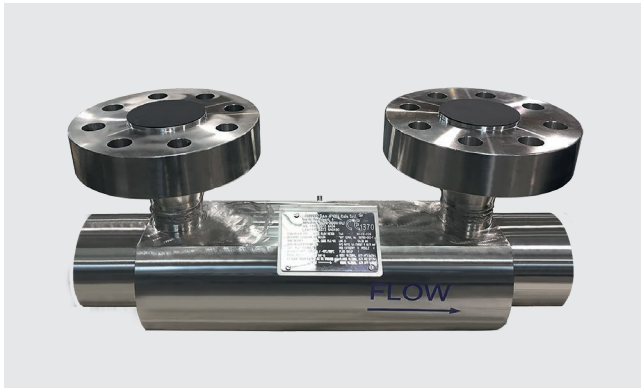
Nominal size	Wet calibrated	Uncalibrated
½ ... 24"	±0.5 %	±3 %

## Repeatability

±0.2 %

## Alignment

The wedge flow meter can be installed vertically or horizontally. For the best measuring results, follow the installation recommendations in the operating manual for the orientation of the tapping points.



## Max. operating pressure

The max. operating pressure of the wedge flow meter depends upon the pipe class and is limited through the maximum permissible operating pressure of the flange or the end connection.

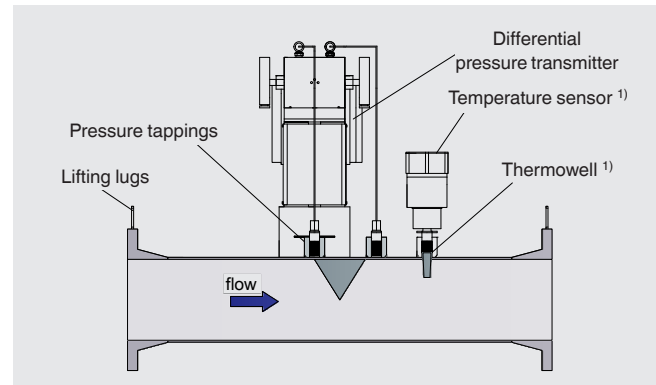
There are deviations due to the material and temperature characteristics of the respective flange design.

## Materials

- Carbon steel
- Low-temperature carbon steel
- Low-alloy steels
- Stainless steel
- Special materials on request (e.g. Hastelloy C276, Inconel 625, Monel 400, Duplex, Super Duplex etc.)

## Installation

In order to achieve the accuracy value specified above, the upstream and downstream straight pipe runs specified in the operating instructions must be observed.



1) On request

## Ordering information

Model / Nominal size / Nominal pressure / H/D ratio / Accuracy / Material

© 03/2017 WIKA Alexander Wiegand SE & Co. KG, all rights reserved.  
The specifications given in this document represent the state of engineering at the time of publishing.  
We reserve the right to make modifications to the specifications and materials.

